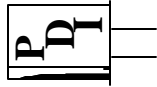
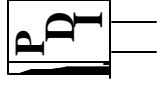


Precision Devices, Inc.



8840 N. Greenview Dr.
 Middleton, WI 53562
 Phone: 608-831-4445
 1-800-274-XTAL
 Fax: 608-831-3343



Visit our web site at www.pdixtal.com

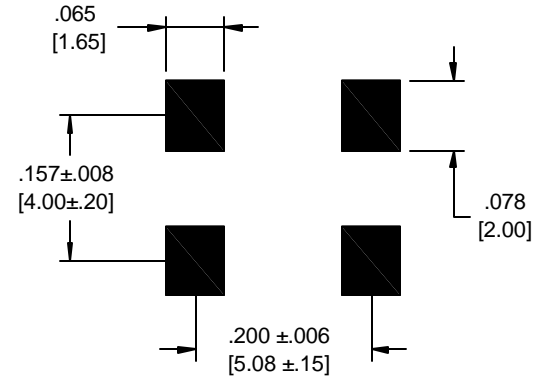
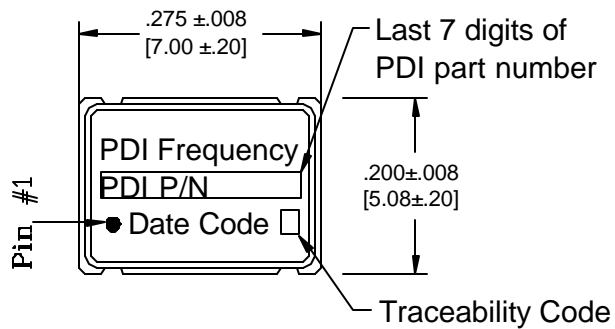
Sales Information sales@pdixtal.com

Electrical Specifications

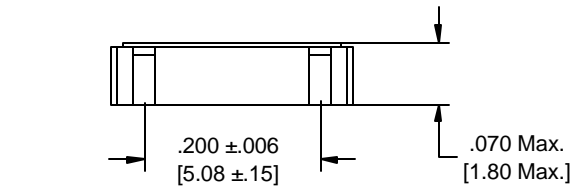
- Center Frequency: 12.000000 MHz
- Output: TTL/CMOS
- Frequency Calibration Tolerance: ± 25 ppm @ 25°C
- Operating Temperature Range: -55°C to +125°C
- Frequency Stability: ± 100 ppm
- Storage Temperature Range: -55°C to +125°C
- Duty Cycle: 60/40% @ 1.4Vdc Level
- T-Rise, T-Fall: 10nSec Max.
- Supply Current: 60mA Max.
- Supply Voltage: +5.0Vdc $\pm 10\%$
- Output Voltage:
 - "1" : +2.4Vdc Min.
 - "0" : +0.7Vdc Max.
- Output Current: 3mA Min.; 100mA Max.
- Storage Temperature Range: -55°C to +125°C
- Aging: ± 1 ppm/year Max.

The information contained in this drawing is the sole property of Precision Devices Inc. Any reproduction in part or as a whole without the written permission of Precision Devices Inc. is prohibited.

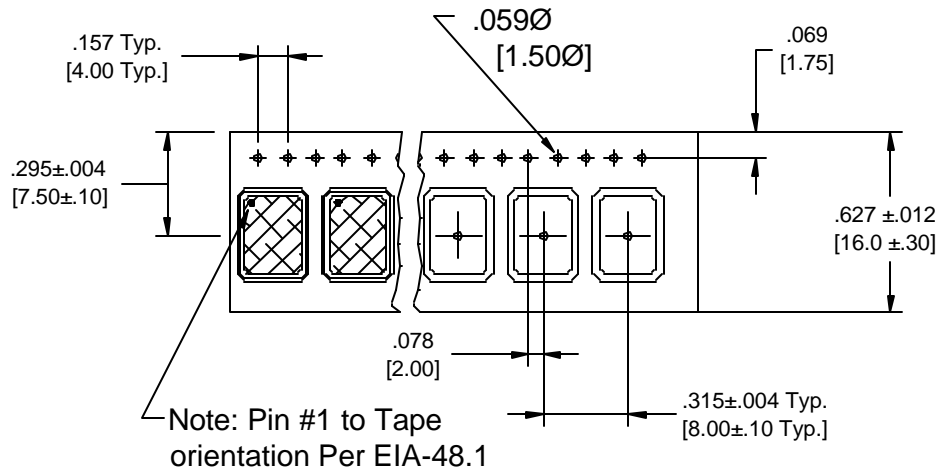
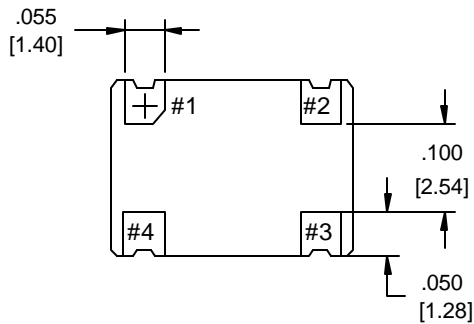
REV.	DATE	PAGE	DESCRIPTION	Auth.	ECN
FOR PRELIMINARY USE ONLY Specifications subject to change without notice.					
		TITLE Ceramic Oscillator Assembly		FKA 65478R	
PART NUMBER OC7N12000XCBERX					
		DATE 11/12/09	SCALE N.T.S.	ECN N/A	REV. N/A
		SIZE A	CAGE 0S4G1	Page 1 of 2	



Recommended Land Pattern



PIN	Connection
1	No Connect
2	Ground
3	Output
4	Vcc



Precision Devices Inc.

8840 N. Greenview Dr.
 Middleton WI 53562
 608-831-4445
 1-800-274-XTAL



Manufacturer of Quartz Crystal Products

DECIMAL	DWG FILE	PART NUMBER	
XX=±.020 XXX=±.008	65478R	OC7N12000XCBERX	
METRIC	SCALE	FREQUENCY	DRAWN BY
XX=±.50 XXX=±.20	N.T.S.	12.000000 MHz	J.Lawinger
ANGULAR	DRAWING TYPE	DATE	11/12/09
XX=±2°	Ceramic Oscillator Assembly	REV. LEVEL	ECN NO.
	N/A	N/A	CAGE CODE
			0S4G1