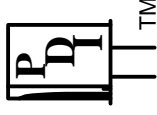


Precision Devices, Inc.



8840 N. Greenview Dr.
Middleton, WI 53562
Phone: 608-831-4445
1-800-274-XTAL
Fax: 608-831-3343



Visit our web site at www.pdixtal.com

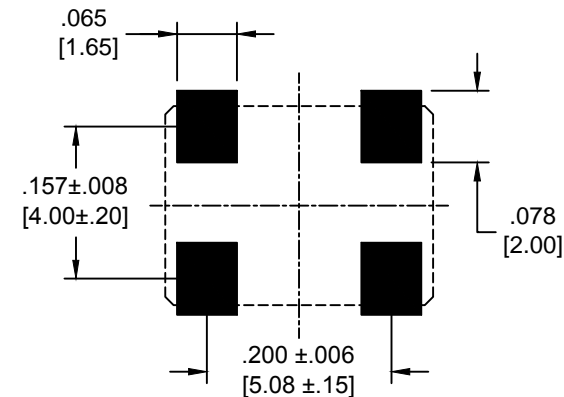
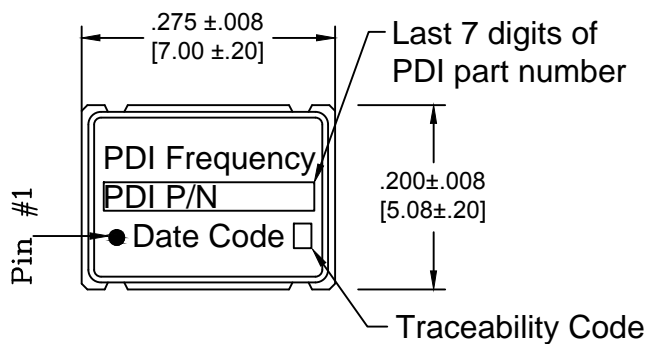
Sales Information sales@pdixtal.com

Electrical Specifications

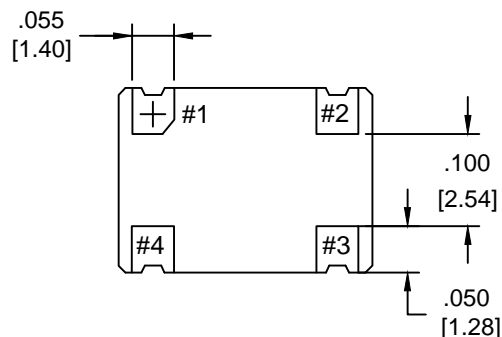
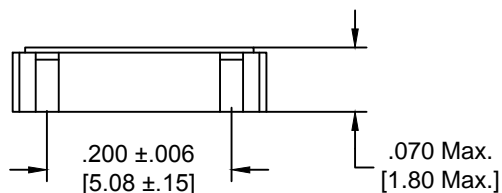
- Center Frequency: 125.000000 MHz
- Output: CMOS
- Frequency Tolerance @ 25°C: See Frequency Stability
- Operating Temperature Range: -40°C to +85°C
- Frequency Stability: ±50ppm (Including Calibration @25°C, Operating Temperature, Supply Voltage Variations, Aging 10 years, Load and reflow)
- Storage Temperature Range: -55°C to 125°C
- Duty Cycle: 45/55% measured @ 50% Vdd
- T-Rise: 2.0nS maximum measured @20 to 80% waveform
T-Fall: 2.0nS maximum measured @80 to 20% waveform
- Supply Current: Output Enabled: 35mA maximum
Output Disabled (Hi-Z): 10uA maximum
- Supply Voltage: +2.5Vdc±5%
- Output Voltage (CMOS): VOL: 10% Vdd
VOH: 90% Vdd
- Output Load: 15pF maximum,
- Phase Jitter: 1pS RMS maximum (12kHz to 40MHz frequency band)
- Total Jitter: 40pS maximum pk-pk (100,000 random periods)
- Output Enabled (pin 1): 70%Vdd minimum
- Output Disabled (pin 1): 30%Vdd maximum
- Internal Pull-up Resistance: 50K Ohms minimum
- Output Disable Delay: 100nS maximum
- Output Enable Delay: 1mS maximum
- Start-Up Time: 10 mS maximum

The information contained in this drawing is the sole property of Precision Devices Inc. Any reproduction in part or as a whole without the written permission of Precision Devices Inc. is prohibited.

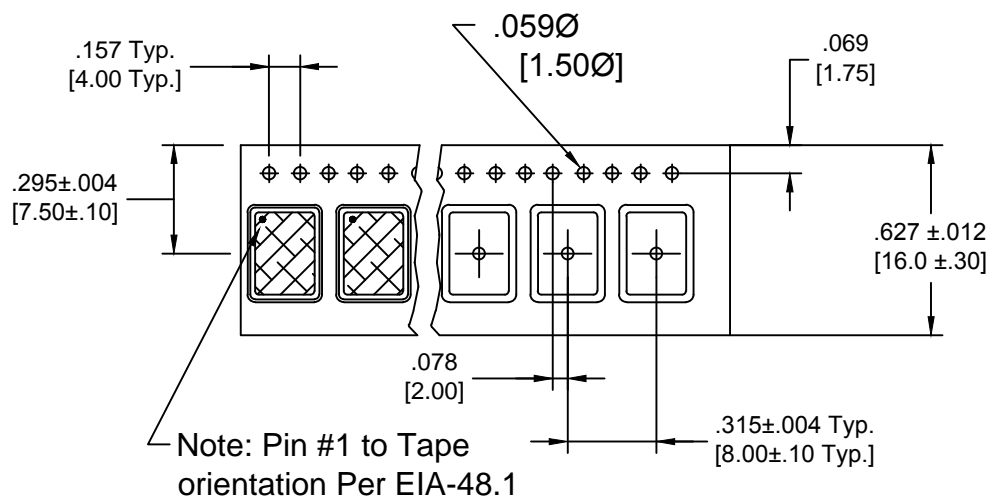
REV.	DATE	PAGE	DESCRIPTION	Auth.	ECN	Originator	Date	Engineering	Date
						D.G.	11/17/2011	B.A.A.	11/17/2011
						TITLE Ceramic Crystal Oscillator Assembly		FKA 6791R	
						PART NUMBER OC7EC12500CCDRB			
						DATE 11/17/2011	SCALE N.T.S.	ECN. N/A	REV. A
A	11/11	All	Original Release Updated	D.G.	N/A	SIZE A	CAGE 0S4G1		Page 1 of 2



Recommended Land Pattern



PIN	Connection
1	Tri-State
2	Ground
3	Output
4	Vcc



Precision Devices Inc.

8840 N. Greenview Dr.
 Middleton WI 53562
 608-831-4445
 1-800-274-XTAL



Manufacturer of Quartz Crystal Products

DECIMAL	DWG FILE	PART NUMBER	
XX=±.020 XXX=±.008	6791R	OC7EC12500CCDRB	
METRIC	SCALE	FREQUENCY	DRAWN BY
XX=±.50 XXX=±.20	N.T.S.	125.000000 MHz	J.Lawinger
ANGULAR	DRAWING TYPE	DATE	
XX=±2°	Ceramic Crystal Oscillator Assembly	11/17/2011	
	REV. LEVEL	ECN NO.	CAGE CODE
	A	N/A	0S4G1