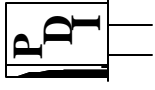


# Precision Devices, Inc.

8840 N. Greenview Dr.  
Middleton, WI 53562  
Phone: 608-831-4445  
1-800-274-XTAL  
Fax: 608-831-3343



Visit our web site at [www.pdixtal.com](http://www.pdixtal.com)

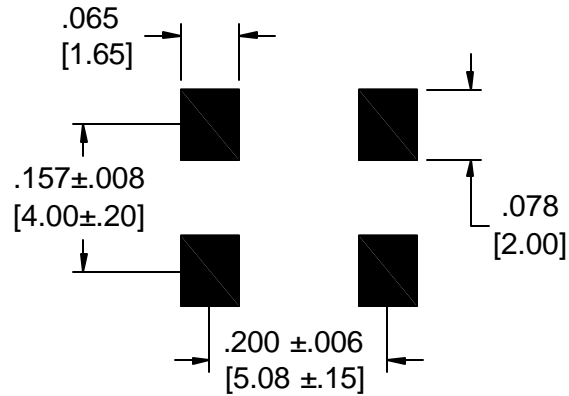
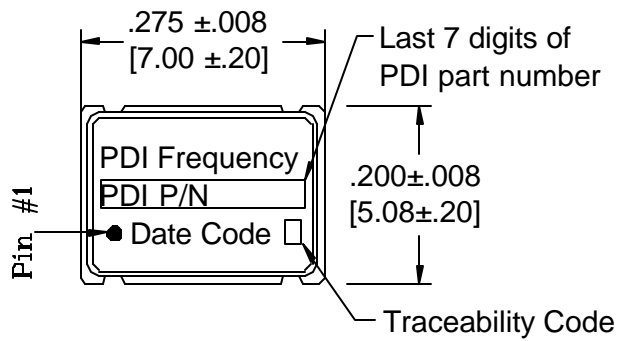
Sales Information [sales@pdixtal.com](mailto:sales@pdixtal.com)

## Electrical Specifications

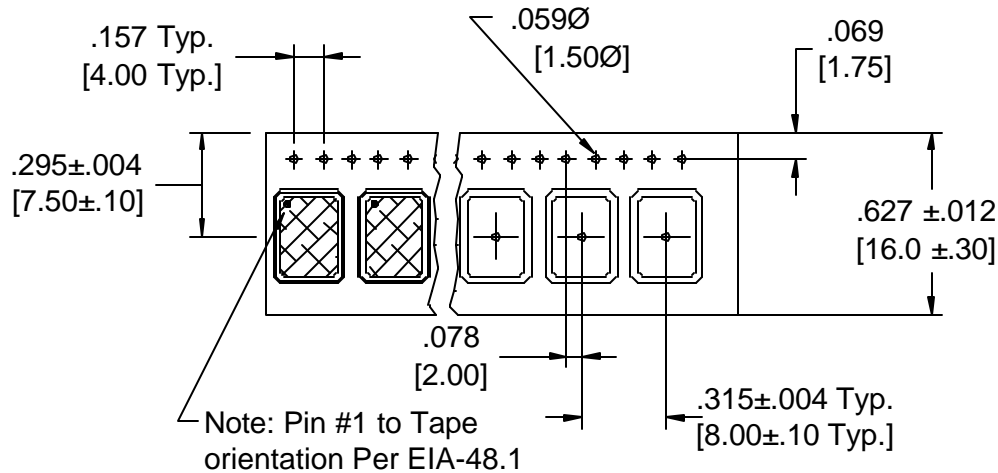
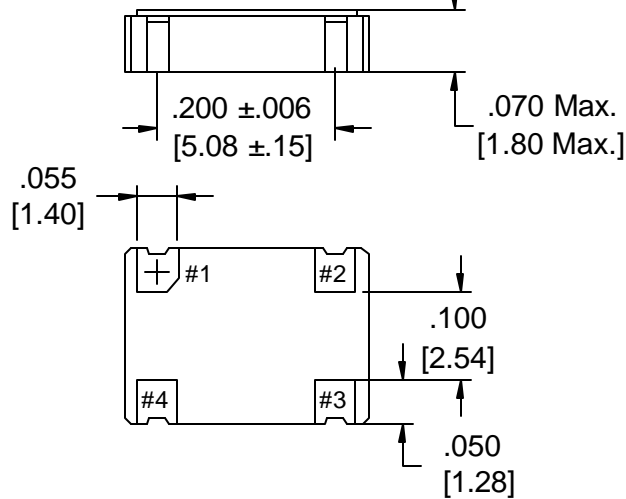
- Center Frequency: 108.000000 MHz
- Output: CMOS
- Frequency Tolerance@ +25°C: See Line 5
- Operating Temperature Range: -20°C to +70°C
- Frequency Stability: ±50ppm (Inclusive of tolerance, temperature, supply voltage, load and aging)
- Storage Temperature Range: -40°C to +85°C
- Duty Cycle: 40/60% Maximum
- T-Rise, T-Fall: 8nS Maximum
- Supply Current: 80mA Maximum
- Output load: 15pF
- Output Voltage: VOL: 0.1Vdd Maximum  
VOH: 0.9Vdd Minimum
- Supply Voltage: +3.3Vdc ±10%
- Phase Jitter (RMS): 3pS Maximum
- Start-up Time: 10mS Maximum

The information contained in this drawing is the sole property of Precision Devices Inc. Any reproduction in part or as a whole without the written permission of Precision Devices Inc. is prohibited.

REV.	DATE	PAGE	DESCRIPTION	Auth.	ECN	Originator	Date	Engineering	Date
						J.L.	3/5/09	B.A.	3/5/09
						TITLE Ceramic Oscillator Assembly		FKA	65078R
						PART NUMBER	<b>OC7EC10800CCBRX</b>		
						DATE	SCALE	ECN.	REV.
						3/5/09	N.T.S.	N/A	N/A
						SIZE	CAGE		Page 1 of 2
						A	0S4G1		



### Recommended Land Pattern



PIN	Connection
1	Enable/Disable
2	Ground
3	Output
4	Vcc



## Precision Devices Inc.

8840 N. Greenview Dr.  
Middleton WI 53562  
608-831-4445  
1-800-274-XTAL



Manufacturer of Quartz Crystal Products

DECIMAL	DWG FILE	PART NUMBER	
XX=±.020 XXX=±.008	65078R	OC7EC10800CCBRX	
METRIC	SCALE	FREQUENCY	DRAWN BY
XX=±.50 XXX=±.20	N.T.S.	108.000000 MHz	J.Lawinger
ANGULAR	DRAWING TYPE		DATE
XX=±2°	Crystal Oscillator Assembly		3/5/09
	REV. LEVEL	ECN NO.	CAGE CODE
	N/A	N/A	0S4G1