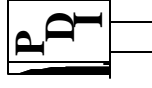


# Precision Devices, Inc.

8840 N. Greenview Dr.  
 Middleton, WI 53562  
 Phone: 608-831-4445  
 1-800-274-XTAL  
 Fax: 608-831-3343



Visit our web site at [www.pdixtal.com](http://www.pdixtal.com)

Sales Information [sales@pdixtal.com](mailto:sales@pdixtal.com)

## Electrical Specifications

- Center Frequency: 66.500000 MHz
- Output: TTL/CMOS
- Frequency Tolerance @ 25°C: See Frequency Stability
- Operating Temperature Range: -40°C to +85°C
- Frequency Stability: ±50ppm (Including Calibration @25°C, Operating Temperature, Supply Voltage Variations, Aging in 1 year)
- Storage Temperature Range: -55°C to 125°C
- Duty Cycle (TTL @1.4V, CMOS @50%Vcc): 45/55%
- T-Rise, T-Fall: 5.0nS maximum
- Supply Current: 50mA maximum
- Supply Voltage: +3.3Vdc ±0.15Vdc
- Output Voltage: TTL at 0.4V to 2.4V  
Output Voltage: CMOS at 10%Vcc to 90%Vcc
- Load Capacitance: 15pF
- Phase Jitter: 100ps maximum (peak to peak)
- Fanout (1 to 5 gates): 1.6mA/gate

- Note: 1) 6 days aging Minimum @ 105°C**  
**2) 24 hour settle time before 100% testing @ 25°C**  
**3) Sample Perturbation Test Every 1°C: ±5ppm Maximum**

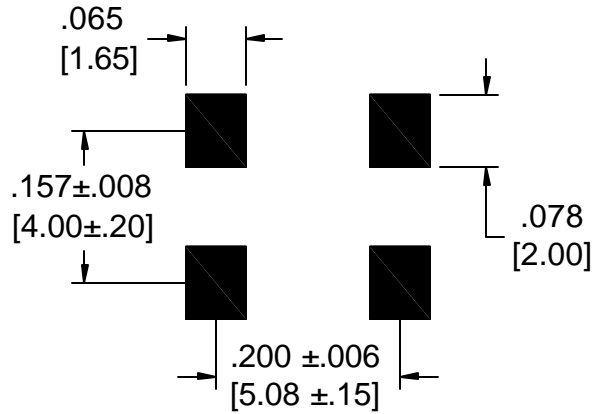
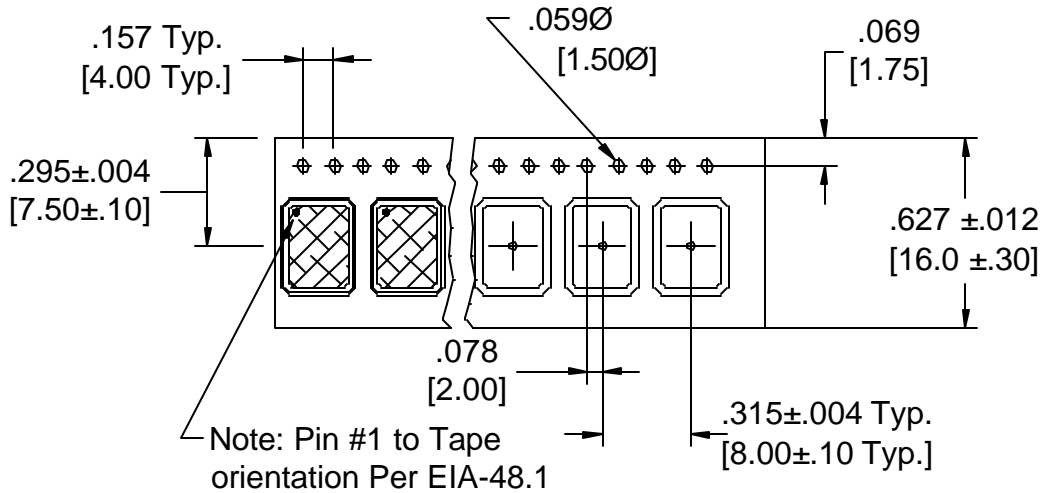
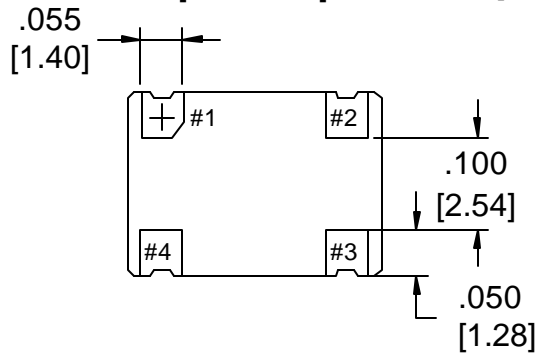
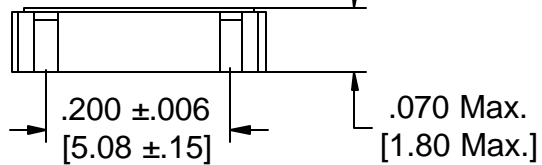
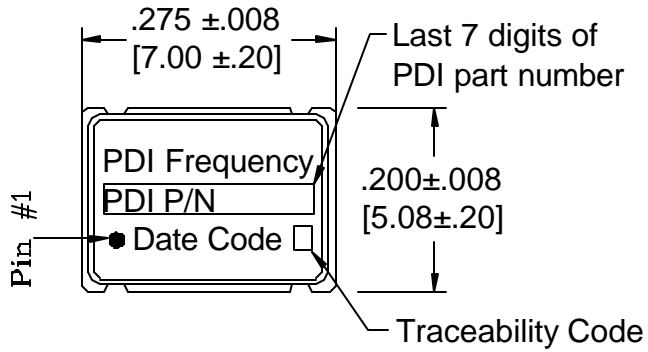
## Truth Table for Enable/Disable Function

Terminal 1 (Enable/Disable control)	Function	Function
Ground or ≤ 0.5V	Disabled	High Impedance
> 2.0V or Open (1)	Enabled	Active

**(1) Terminal 1 is normally high by an internal pull-up resistor.**

The information contained in this drawing is the sole property of Precision Devices Inc. Any reproduction in part or as a whole without the written permission of Precision Devices Inc. is prohibited.

REV.	DATE	PAGE	DESCRIPTION	Auth.	ECN	Originator	Date	Engineering	Date
						J.L.	1/9/09	C.S.	1/9/09
						TITLE		FKA	
						Ceramic Crystal Oscillator Assembly			6966R
						PART NUMBER		OC7E66500XCDDR <sup>X</sup>	
						DATE	SCALE	ECN.	REV.
						1/9/09	N.T.S.	E0850	A
A	12/08	1	Added Truth table to spec. sheet	J.L.	E0850	SIZE	CAGE	Page 1 of 2	
						A	0S4G1		



### Recommended Land Pattern

PIN	Connection
1	Enable/Disable
2	Ground
3	Output
4	Vcc



## Precision Devices Inc.

8840 N. Greenview Dr.  
Middleton WI 53562  
608-831-4445  
1-800-274-XTAL



Manufacturer of Quartz Crystal Products

DECIMAL	DWG FILE	PART NUMBER	
XX=±.020 XXX=±.008	6966R	<b>OC7E66500XCCDRX</b>	
METRIC	SCALE	FREQUENCY	DRAWN BY
XX=±.50 XXX=±.20	N.T.S.	66.500000 MHz	J.Lawinger
ANGULAR	DRAWING TYPE		DATE
XX=±2°	Ceramic Crystal Oscillator Assembly		1/9/09
	REV. LEVEL	ECN NO.	CAGE CODE
	A	E0850	0S4G1