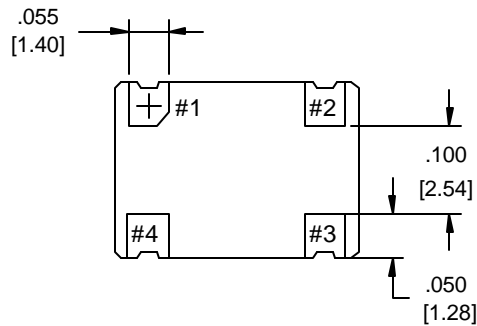
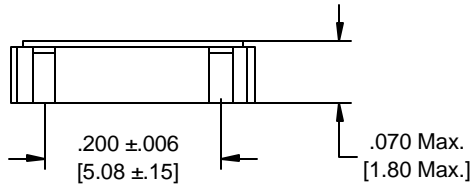
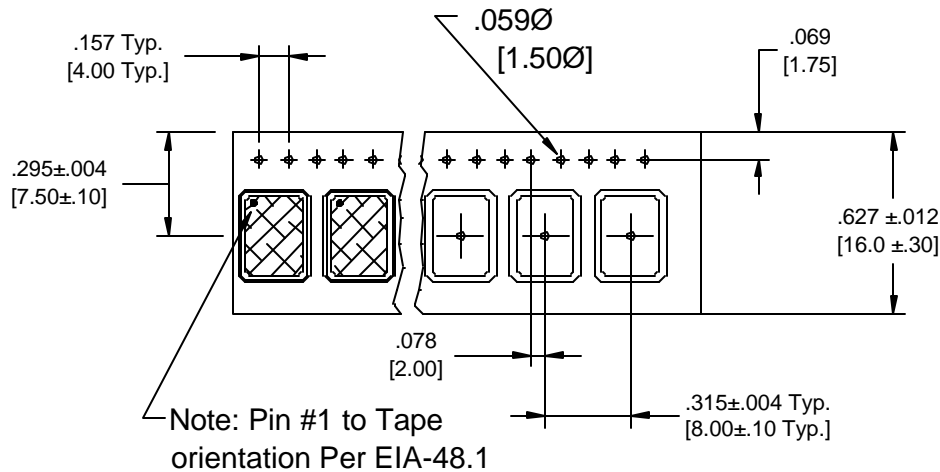


Recommended Land Pattern



PIN	Connection
1	Enable/Disable
2	Ground
3	Output
4	Vcc



# Precision Devices Inc.

8840 N. Greenview Dr.  
Middleton WI 53562  
608-831-4445  
1-800-274-XTAL



Manufacturer of Quartz Crystal Products

DECIMAL XX=±.020 XXX=±.008	DWG FILE <b>65553R</b>	PART NUMBER <b>OC7E33560XCSERX</b>	
METRIC XX=±.50 XXX=±.20	SCALE <b>N.T.S.</b>	FREQUENCY <b>33.560000 MHz</b>	DRAWN BY <b>J.Lawinger</b>
ANGULAR XX=±2°	REV. LEVEL <b>N/A</b>		DATE <b>1/28/10</b>
	ECN NO. <b>N/A</b>	CAGE CODE <b>0S4G1</b>	<b>Page 2 of 2</b>