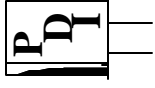


Precision Devices, Inc.

8840 N. Greenview Dr.
 Middleton, WI 53562
 Phone: 608-831-4445
 1-800-274-XTAL
 Fax: 608-831-3343



Visit our web site at www.pdixtal.com

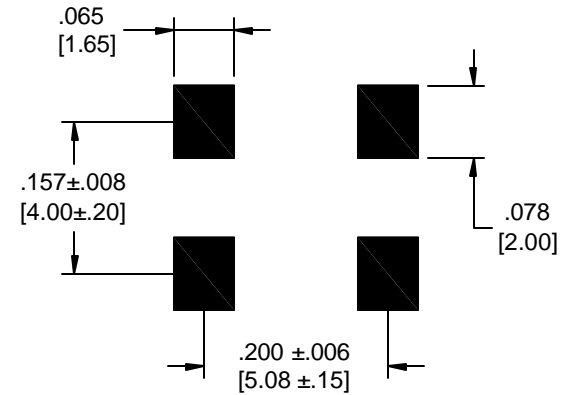
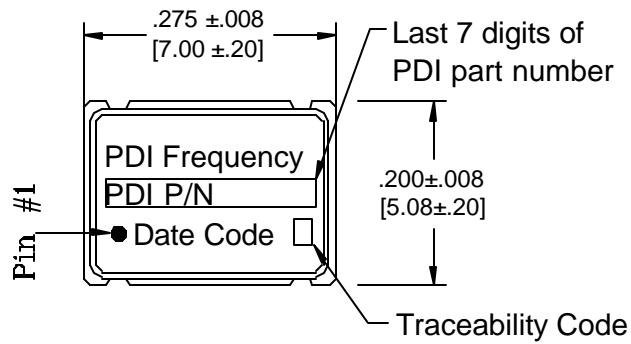
Sales Information sales@pdixtal.com

Electrical Specifications

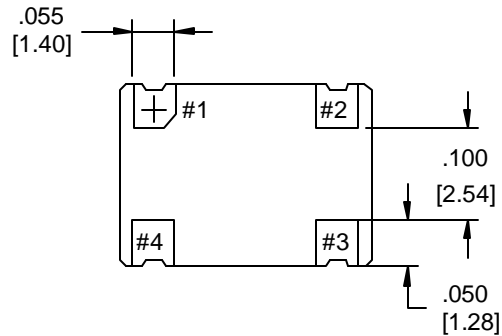
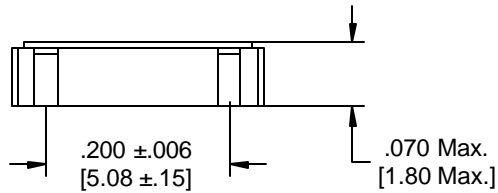
- Center Frequency: 4.194304 MHz
- Output: TTL/CMOS
- Frequency Tolerance @25°C: See Line 5
- Operating Temperature Range: -40°C to +85°C
- Frequency Stability: ±50ppm (Inclusive of tolerance, load variance, supply voltage change, temperature and aging)
- Storage Temperature Range: -55°C to +125°C
- Duty Cycle: 40/60% Maximum
- T-Rise, T-Fall: 10nS Maximum
- Supply Current: 5mA Maximum
- Supply Voltage: +3.3Vdc±10%
- Output Voltage: Vol: 0.1Vdd Maximum
Voh: 0.9Vdd Minimum
- Start-up Time: 10mS Maximum
- Load: 15pF/10LSTTL

The information contained in this drawing is the sole property of Precision Devices Inc. Any reproduction in part or as a whole without the written permission of Precision Devices Inc. is prohibited.

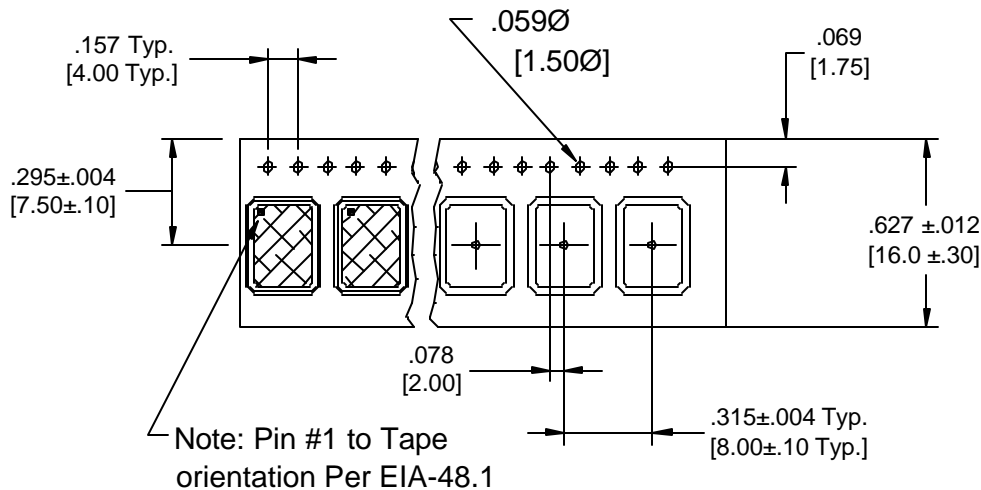
REV.	DATE	PAGE	DESCRIPTION	Auth.	ECN	Originator	Date	Engineering	Date
						D.G.	4/21/09	B.A.	4/21/09
						TITLE Crystal Assembly		FKA	6751R
						PART NUMBER	OC7E04194XCDDR		
						DATE	SCALE	ECN.	REV.
						4/21/09	N.T.S.	N/A	N/A
						SIZE	CAGE	Page 1 of 2	
						A	0S4G1		



Recommended Land Pattern



PIN	Connection
1	Enable/Disable
2	Ground
3	Output
4	Vcc



Precision Devices Inc.

8840 N. Greenview Dr.
Middleton WI 53562
608-831-4445
1-800-274-XTAL



Manufacturer of Quartz Crystal Products

DECIMAL XX=±.020 XXX=±.008	DWG FILE 6751R	PART NUMBER OC7E04194XCCDRX	
METRIC XX=±.50 XXX=±.20	SCALE N.T.S.	FREQUENCY 4.194304 MHz	DRAWN BY J.Lawinger
ANGULAR XX=±2°	DRAWING TYPE Crystal Oscillator Assembly		DATE 4/21/09
	REV. LEVEL N/A	ECN NO. N/A	CAGE CODE 0S4G1