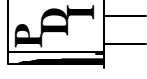


# Precision Devices, Inc.

8840 N. Greenview Dr.  
Middleton, WI 53562  
Phone: 608-831-4445  
1-800-274-XTAL  
Fax: 608-831-3343



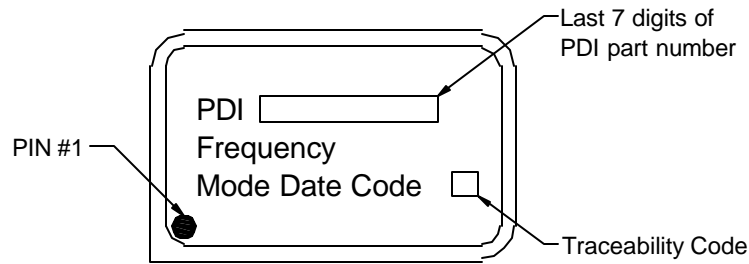
Visit our web site at [www.pdixtal.com](http://www.pdixtal.com)

Sales Information [sales@pdixtal.com](mailto:sales@pdixtal.com)

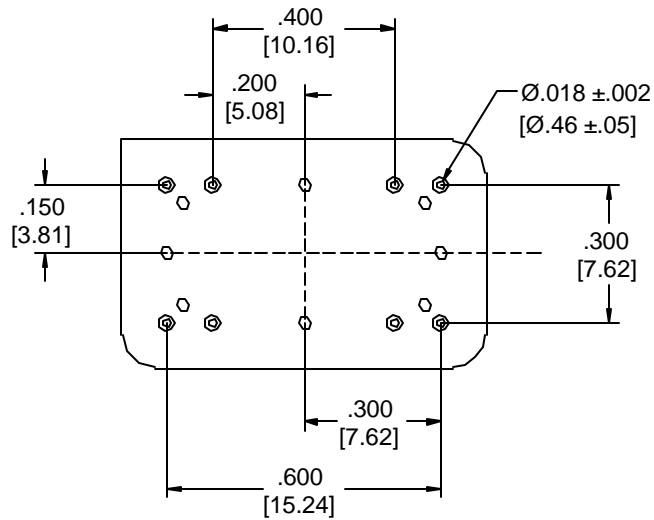
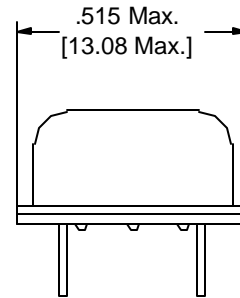
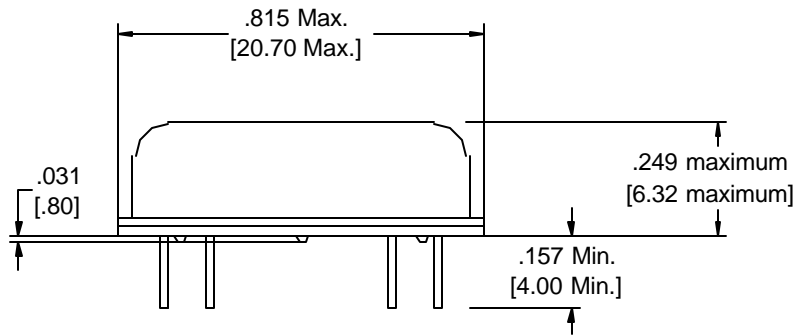
## Electrical Specifications

1. Frequency: 525.000000MHz
2. Frequency Stability:  $\pm 50.0$ ppm max. (All Causes)
3. Operating Temperature Range: 0°C to +70°C  
Storage Temperature Range: -40°C to +85°C
5. Supply Voltage: +3.3Vdc  $\pm 10\%$
6. Supply Current: 120.0mA Maximum
7. Output Characteristics:  
Waveform: PECL 100K Complementary Output  
Logic Levels: Low<+1.70V, High>+2.28V  
Rise/Fall Times (20% to 80% pk.-pk.) : 600.0ps Maximum  
Jitter: 3.0ps Maximum  
Tri-State: Negative Enable  
Load: 50 Ohms to Vcc-2V (or Thevenin Equivalent)
8. Duty Cycle: 48:52% to 52:48% at Vcc/2

REV.	DATE	PAGE	DESCRIPTION	Auth.	ECN	Originator	Date	Engineering	Date
						D.G.	7/3/06	M.B.	7/3/06
						TITLE 14-Pin Crystal Oscillator		FKA 4995	
						PART NUMBER O14SC52500ECAXX			
B	7/06	1,2	Added .249 Height Specification to oscillator package	D.G.	EO712	DATE 7/3/06	SCALE N.T.S.	ECN. EO712	REV. B
A	4/06	1,2	Added Height Specification to oscillator package	D.G.	EO700	SIZE A	CAGE OS4G1		Page 1 of 2

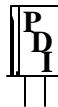


Pin	Connection
1	Vcc
7	Output
8	Output
14	Enable/Disable
2,6 9,13	Case Ground



# Precision Devices Inc.

8840 N. Greenview Dr.  
Middleton WI 53562  
608-831-4445  
1-800-274-XTAL



Manufacturer of Quartz Crystal Products

DECIMAL XX=±.020 XXX=±.008	DWG FILE <b>4995</b>	PART NUMBER <b>O14SC52500ECAXX</b>	
METRIC XX=±.50 XXX=±.20	SCALE <b>N.T.S.</b>	FREQUENCY <b>525.000000MHz</b>	DRAWN BY <b>D. Gibney</b>
ANGULAR XX=±2°	REV. LEVEL <b>B</b>	ECN NO. <b>EO712</b>	DATE <b>7/3/06</b>
		CAGE CODE <b>OS4G1</b>	<b>Page 2 of 2</b>