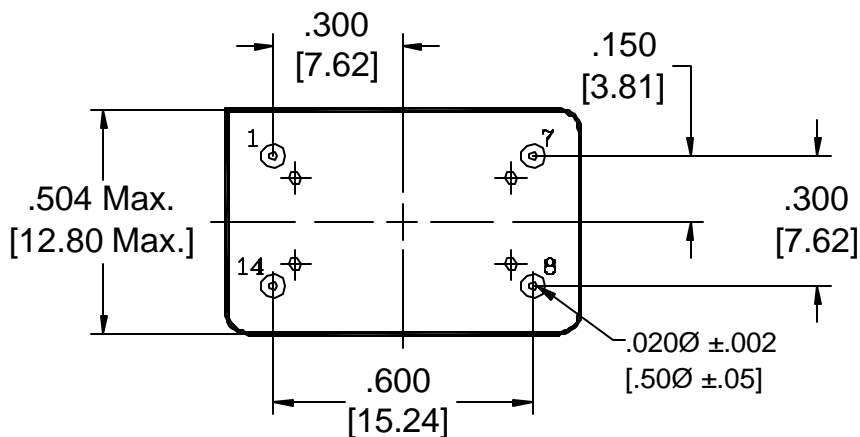
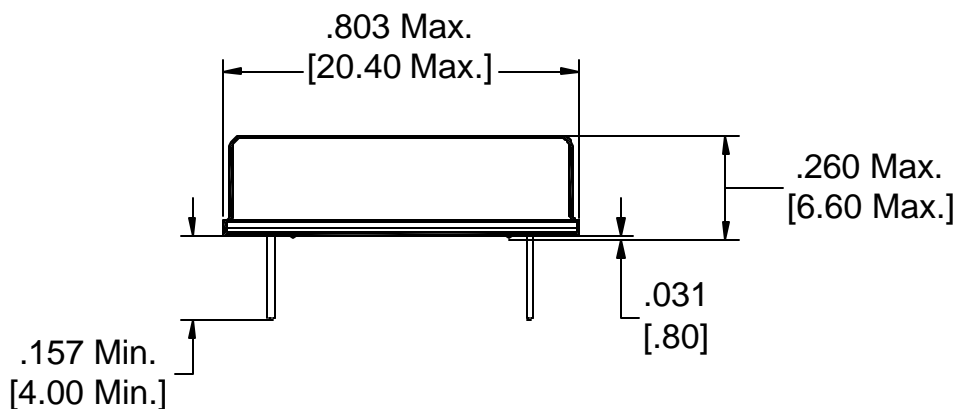


Pin	Connection
1	Internally Connected
7	Vee
8	Output
14	Vcc (Case Gnd)



Precision Devices Inc.

8840 N. Greenview Dr.
Middleton WI 53562
608-831-4445
1-800-274-XTAL



Manufacturer of Quartz Crystal Products

DECIMAL XX=±.020 XXX=±.008	DWG FILE 65664	PART NUMBER O14SC10000ECAXX	
METRIC XX=±.50 XXX=±.20	SCALE N.T.S.	FREQUENCY 100.0000 MHz	DRAWN BY D. Gibney
ANGULAR XX=±2°	DRAWING TYPE 14 Pin DIP ECL Oscillator		DATE 5/26/2010
	REV. LEVEL N/A	ECN NO. N/A	CAGE CODE 0S4G1