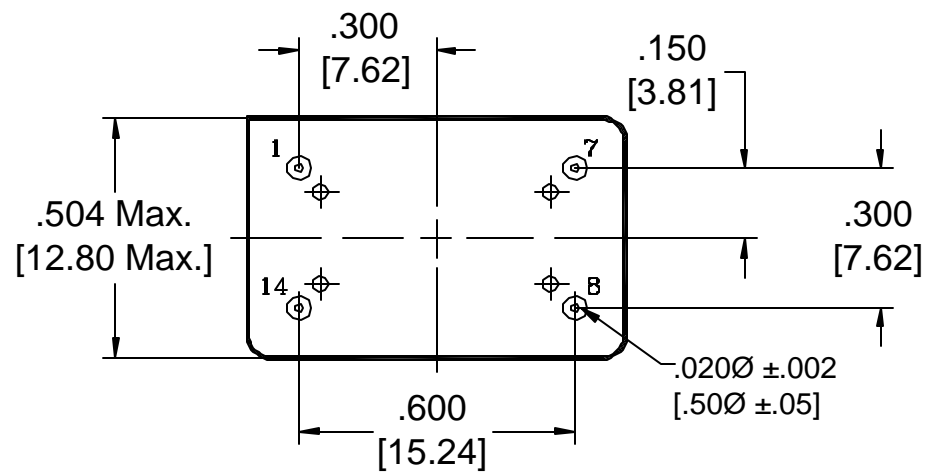
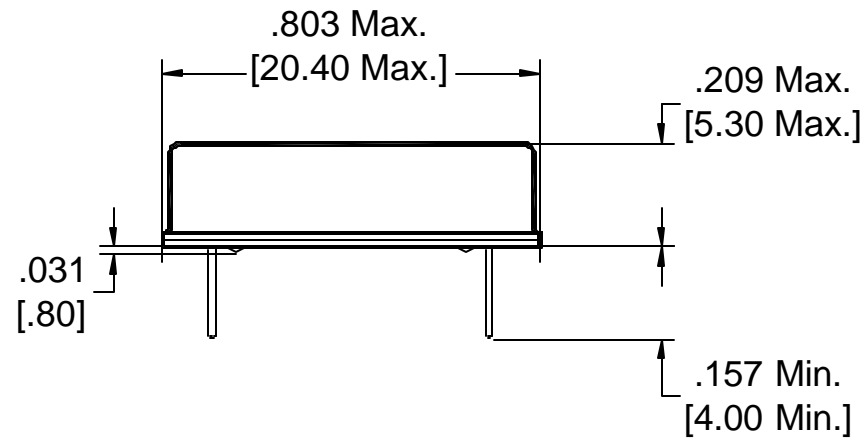


Pin	Connection
1	No Connect
7	Ground
8	Output
14	Supply



# Precision Devices Inc.

8840 N. Greenview Dr.  
 Middleton WI 53562  
 608-831-4445  
 1-800-274-XTAL



Manufacturer of Quartz Crystal Products

DECIMAL XX=±.020 XXX=±.008	DWG FILE <b>1188</b>	PART NUMBER <b>O14N18432XCCAXX</b>	
METRIC XX=±.50 XXX=±.20	SCALE <b>N.T.S.</b>	FREQUENCY <b>18.432000 MHz</b>	DRAWN BY <b>J.Lawinger</b>
ANGULAR XX=±2°	DRAWING TYPE 14 Pin DIP Crystal Oscillator Assembly		DATE <b>8/8/07</b>
	REV. LEVEL <b>N/A</b>	ECN NO. <b>N/A</b>	CAGE CODE <b>OS4G1</b>