

Precision Devices, Inc.



8840 N. Greenview Dr.
 Middleton, WI 53562
 Phone: 608-831-4445
 1-800-274-XTAL
 Fax: 608-831-3343



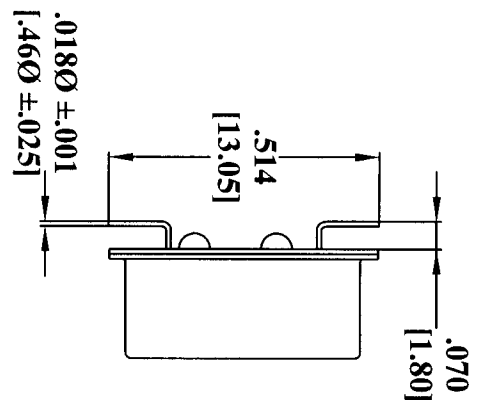
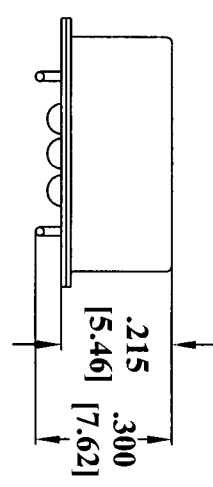
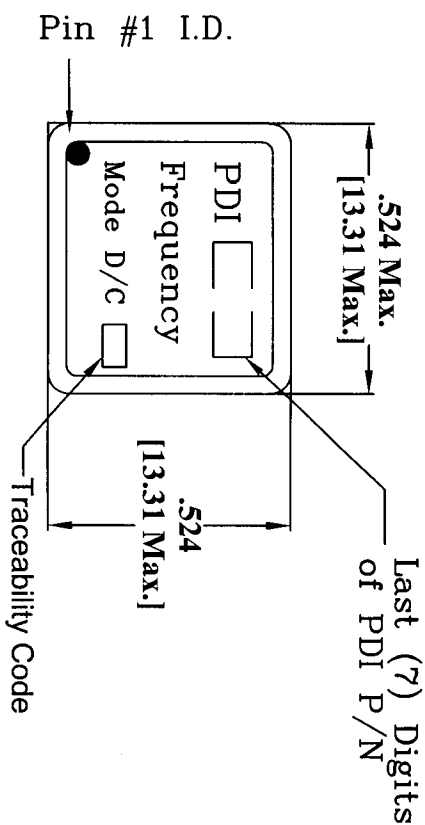
Visit our web site at www.pdixtal.com

Sales Information sales@pdixtal.com

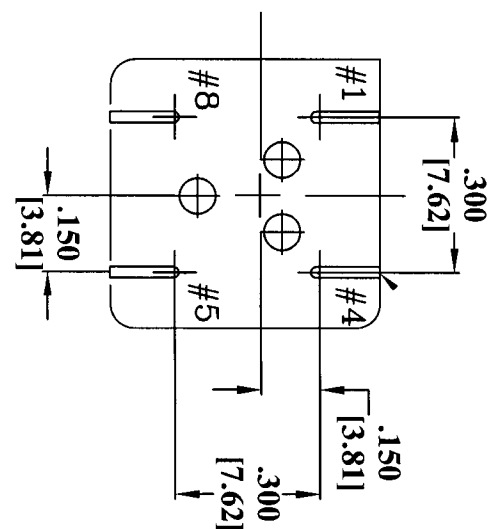
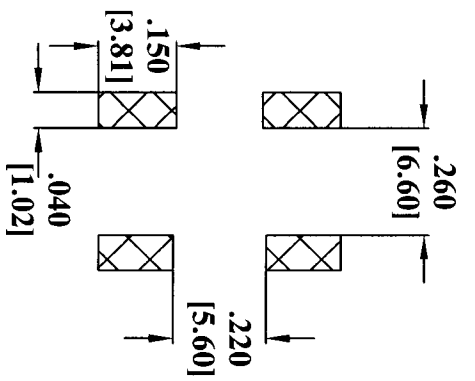
Electrical Specifications

1. Frequency: 16.000000MHz
2. Output: HCMOS
3. Frequency Tolerance @ 25°C: ±50.0ppm
4. Operating Temperature Range: -40°C to +85°C
5. Frequency Stability: ±50.0ppm
6. Storage Temperature Range: -55°C to +125°C
7. Duty Cycle: 45/55% Max.
8. T-Rise, T-Fall: 6.0nS Max., 2.0nS Typ.
9. Supply Current: 25mA Max.
10. Supply Current O.T.: N/A
11. Supply Voltage: +5.0Vdc ±10%
12. Load: 50.0pF or 10 TTL

REV.	DATE	PAGE	DESCRIPTION	ECN	Originator	Date	Engineering	Date
					JRB	12-10-03	JLB	12/10/03
					TITLE Final Assembly		FKA 5103G	
					PART NUMBER O08T16000XHCDGA			
					DATE 12/10/03	SCALE N.T.S.	ECN. N/A	REV. N/A
					SIZE A	CAGE OS4G1	Page 1 of 2	



Recommended Pad layout



PIN CONNECTION	
1	Tri-State
4	Ground
5	Output
8	B+

Precision Devices Inc.

8840 N. Greenview Dr.
Middleton WI 53562
608-831-4445
1-800-274-XTAL

Manufacturer of Quartz Crystal Products

DECIMAL XX±.020 XXX±.008	DWG FILE 5103G	PART NUMBER 008T16000XHC DGA
METRIC XX±.50 XXX±.20	SCALE N.T.S.	FREQUENCY 16.000000MHZ
ANGULAR XX=±°	DRAWING TYPE Final Assembly	DATE 12/10/03
	REV. LEVEL N/A	ECN NO. N/A
		CAGE CODE OS4G1
		Page 2 of 2