

NX3225GB

For Automotive

■ Features

A small surface-mount type crystal unit, ideal for an engine control CPU clock; delivering the high reliability that is particularly demanded by automotive.

- Ultra compact and thin. (3.2 x 2.5 x 0.75 mm typ.)
- High resistance to solder cracking.
- Stable start-up characteristics even under extremely severe environmental conditions.
- Excellent environment-resistant performance, including heat, vibration and shock resistance.
- Meets the requirements for re-flow profiling using lead-free solder.
- Conforms to AEC-Q200.



RoHS Compliant
Directive 2002/95/EC

■ Specifications

Item	Model	NX3225GB
Nominal frequency		8 to 50 MHz
Overtone order		Fundamental
Frequency tolerance (25 ±3 °C)		±50 × 10 ⁻⁶
Frequency versus temperature characteristics (with reference to +25 °C)		±150 × 10 ⁻⁶
Operating temperature range		-40 to +150 °C
Storage temperature range		-40 to +150 °C
Equivalent series resistance		Refer to *1
Level of drive		10 μW (Max. 200 μW)
Load capacitance		8 pF

The above specifications are standard for this NDK product.
Custom-made specifications such as load capacitance and temperature characteristics are also available.
Please contact NDK sales with your enquiries.

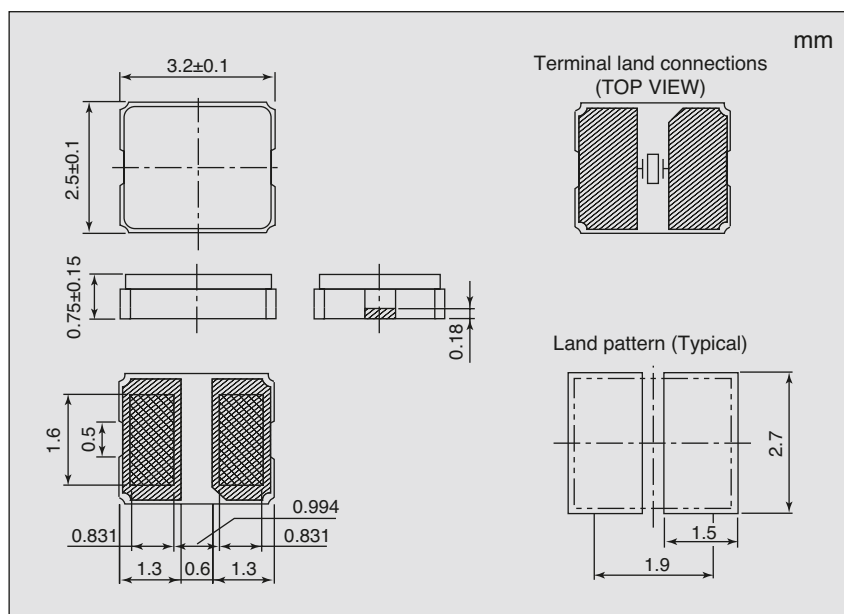
■ How to Specify an Order

When ordering our products, specify them with an "Ordering Code" that consists of the following :

Model name - Frequency (Max : 9 digits) M - Number for specifying an order Example NX3225GB-12.000M-STD-CRA-2

If you have any queries concerning our standard frequencies and numbers for specifying orders, please contact our sales representatives or visit our homepage (<http://www.ndk.com/>).

■ Dimensions



*1 Equivalent Series Resistance

Nominal frequency (MHz)	Equivalent Series Resistance max. [Ω]
8 to 9.8	500
9.8 to 12	300
12 to 20	120
20 to 50	100