

Technical Data

NCT Series



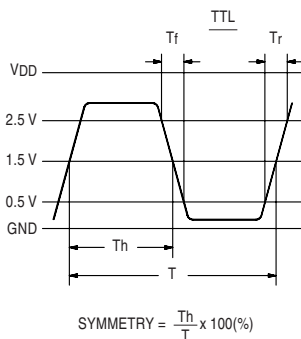
Description

A crystal controlled, hybrid oscillator circuit that produces a true TTL output characteristic at frequencies between 4.0001 MHz and 66.6667 MHz. The device is mounted in a 14-pin DIP-compatible, all metal hermetic package. Physically and functionally interchangeable with all major manufacturers' devices.

Applications & Features

- Ideal for high performance RISC and CISC based products
- True TTL level for low EMI
- Broad frequency range to 66.6667 MHz
- See NCH630x to replace NCT040x

Output Waveform



Frequency Range:	4.0001 MHz to 66.6667 MHz	
Frequency Stability:	±25, ±50 or ±100 ppm over all conditions: calibration tolerance, operating temperature, input voltage change, load change, aging, shock and vibration.	

Temperature Range:	Operating: 0°C to +70°C or -40 to +85°C (limited frequencies)	
	Storage: -55°C to +125°C	

Supply Voltage:	+5 VDC ±10%	
------------------------	-------------	--

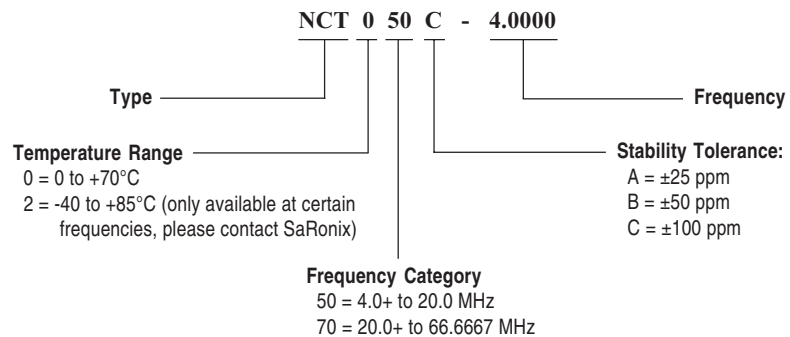
Supply Current:	Max @ 25°C	Max over Temperature
4+ MHz to 20 MHz:	30mA	40mA
20+ to 66.6667 MHz:	65mA	70mA

TTL Output:	Symmetry: 40/60% max @ 1.5 VDC level	
	Rise & Fall Times: 8ns max: 4+ MHz to 25 MHz	
	6ns max: 25+ to 66.6667 MHz	
	0 Level: 0.5V max	
	1 Level: 2.5V min	
	Load: 1 to 10 TTL gates (1.6mA per gate)	

Mechanical:	Shock: MIL-STD-883, Method 2002, Condition B	
	Solderability: MIL-STD-883, Method 2003	
	Terminal Strength: MIL-STD-883, Method 2004, Condition B2	
	Vibration: MIL-STD-883, Method 2007, Condition A	
	Solvent Resistance: MIL-STD-202, Method 215	
	Resistance to Soldering Heat: MIL-STD-202, Method 210, Condition A, B or C	

Environmental:	Gross Leak Test: MIL-STD-883, Method 1014, Condition C	
	Fine Leak Test: MIL-STD-883, Method 1014, Condition A	
	Thermal Shock: MIL-STD-883, Method 1011, Condition A	
	Moisture Resistance: MIL-STD-883, Method 1004	

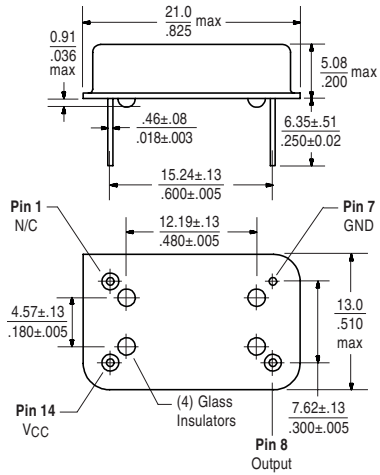
Part Numbering Guide:



Technical Data

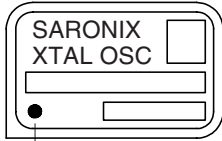
NCT Series

Package Details



Standard Marking Format *

Includes Date Code, Frequency & Part Number

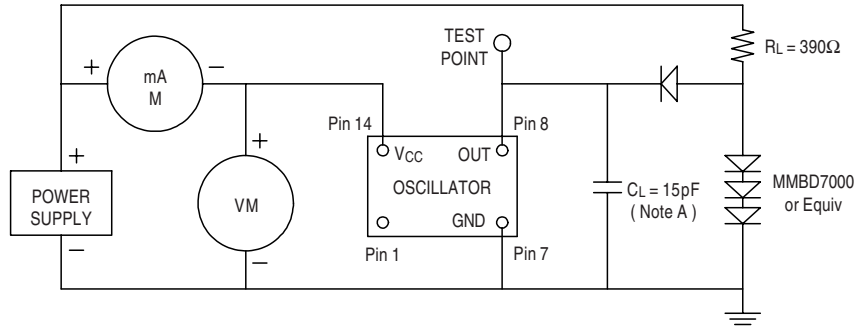


Denotes Pin 1

* Exact locations of items may vary

Scale: None (Dimensions in $\frac{mm}{inches}$)

Test Circuit



NOTE A: C_L Includes probe and fixture capacitance