

MIH Series 5X7 Ceramic SMD Oscillator



- Low Profile SMD Package
- Hermetically Sealed
- RoHS Compliant
- Wide Frequency Range



| | | | | |
|---|---|-----------|----------------------|----------------------|
| Frequency Range | 1.500MHZ to 156.250MHZ | | | |
| Temperature Stability* | (See Part Number Guide for Options) | | | |
| Operating Temperature Range | (See Part Number Guide for Options) | | | |
| Storage Temperature Range | -55°C to +125°C | | | |
| Aging (+25°C ±3°C) | ±5ppm for first year | | | |
| Waveform | HCMOS | | | |
| Supply Voltage ±5% (Vdd) | +1.80 VDC | +2.50 VDC | +3.30 VDC | +5.00 VDC |
| Supply Current | 15mA | 40mA | 40mA | 70mA |
| Load | 15pF | 15pF | 10 TTL Gates or 30pF | 10 TTL Gates or 50pF |
| Logic "0" | 10% Vdd max | | | |
| Logic "1" | 90% Vdd min | | | |
| Rise/Fall Time (10% to 90% of Supply Voltage) | 4nSec | | | |
| Symmetry (50% of waveform) | 40%/60% (45%/55% optional) | | | |
| Start-up Time | 10mSec max | | | |
| Jitter (RMS) | Less than 1 pSec | | | |
| Tri-State Operation | Vih = 70% of Vdd min to Enable Output Vil = 30% max or grounded to Disable Output (High Impedance) | | | |
| Standby Current Consumption | 10uA | | | |

* Inclusive of Temperature., Load and Voltage

Mechanical & Environmental Detail

| | |
|--------------------|-----------------------------------|
| Shock | MIL-STD-883, Method 2002 Cond B |
| Solderability | MIL-STD-883, Method 2003 |
| Solvent Resistance | MIL-STD-202, Method 215 |
| Vibration | MIL-STD-883, Method 2007, Cond A |
| Gross Leak Test | MIL-STD-883, Method 1014, Cond C |
| Fine Leak Test | MIL-STD-883, Method 1014, Cond A2 |
| MSL | Level 1 per IPC/JEDEC J-STD 20 |

Marking Detail

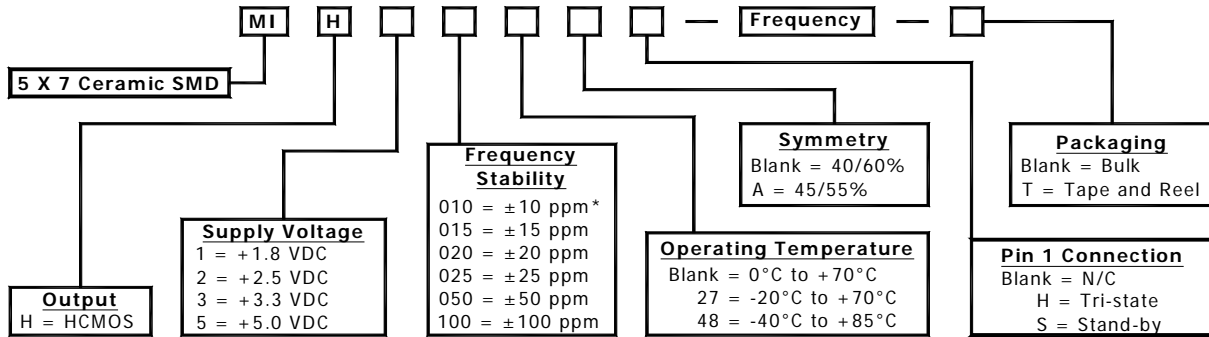
| | | |
|---------------------------|---|---------------------------------|
| Line 1 = MXXXXX | | |
| M | = | MMD |
| XXXXX | = | Frequency in MHZ |
| Line 2 = SYWWL | | |
| S | = | Internal Code |
| YYWW | = | 4 Digit Date Code (Year / Week) |
| L | = | Denotes RoHS Compliant |
| Line 3 = XXXXX | | |
| Internal use only | | |
| May vary with lots | | |
| Black dot to denote Pin 1 | | |



MMD Monitor/Quartztek
 30400 Esperanza, Rancho Santa Margarita, CA, 92688
 Phone: (949) 709-5075, Fax: (949) 709-3536, www.mmdcomp.com
 Sales@mmdcomp.com

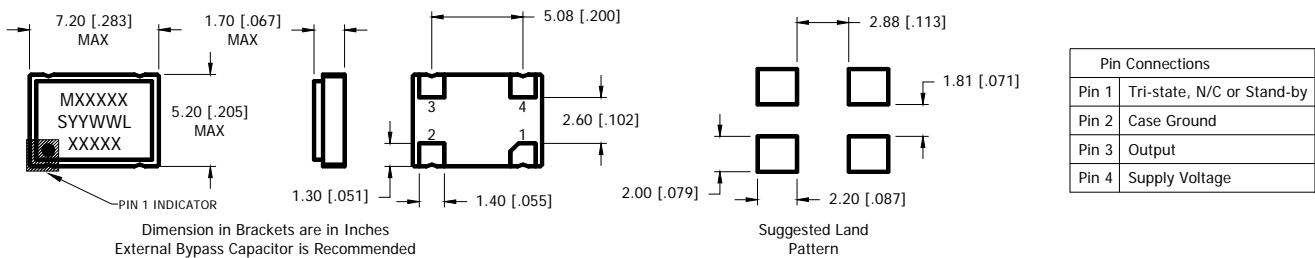


Part Number Guide

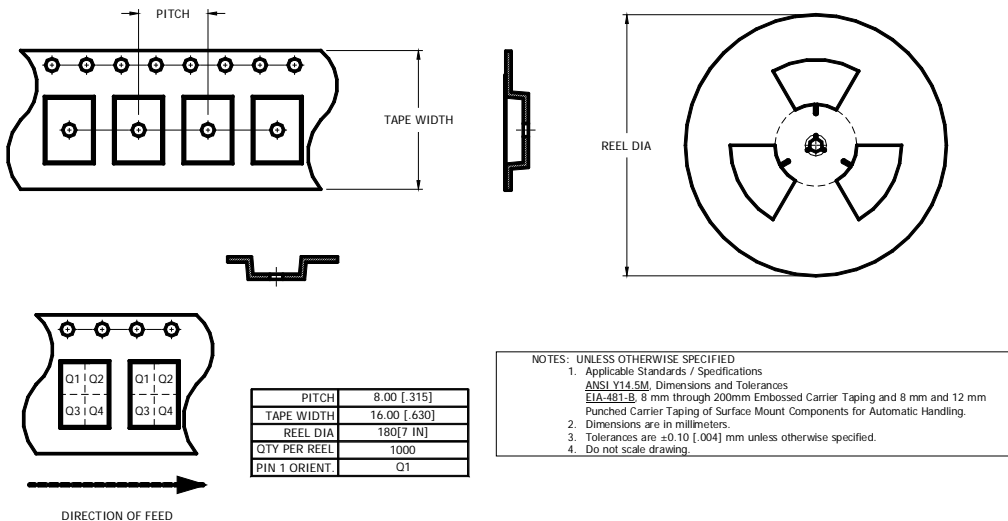


Please Consult with MMD Sales Department for any other Parameters or Options
* Not available in +1.8 VDC and +2.5 VDC

Mechanical Details



Tape & Reel Dimensions



MMD Monitor/Quartztek
30400 Esperanza, Rancho Santa Margarita, CA, 92688
Phone: (949) 709-5075, Fax: (949) 709-3536, www.mmdcomp.com
Sales@mmdcomp.com

