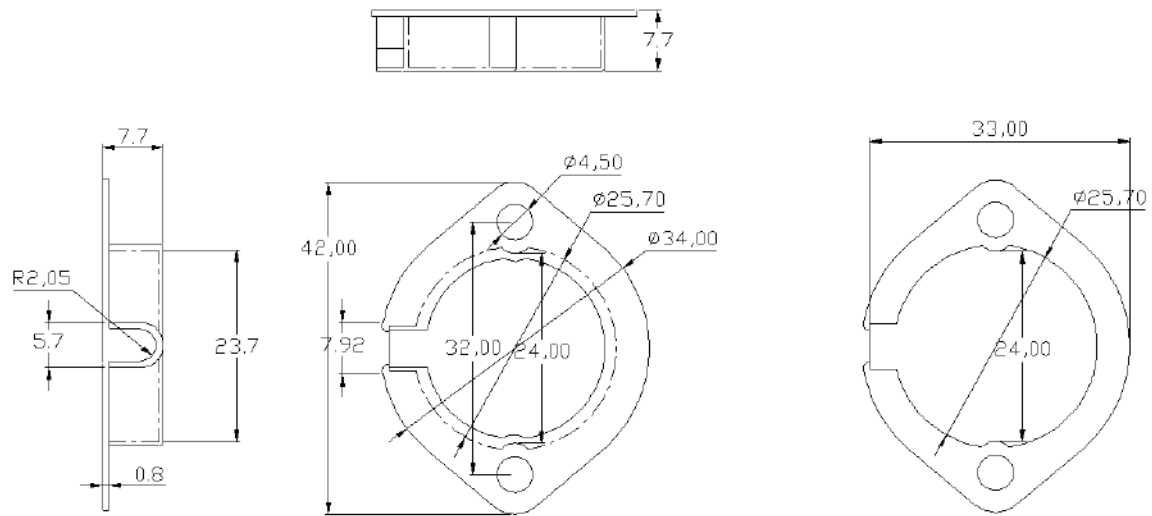


# Metal Holder Drawing (For Ultrasonic Transducer)

## 金属壳图纸（超声波压电换能片用）规格书

1. 产品型号 (Product Model): MH-42-34-7.7
2. 尺寸和外观 (Dimension and Appearance) , Unit(mm)



3. 技术要求 (Technology Requirements) :
  - 1) 材质硬度 (Material Hardness): 95HV-115HV
  - 2) 产品符合 ROHS 环保要求 (It is in ROHS compliance)
  - 3) 表面要求清洁 (it is clean on the surface)
  - 4) 表面平整无划伤 (Surface is flat without scratches)
  - 5) 表面电镀蓝彩锌 (Painting Blue Color Zinc)