

1

2

3

4

SPECIFICATION

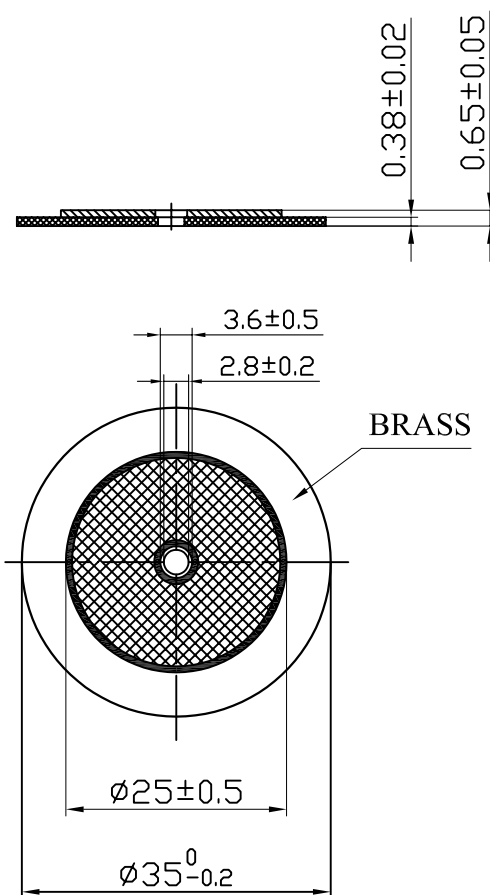
1. SCOPE

This specification is applied to the piezo-element.

2. SPECIFICATION

(at 25°C)

2.1 Resonant Frequency	:	3.1 ± 0.5 KHz
2.2 Resonant Resistace	:	200 Ω max
2.3 Capacitance	:	30000 pF ± 30% at 100Hz
2.4 Input Voltage	:	30Vp-p max
2.5 Operating Temperature	:	-20~+60°C
2.6 Storage Temperature	:	-20~+70°C
3. DIMENSION	:	as per figure

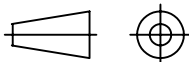


TOLERANCES UNLESS NOTED OTHERWISE

.X ±
.XX ±
.XXX ±

90° FORMED +2°
ANGLES -1°

FIRST ANGLE PROJECTION



DRAWN

DESIGN

CHECKED

APPROVED

DATE

08.04.28

CONTRACT NO.

AGENCY APPROVAL

KEPO MODEL NO.

MFT-35T-3.1AK

DWG NO.

KC3.001.039

KEPO CO., LTD.

CUSTOMER

CUSTOMER NO.

VER

1.0

SCALE

UNIT

mm

SHEET

TEL: (+86)574-88370330

FAX: (+86)574-88370329

1

2

3

4