

规格书编号

SPEC NO :

# 产品规格书

# SPECIFICATION

CUSTOMER 客户: \_\_\_\_\_

PRODUCT 产品: \_\_\_\_\_ CERAMIC FILTER \_\_\_\_\_

MODEL NO 型号: \_\_\_\_\_ LTWC455G \_\_\_\_\_

PREPARED 编制: \_\_\_\_\_ LEO \_\_\_\_\_ CHECKED 审核: \_\_\_\_\_ YORK \_\_\_\_\_

APPROVED 批准: \_\_\_\_\_ LIUMING \_\_\_\_\_ DATE 日期: \_\_\_\_\_ 2012-3-6 \_\_\_\_\_

客户确认 CUSTOMER RECEIVED:		
审核 CHECKED	批准 APPROVED	日期 DATE

无锡市好达电子有限公司  
Shoulder Electronics Limited

## 更改历史记录 History Record

更改日期 Date	规格书编号 Spec No	产品型号 Part No	客户产品型号 Customer No	更改内容描述 Modify Content	备注 Remark

1. THIS SPECIFICATION SHALL COVER THE CHARACTERISTICS OF CERAMIC FILTER WITH 455KHz.
2. PART NUMBER : LTWC455G

SPECIFICATION No.: QJ/A25 •07•0506

3. ELECTRONICAL SPECIFICATIONS

- A. CENTRE FREQUENCY ( $f_0$ ) : 455KHz  $\pm$  1.0KHz.
- B. BAND WIDTH AT 6 dB :  $\pm$  4.5KHz MIN.(TO 455KHz)
- C. BAND WIDTH AT 50 dB :  $\pm$  10KHz MAX.(TO 455KHz)
- D. STOP BAND ATTENUATION :  $\pm$  45 dB MIN.(AT  $f_0 \pm$  100KHz)
- E. RIPPLE : 2.0 dB MAX.(AT  $f_0 \pm$  5.0KHz)
- F. INSERTION LOSS : 5.0 dB MAX (AT THE SMALLEST LOSS)
- G. TEMPRATURE COEFFICIENT OF CENTER FRENQUENCY :  $\pm$  50PPM/ $^{\circ}$ C Max.(-20 TO +80 $^{\circ}$ C)
- H. INPUT/OUTPUT IMPEDANCE : 2.0K  $\Omega$

NOTE : A) CENTER FREQUENCY SHALL BE DEFIED AS THE CENTRAL VALUE OF THE BAND WITH AT 6 dB

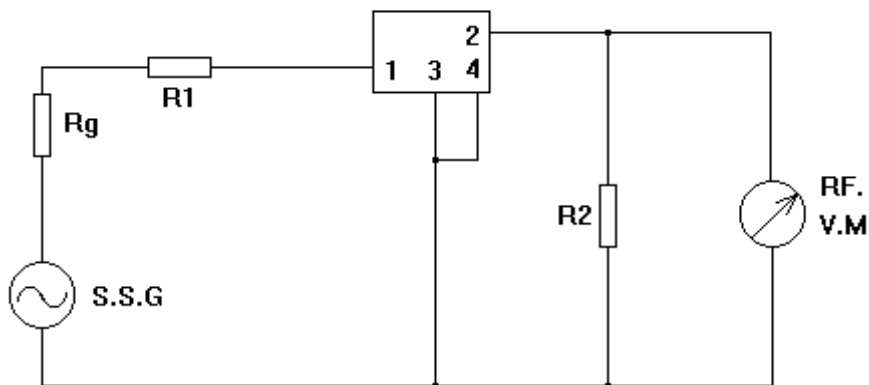
B) TEMPRATURE COEFFICIENT OF CENTER FREQUENCY SHALL BE DEFINED AS THE AVERAGE OF THE CENTRAL FREQUECY

4. MEASUREMENT

A. ENVIRONMENTAL CONDITION

MEASUREMENT SHALL BE CARRIED OUT AT THE REFERENCE TEMPERATURE OF 25 $^{\circ}$ C  $\pm$  2 $^{\circ}$ C. IT SHALL BE POSSIBLY DONE AT 5 $^{\circ}$ C TO 35 $^{\circ}$ C UNLESS IT IS QUESTIONABLE.

B. MEASURING CIRCUIT



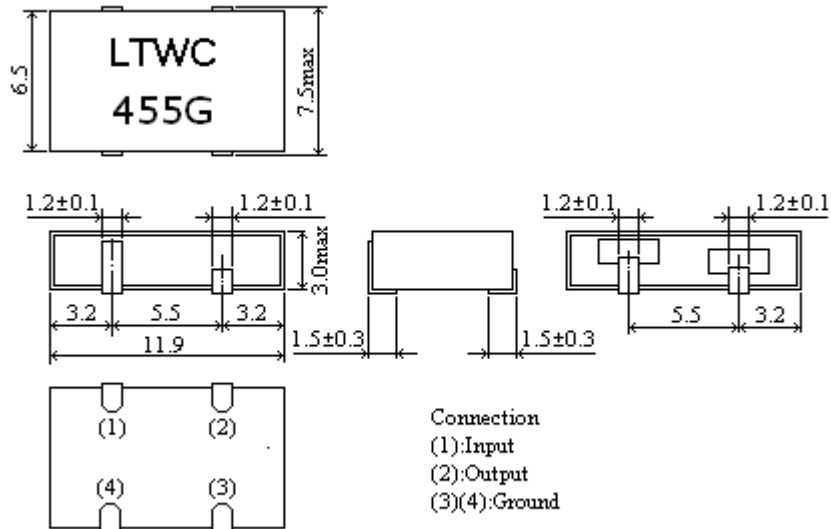
**$R_g + R_1 = R_2 = \text{Input/Output Impedance}$**

#S.S.G. (STANDARD SIGNAL GENERATION)

R.F.V.M. (RADIO FREQUENCY VOLTAGE METER)

$R_g + R_1 = R_2 = 2.0 \text{ K } \Omega$

$C \leq 50 \text{ PF}$

**5. DIMENSIONS(mm)**

**6. ENVIRONMENTAL CHARACTERISTICS**
**6-1 HIGH TEMPERATURE EXPOSURE**

SUBJECT THE FILTER TO +80°C FOR 96 HOURS. THEN RELEASE THE FILTER INTO THE ROOM CONDITIONS FOR 2 HOURS PRIOR TO THE MEASUREMENT. IT SHALL FULFILL THE SPECIFICATIONS IN TABLE 1.

**6-2 MOISTURE**

KEEP THE FILTER AT 40°C AND 95% RH FOR 96 HOURS. THEN RELEASE THE FILTER INTO THE ROOM CONDITIONS FOR 2 HOURS PRIOR TO THE MEASUREMENT. IT SHALL FULFILL THE SPECIFICATIONS IN TABLE 1.

**6-3 LOW TEMPERATURE EXPOSURE**

SUBJECT THE FILTER TO -20°C FOR 96 HOURS. THEN RELEASE THE FILTER INTO THE ROOM CONDITIONS FOR 2 HOURS PRIOR TO THE MEASUREMENT. IT SHALL FULFILL THE SPECIFICATIONS IN TABLE 1.

**6-4 TEMPERATURE CYCLING**

SUBJECT THE FILTER TO A LOW TEMPERATURE OF -20°C FOR 30 MINUTES. FOLLOWING BY A HIGH TEMPERATURE OF +85°C FOR 30 MINUTES. THEN RELEASE THE FILTER INTO THE ROOM CONDITIONS FOR 2 HOURS PRIOR TO THE MEASUREMENT. IT SHALL MEET THE SPECIFICATIONS IN TABLE 1.

**6-5 RESISTANCE TO SOLDER HEAT**

DIP THE FILTER TERMINALS NO CLOSER THAN 1.5mm INTO THE SOLDER BATH AT 260°C ±10°C FOR 10±1 SEC. THEN RELEASE THE FILTER INTO THE ROOM CONDITIONS FOR 2

HOURS. THE FILTER SHALL MEET THE SPECIFICATIONS IN TABLE 1.

6-6 MECHANICAL SHOCK

DROP THE FILTER RANDOMLY ONTO THE CONCRETE FLOOR FROM THE HEIGHT OF 30cm 3 TIMES. THE FILTER SHALL FULFILL THE SPECIFICATIONS IN TABLE 1.

6-7 VIBRATION

SUBJECT THE FILTER TO THE VIBRATION FOR 1 HOUR EACH IN X,Y AND Z AXLES WITH THE AMPLITUDE OF 1.5 mm AT 10 TO 55 Hz. THE FILTER SHALL FULFILL THE SPECIFICATIONS IN TABLE 1.

6-8 LEAD FATIGUE

6-8-1 PULLING TEST

WEIGHT ALONG WITH THE DIRECTION OF LEAD WITHOUT AN SHOCK 1.5 KG. THE FILTER SHALL SATISFY ALL THE INITIAL CHARACTERISTICS.

6-8-2 BENDING TEST

LEAD SHALL BE SUBJECT TO WITHSTAND AGAINST 90° BENDING IN THE DERECTION OF THICKNESS. THIS OPERATION SHALL BE DONE TOWARD BOTH DIRECTION. THE FILTER SHALL SHOW NO EVIDENCE OF DAMAGE AND SHALL SATISFY ALL THE INITIAL ELECTRICAL CHARACTERISTICS.

TABLE 1

ITEM	SPECIFICATION
CENTRE FREQUENCY(f。 )	455 ± 1.0 KHz
BAND WIDTH(6 dB)	± 4.5 KHz Min
SELECTIVITY(50dB)	± 10 KHz Max
STOP BAND ATTENUATION	45 dB Min
RIPPLE	2.0 dB Max
INSERTION LOSS	5.0 dB Max