



**TOKEN ELECTRONICS IND. CO., LTD.**

*HONESTY PERFECTION SHARING*

## **Catalogue of Ceramic Filters And Ceramic Resonators**

**Taiwan:** No. 137, Sec. 1, Chung Shin Rd.,  
Wu Ku Hsiang, Taipei Hsien, Taiwan, R.O.C

**TEL:** 886-2-2981 0109

**FAX:** 886-2-2988 7487

**China:** 3F South, Zhongxing Industry Bld.,  
Changye Rd., Nanshan District,  
Shen Zhen, Guangdong 518054

**TEL:** 86-755-2605 5363~4; 2605 5440~1

**FAX:** 86-755-2605 5365

**Contact:** [token@token.com.tw](mailto:token@token.com.tw)

**Support:** [support@tokenonline.net](mailto:support@tokenonline.net)

**Homepage:** 1. <http://www.token.com.tw>

2. <http://www.tokenonline.net>



## INDEX

●	Product Type	Part Name and Description	Frequency Range	Page
●	Ceramic Resonator	ZTA Series	1.80-50.00 MHz	2
●	Ceramic Resonator	ZTT Series With Built-in Capacitor	1.80-50.00 MHz	2
●	Ceramic Resonator	ZTACC/CS/CV□MG/MT/MX→Chip Type	2.0-50.00 MHz	3
●	Ceramic Resonator	ZTTCC/CS/CV□MG/MT/MX→Chip Type	2.0-50.00 MHz	3
●	Ceramic Resonator	ZTB Series	190-1250 KHz	5
●	Ceramic Resonator	ZTBY KHz Series Surface Mountable	375-1250 KHz	6
●	Ceramic Resonator	ZTB456F Series For FM Multiplexers	456 KHz	7
●	Ceramic Resonator	ZTB503/500F Series For TV Horizontal Synthesizer Circuit	503/500 KHz	7
●	Ceramic Filter	LT10.7 Series For FM Receiver	10.7 MHz	8
●	Ceramic Filter	LTCA/CV10.7M Series→Chip Type	10.7 MHz	9
●	Ceramic Discriminator	JT10.7M Series For FM	10.7MHz	10
●	Ceramic Filter	LT MB Series For TV/VCR Stage	4.5-6.5MHz	11
●	Ceramic Filter	LTS MCB/MDB Series For TV/VCR Stage (Low-Spurious Type)	4.5-6.5MHz	12
●	Ceramic Filter	LTT MA Series For TV/VCR Stage (High-Selectivity Type)	4.5-6.74MHz	13
●	Ceramic Trap	XT MB Series For TV/VCR Stage	4.5-6.5MHz	14
●	Ceramic Trap	XT MW Series Of Double Trap	4.5-6.5MHz	14
●	Ceramic Trap	XT MJ Series For Chrominance Carrier	3.58-6.5MHz	15
●	Ceramic Discriminator	JT MD Series For TV/VCR SIF Stage	4.5-6.5MHz	16
●	Ceramic Discriminator	JT MC Series For TV/VCR SIF Stage	4.5-6.5MHz	17
●		Radial Taping Dimensions		18
●	Ceramic Filter	LT455/450 U/W Series For Communication	455/450KHz	19
●	Ceramic Filter	LTP Series For AM	450/470KHz	20
●	Ceramic Filter	LTM 455/450 U/W Series For Communication	455/450KHz	21
●	Ceramic Filter	Miniature LT Series	450/470KHz	22
●	Ceramic Filter	LTZ Series For AM	450/470KHz	23
●	Ceramic Filter	LZU Series For Search-stop Signal Detection	450KHz	24
●	Ceramic Filter	LT Series For Radio-Cassette Recorder	450/470KHz	24
●	Ceramic Discriminator	JTM Series For Communication	455KHz	25



## Ceramic Resonator ZTA Series

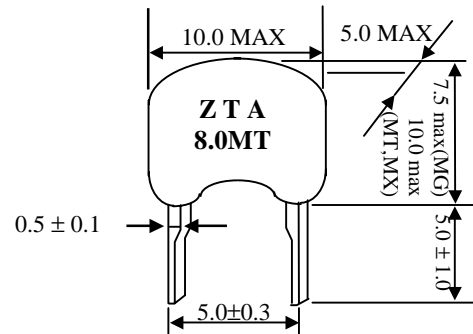
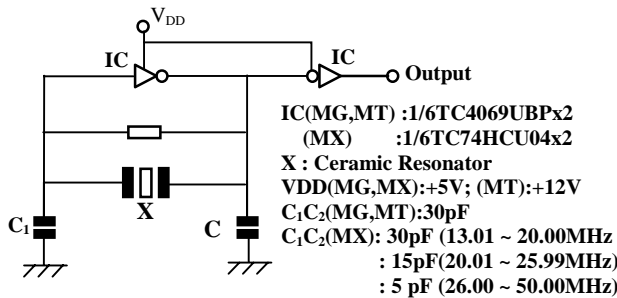
1.80-50.00 MHz

### ZTA Series of Ceramic Resonator (Compatible to Murata CSA)

Token ZTA Series of ceramic resonators cover the frequency range of 1.80 MHz to 50.00 MHz with an initial frequency tolerance of  $\pm 0.5\%$ . Since the ZTA Series utilizes the thickness mode of vibration of the piezoelectric element, there is little dimensional change with frequency. All ZTA resonators are epoxy coated and completely washable. Tape and reel packaging is available.

#### TECHNICAL CHARACTERISTICS

Part Number	Frequency Range (MHz)	Frequency Accuracy (25°C) %	Stability in Temperature (-20°C ~ +80°C) %	Operating Temperature (°C)	Aging For Ten Years (%)
ZTA□□□MG	1.80-6.00	$\pm 0.5$	$\pm 0.3$	-20 ~ +80	$\pm 0.3$
ZTA□□□MT	6.01-13.00	$\pm 0.5$	$\pm 0.3$	-20 ~ +80	$\pm 0.3$
ZTA□□□MX	13.01-50.00	$\pm 0.5$	$\pm 0.3$	-20 ~ +80	$\pm 0.3$



## Ceramic Resonator ZTT Series With Built-in Capacitor

1.80-50.00 MHz

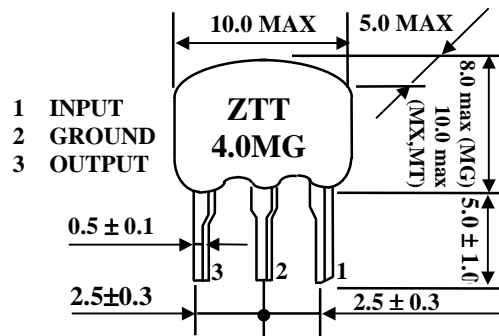
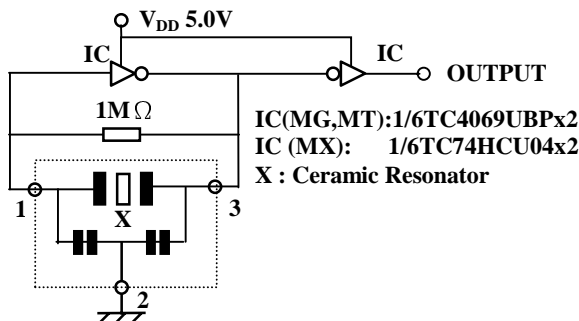
### ZTT Series of Ceramic Resonator (Compatible to Murata CST)

Token ZTT series of ceramic resonators features a built-in load capacitance. This feature eliminates any need for external loading capacitors and reduces component count, increases reliability and reduces size. These units are offered in the frequency range from 1.80 MHz to 50.00 MHz with an initial frequency tolerance of  $\pm 5\%$ .

#### TECHNICAL CHARACTERISTICS

Part Number	Frequency Accuracy 25°C (%)	Stability in Temperature -20°C ~ +80°C (%)	Aging For Ten Years (%)
ZTT1.80-6.00MG	$\pm 0.5$	$\pm 0.3$	$\pm 0.3$
ZTT6.01-13.00MT	$\pm 0.5$	$\pm 0.3$	$\pm 0.3$
ZTT13.01-50.00MX	$\pm 0.5$	$\pm 0.3$	$\pm 0.3$

#### ZTT TEST CIRCUIT FOR MOS IC



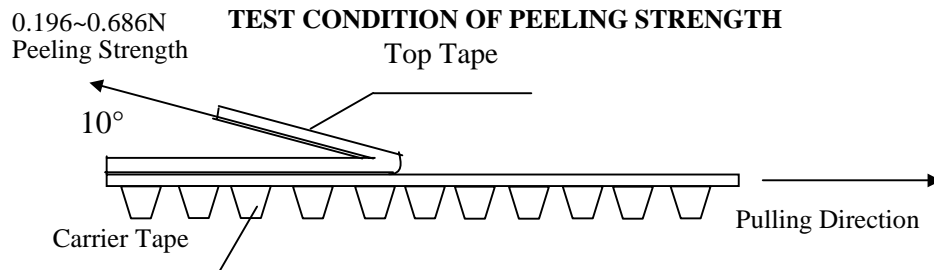
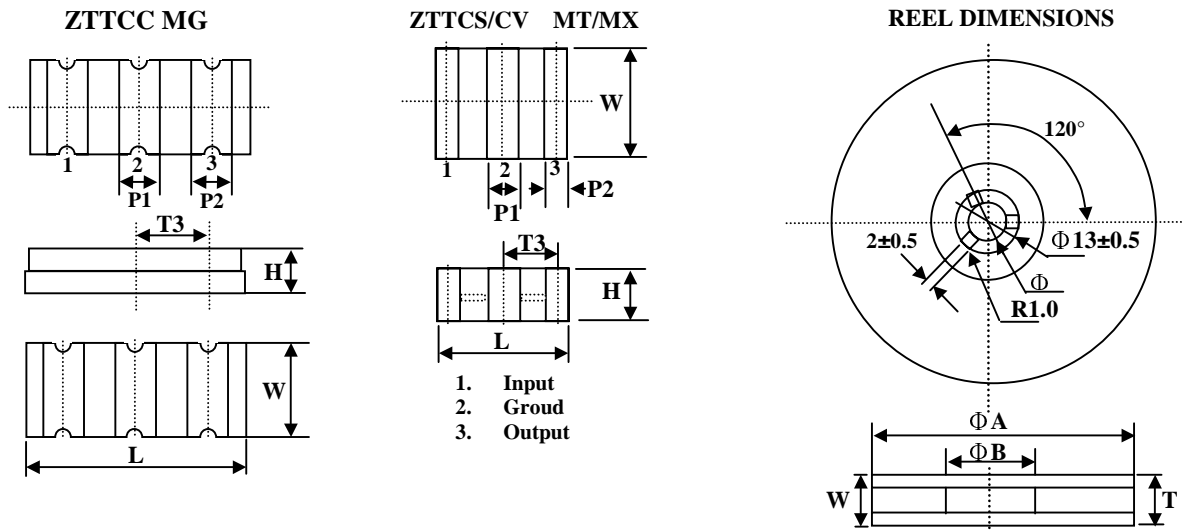


# TOKEN MEANS QUALITY AND SERVICE

Ceramic Resonator	ZTACC/CS/CV □MG/MT/MX → Chip Type	2.00-50.0 MHz
Ceramic Resonator	ZTTCC/CS/CV □MG/MT/MX → Chip Type	

## ZTACC/ ZTTCC series of Ceramic Resonator (Compatible to Murata CSAC\CATC)

Token ZTTC series of chip ceramic resonators features a built-in load capacitance. This feature eliminates any need for external loading capacitors and reduces component count, increases reliability and reduces size. These units are offered in the frequency range from 2.00 MHz to 50.00 MHz with an initial frequency tolerance of  $\pm 0.5\%$ . Token ZTAC series has two terminals, while ZTTC with three terminals.

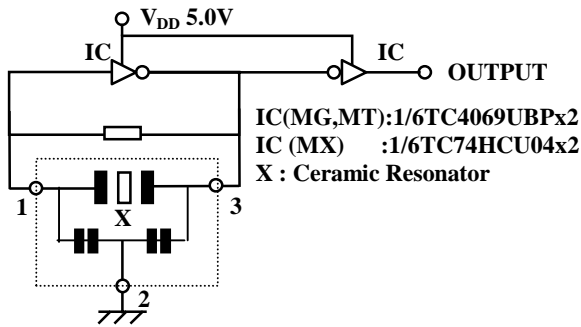


DIMENSIONS OF CHIP TYPE SERIES									
PART NUMBER	DIMENSIONS (mm)								
	L	W	H	P1	P2	T1	T2	T3	W1
ZTTCC □MG	7.4±0.3	3.4±0.3	1.8±0.3	1.2±0.3	1.2±0.3	1.5±0.3	1.7±0.3	2.5±0.3	4.0±0.3
ZTTCS □MT/MX	4.7±0.2	4.7±0.2	1.6±0.3	1.0±0.4	0.8±0.4	1.3±0.2	0.8±0.2	1.95±0.2	5.1±0.2
ZTTCV □MT/MX	3.7±0.2	3.1±0.2	1.2±0.3	0.9±0.3	0.7±0.3	1.0±0.2	0.7±0.2	1.5±0.2	4.1±0.2

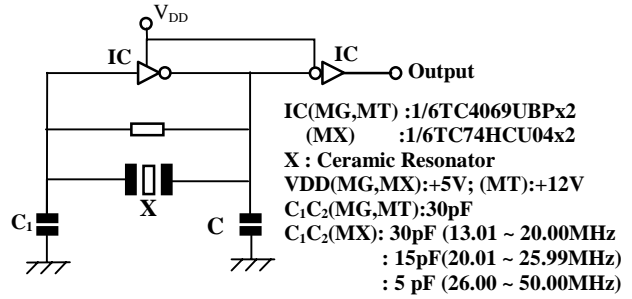
ZTACC/ ZTTCC TECHNICAL CHARACTERISTICS				
Part Number	Frequency Range (MHz)	Frequency Accuracy	Stability in Temperature -20°C~+80°C (%)	Aging For Ten Years (%)
ZTACC □MG	2.00-6.99	±0.5	±0.3	±0.3
ZTTCC □MG	2.00-6.99	±0.5	±0.3	±0.3
ZTACS/CV □MT/MX	7.00-13.00	±0.5	±0.4	±0.3
ZTACS/CV □MT/MX	13.0-50.00	±0.5	±0.3	±0.3



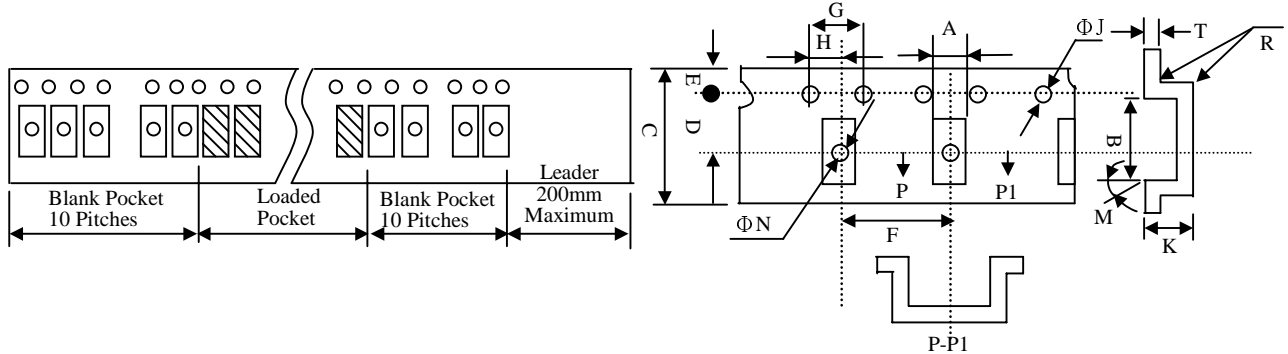
### ZTCC TEST CIRCUIT FOR MOS IC



### ZTACC TEST CIRCUIT FOR MOS IC



### PACKING METHOD

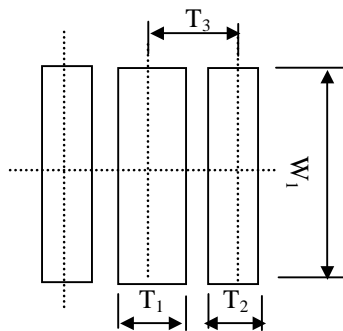


REEL DIMENSIONS (mm)					
$\Phi A$	$\Phi B$	W Min	T Max	Pieces Per Reel	Carrier Tape Size
179±2	60typ	12.4	19.4	1000	12
179±2	60typ	16.4	22.4	1000	16
330±3	80Min	12.4	19.4	4000	12
330±3	80Min	16.4	22.4	4000	16

Tape- Typical Value

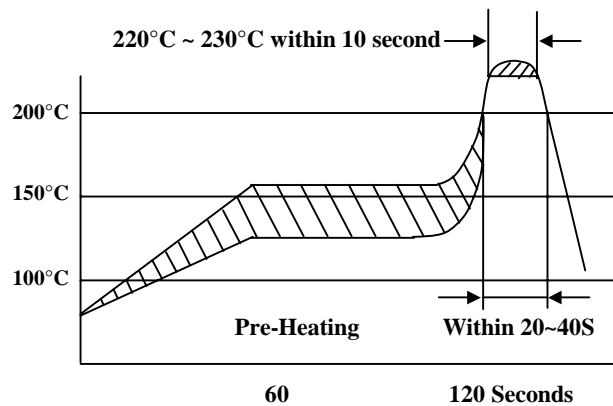
TAPE DIMENSION (mm)														
Part Number	A	B	C	D	E	F	G	H	$\Phi J$	$\Phi N$	M	R	K	T
	±0.2	±0.2	±0.3	±0.1	±0.1	±0.1	±0.1	±0.1	±0.1	±0.1	Max.	Max.	±0.2	±0.1
ZTACC □MG	3.8	7.8	160	7.5	1.75	8.0	4.0	2.0	1.5	1.6	10 <sup>0</sup>	0.3	2.1	0.3
ZTCC □MG	3.8	7.8	160	7.5	1.75	8.0	4.0	2.0	1.5	1.6	10 <sup>0</sup>	0.3	2.1	0.3
ZTACS □MT/MX	5.0	4.4	120	5.5	1.75	8.0	4.0	2.0	1.5	1.6	10 <sup>0</sup>	0.3	1.8	0.3
ZTCS □MT/MX	5.0	4.4	120	5.5	1.75	8.0	4.0	2.0	1.5	1.6	10 <sup>0</sup>	0.3	1.8	0.3
ZTACV □MT/MX	3.4	4.0	120	5.5	1.75	8.0	4.0	2.0	1.5	1.6	10 <sup>0</sup>	0.3	1.3	0.3
ZTTCV □MT/MX	3.4	4.0	120	5.5	1.75	8.0	4.0	2.0	1.5	1.6	10 <sup>0</sup>	0.3	1.3	0.3

### RECOMMENDED LAND PATTERN



\* See "Dimensions of Chip Resonator Series" in page 2

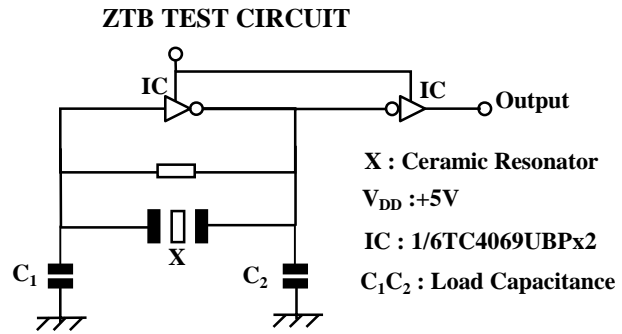
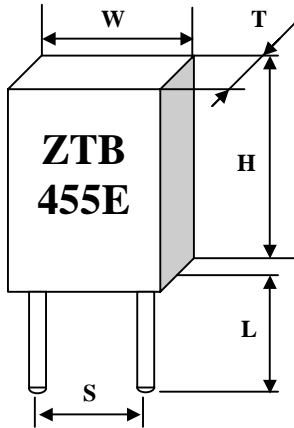
### RECOMMENDED REFLOW SOLDERING STANDARD CONDITIONS





**ZTB Series of Ceramic Resonator (190-1250 KHz)  
(Compatible to Murata CSB)**

Token ZTB series of ceramic resonators is designed to provide the design engineer with a rugged, relatively low frequency device in the frequency range of 190 KHz to 1,250 KHz. Initial frequency tolerance is  $\pm 0.5\%$  which compares very favorably to the nominal  $\pm 2\% \sim \pm 3\%$  requirements of one chip microprocessors. Token ZTB series utilizes the area vibration mode of the piezoelectric ceramic element.



**ZTB DIMENSIONS**

Frequency Range (KHz)	Width W (mm)	Thickness T (mm)	Height H (mm)	Lead Space S (mm)	Lead Length L (mm)
190-249	13.5	3.8	14.7	10.0	8.0
250-374	11.0	3.8	12.2	7.7	7.0
375-400	7.9	3.6	9.3	5.0	7.7
401-699	7.0	3.5	9.0	5.0	4.0(6.0)
700-1300	5.2	2.8	6.8	2.5	3.5(5.0)
1000J	5.1	2.3	6.3	2.5	4.0

**TECHNICAL CHARACTERISTICS**

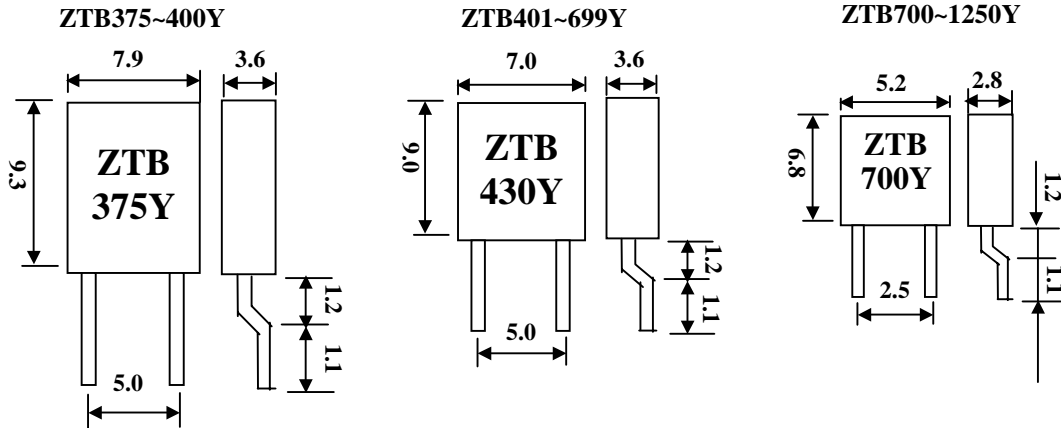
Part Number	Frequency Accuracy	Resonant Impedance( $\Omega$ )	Stability in Temperature -20~+80°C (%)	Aging For Ten Years (%)	Load Capacitance (pF)	
					$C_1$	$C_2$
ZTB82~189 *	$\pm 2KHz$	$\leq 20$	$\pm 0.3$	$\pm 0.3$	/	/
ZTB190~249D	$\pm 1KHz$	$\leq 20$	$\pm 0.3$	$\pm 0.3$	330	470
ZTB250~374D	$\pm 1KHz$	$\leq 20$	$\pm 0.3$	$\pm 0.3$	220	470
ZTB375~429P	$\pm 2KHz$	$\leq 20$	$\pm 0.3$	$\pm 0.3$	120	470
ZTB430~509E	$\pm 2KHz$	$\leq 20$	$\pm 0.3$	$\pm 0.3$	100	100
ZTB510~699P	$\pm 2KHz$	$\leq 30$	$\pm 0.3$	$\pm 0.3$	100	100
ZTB700~999J	$\pm 0.5\%$	$\leq 70$	$\pm 0.3$	$\pm 0.3$	100	100
ZTB1000~1300J	$\pm 0.5\%$	$\leq 100$	$\pm 0.3$	$\pm 0.3$	100	100

\* ZTB82~189 series is new products of custom design.



**ZTBY KHz series of Ceramic Resonator  
(Compatible to Murata CSBF)**

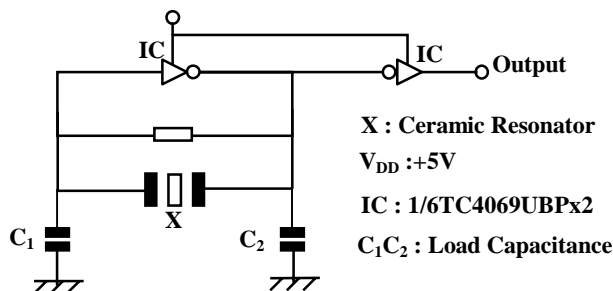
Token ZTBY series of ceramic resonators is a surface mountable device unit of ZTB Width the frequency range of 375 KHz to 1,250 KHz. Initial frequency tolerance is  $\pm 0.5\%$  which compares very favorably to the nominal  $\pm 2\% \sim \pm 3\%$  requirements of one chip microprocessors. Token ZTBY series utilizes the area vibration mode of the piezoelectric ceramic element.



**TECHNICAL CHARACTERISTICS**

Part Number	Frequency Accuracy	Resonant Impedance ( $\Omega$ )	Stability in Temperature -20~+80°C (%)	Aging For Ten Years (%)	Load (pF) Capacitance	
					C <sub>1</sub>	C <sub>2</sub>
ZTB375~429Y	$\pm 0.5$	$\leq 20$	$\pm 0.3$	$\pm 0.3$	120	470
ZTB430~509Y	$\pm 0.5$	$\leq 20$	$\pm 0.3$	$\pm 0.3$	100	100
ZTB510~699Y	$\pm 0.5$	$\leq 30$	$\pm 0.3$	$\pm 0.3$	100	100
ZTB700~900Y	$\pm 0.5$	$\leq 50$	$\pm 0.3$	$\pm 0.3$	100	100
ZTB901~1000Y	$\pm 0.5$	$\leq 70$	$\pm 0.3$	$\pm 0.3$	100	100
ZTB1001~1250Y	$\pm 0.5$	$\leq 100$	$\pm 0.3$	$\pm 0.3$	100	100

**ZTBY TEST CIRCUIT**





## Ceramic Resonator ZTB456F Series For FM Multiplexers

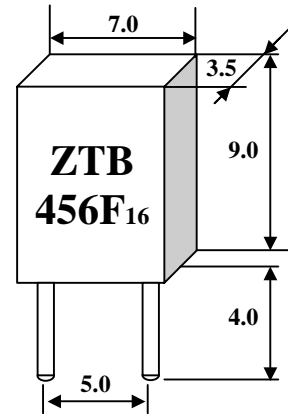
456 KHz

### ZTB456F Series Of Ceramic Resonator (456KHz)

(Compatible to Murata CSB456F)

Token ceramic resonator ZTB 456F multiplexes series is designed to provide frequency modulation for HI-FI stereo application. These units are offered in the frequency accuracy 19.000 ±38 Hz and 456 KHz ±2 KHz Width different applicable IC.

TECHNICAL CHARACTERISTICS		
Part Number	Frequency Accuracy	Applicable IC
ZTB456F <sub>11</sub>	19.000KHz±38Hz	LA3430 (SANYO)
ZTB456F <sub>14</sub>	19.000KHz±38Hz	TA7413AP (TOSHIBA)
ZTB456F <sub>15</sub>	456KHz±2KHz	LA1832 (SANYO)
ZTB456F <sub>16</sub>	19.000KHz±38Hz	TA8122AN (TOSHIBA)
ZTB456F <sub>18</sub>	19.000KHz±38Hz	TA8132N (TOSHIBA)
ZTB456F <sub>33</sub>	456KHz±2KHz	LA2232 (SANYO)



## Ceramic Resonator ZTB503/500F For TV Horizontal Synthesizer Circuit

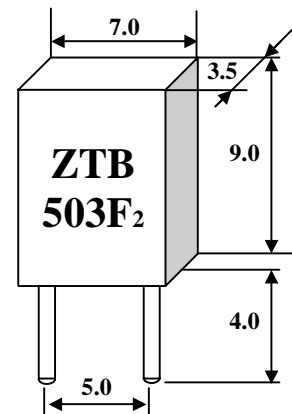
503/500 KHz

### ZTB503/500F Ceramic Resonator (503/500KHz)

(Compatible to Murata CSB503F)

Token ceramic resonator ZTB 503/500F series is designed for TV horizontal synthesizer circuits. These units are offered in the following frequency accuracy Width different applicable IC.

TECHNICAL CHARACTERISTICS		
Part Number	Frequency Accuracy	Applicable IC
ZTB503F <sub>2</sub>	503.5±2KHZ	μPC1401 (NEC)
ZTB503F <sub>5</sub>	504.5±2KHZ	LA7620 (SANYO)
ZTB503F <sub>6</sub>	519±2KHZ	M51370 (MITSUBISHI)
ZTB503F <sub>10</sub>	15.734±0.5%	TA7777P (TOSHIBA)
ZTB503F <sub>12</sub>	503.5KHz±2KHz	TDA3586 (THOMSON)
ZTB503F <sub>15</sub>	505.1KHz±2KHz	LTA7650 (SANYO)
ZTB503F <sub>30</sub>	503.5KHz±1.5KHz	TA8654AN (TOSHIBA)
ZTB503F <sub>38</sub>	15.734KHz±62Hz	AN5302 (MATSUSHITA)
ZTB500F <sub>2</sub>	500.0Hz±2KHz	μPC1401 (NEC)
ZTB500F <sub>9</sub>	500.0Hz±2KHz	M51308SP (MITSUBISHI)
ZTB500F <sub>13</sub>	500.0Hz±2KHz	M51367SP (MITSUBISHI)
ZTB500F <sub>28</sub>	15.680KHz±0.4%	LA7680 (SANYO)
ZTB500F <sub>40</sub>	15.680KHz±0.4%	TA8691N (TOSHIBA)
ZTB500F <sub>55</sub>	15.680KHz±0.4%	LA7685 (SANYO)

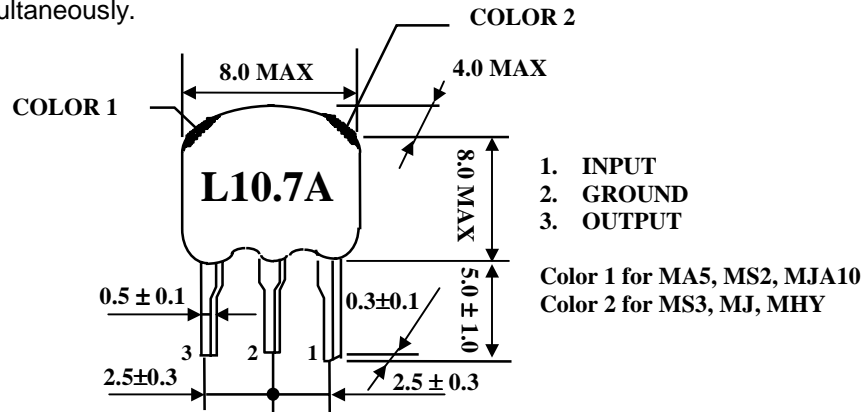






**LT10.7 Series Of Ceramic Filter (10.7MHz)  
(Compatible to Murata SFE 10.7 FM-IF)**

Token's LT10.7 MHz series of ceramic filters are monolithic device, which utilize the energy- trapped thickness Vibration mode. This principle of operation is based upon the fact that an excellent resonating element Width low spurious vibration can be obtained by adhering to certain theoretical parameters of design. These parameters include the physical dimensions of the ceramic element, the electrode pattern, and the associated mass loading effect of the electrodes. In addition to employing the principle of energy-trapped thickness shear vibration-mode, Token also utilizes the theory of the multi-coupling mode. In short, this theory utilizes divided electrodes to "trap" different frequencies simultaneously.



LT10.7M SERIES FOR FM TECHNICAL CHARACTERISTICS				
Part Number	3dB Band Width (KHz)	20dB Band Width (KHz) Max.	Insertion Loss ( dB) Max.	Spurious Attenuation 9-12 MHz (dB) Min.
LT10.7MA5	280±50	650	6	30
LT10.7MS2	230±50	600	6	40
LT10.7MS3	180±40	520	7	40
LT10.7MJ	150±40	400	10	38

\* Input/Output Impedance: 330Ω

LT10.7M A10 SERIES TECHNICAL CHARACTERISTICS				
Part Number	3dB Band Width (KHz)	20dB Band Width (KHz) Max.	Insertion Loss (dB)	Spurious Attenuation 9-12MHz (dB) Min.
LT10.7MA5A10	280±50	590	2.5±2.0	30
LT10.7MS2A10	230±50	520	3.0±2.0	35
LT10.7MS3A10	180±40	470	3.5±1.5	35
LT10.7MJA10	150±40	360	4.5±2.0	35

\* Input/Output Impedance:330Ω

WIDE/NARROW BAND-WIDTH TYPE LT10.7M SERIES TECHNICAL CHARACTERISTICS				
Part Number	3dB Band Width (KHz)	20dB Band Width (KHz) Max.	Insertion Loss (dB)	Spurious Attenuation 9-12MHz (dB) Min.
LT10.7MA19	350Min.	950	3±2	20
LT10.7MA20	330±50	680	4±2	30
LT10.7MHY	110±30	350	7±2	30
LT10.7MFP	20Min	95	6.0Max.	24

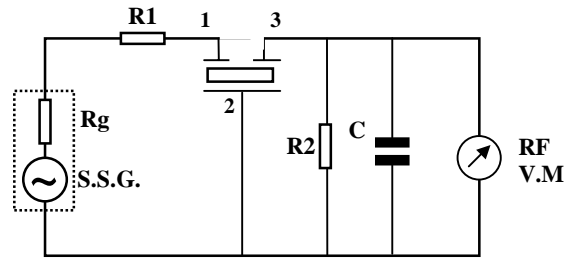
\* Input/Output Impedance:470Ω (MA19),330Ω (MA20,MHY),600Ω (MFP)

\* Spurious Attenuation range of LT10.7MFP: 10.7±1MHZ

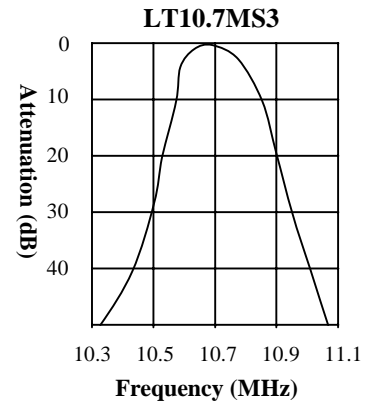
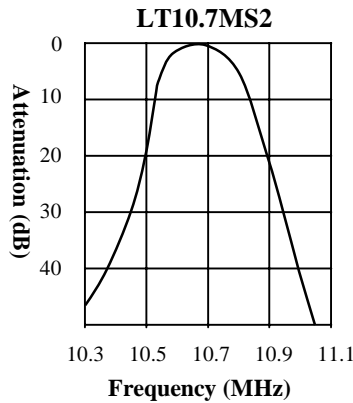
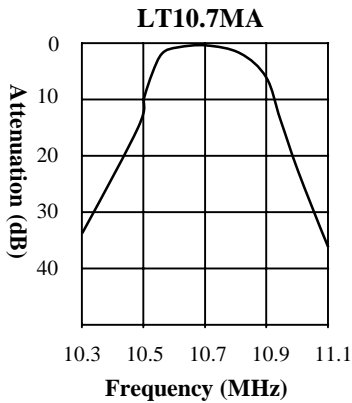


STANDARD RULE	
Center frequency	Color
D: 10.64MHz±30KHz	Black
B: 10.67MHz±30KHz	Blue
A: 10.70MHz±30KHz	Red
C: 10.73MHz±30KHz	Orange
E: 10.76MHz±30KHz	White

### LT10.7M TEST CIRCUIT



$R_g + R_1 = R_2 = 330\Omega$ ;  $C = 10pF$   
Including Stray Capacitance and Input Capacitance of RF Voltmeter.



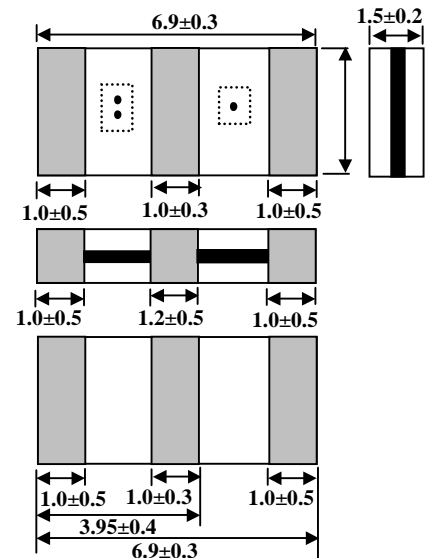
## Ceramic Filter LTCA/CV10.7M Series → Chip Type 10.7 MHz

### Chip Type LTCA/CV10.7M Series Of Ceramic Filter (Compatible to Murata SFECV10.7)

Token LTCA 10.7M piezo filters surface device for AM along with the development of the AM chip filter, IF chip filters for AM/FM radios have also been made smaller, thinner and in a chip configuration for surface mounting. This is one more example of Token's leadership in converting conventional electronic components to chip technology.

TECHNICAL CHARACTERISTICS				
Part Number	3dB Band Width (KHz)	20dB Band Width (KHz) Max.	Insertion Loss (dB) Max.	Spurious Attenuation (9-12MHz) (dB) Min.
LTCA10.7MA5	280±50	650	6.0	30
LTCA10.7MS2	230±50	600	6.0	30
LTCV10.7MA5	280±50	590	3.0±2.0	35
LTCV10.7MS2	230±50	510	3.5±2.0	35
LTCV10.7MS3	180±40	470	4.0±2.0	35

\* Input/Output Impedance: 330Ω





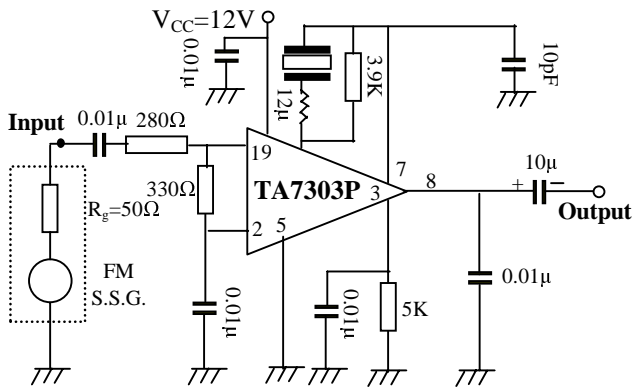
**JT10.7M Series of Ceramic Discriminator For FM (10.7MHz)  
(Compatible to Murata CDA10.7)**

Token JT 10.7 line of ceramic discriminators are resonate devices that offer adjustment free audio detection in both wide and narrow bandwidths. These IC dependent devices utilize FM specific detection methods to convert changes in frequency into an intelligible audio signal.

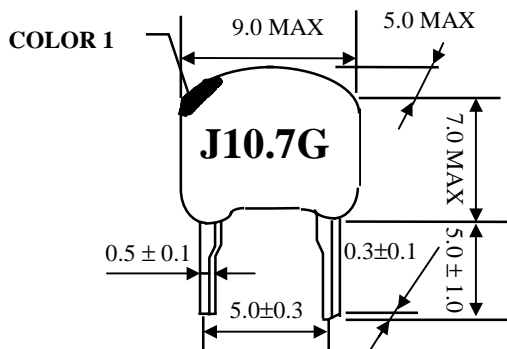
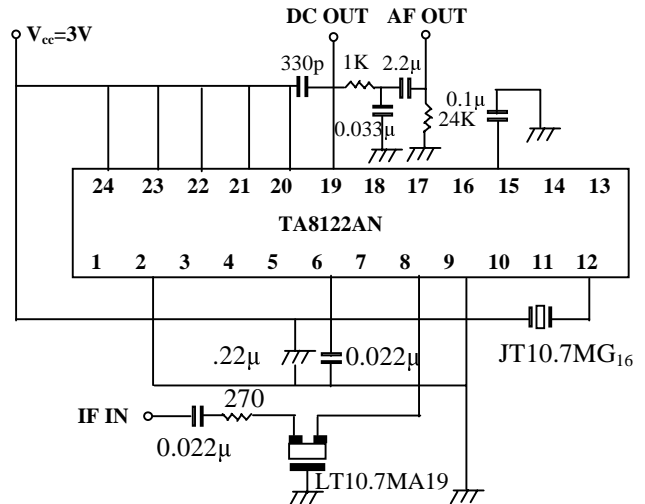
TECHNICAL CHARACTERISTICS				
Part Number	Demodulation Output at $f_o$ (mv) Min.	Distortion Factor at $f_o$ (%)Max.	Demodulation 3dB Bandwidth KHz (Min.)	Applicable IC
JT10.7MG1	25	1.0	345	CX-2009, CX-20111
JT10.7MG3	650	1.0	±150	TA7303P, TA7130, $\mu$ PC1028H, LA1150
JT10.7MG16	60~90	0.9	300	TA8122AN
JT10.7MG18	60~90	0.9	300	TA8132N
JT10.7MG33	45	0.7	250	TA2007
JT10.7MG80	65	1.0	300	TA2104AFN
JT10.7MG82	90	0.8	320	TA2099N
JT10.7MG92	60	1.0	300	TA2132P
JT10.7MC1	35	1.0	242	CXA1019M, CX-20091

STANDARD RULE					
Center Frequency	D 10.64MHz ±30KHz	B 10.67MHz ±30KHz	A 10.70MHz ±30KHz	C 10.73MHz ±30KHz	E 10.76MHz ±30KHz
Color	Black	Blue	Red	Orange	White

JT10.7MG<sub>3</sub> TEST CIRCUIT



JT10.7MG<sub>16</sub> TEST CIRCUIT

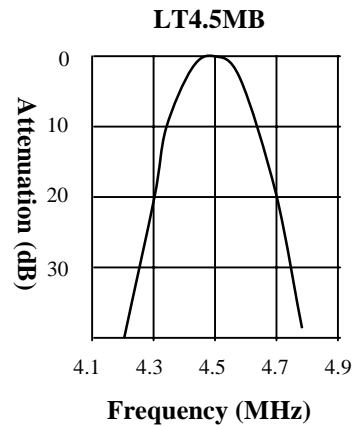
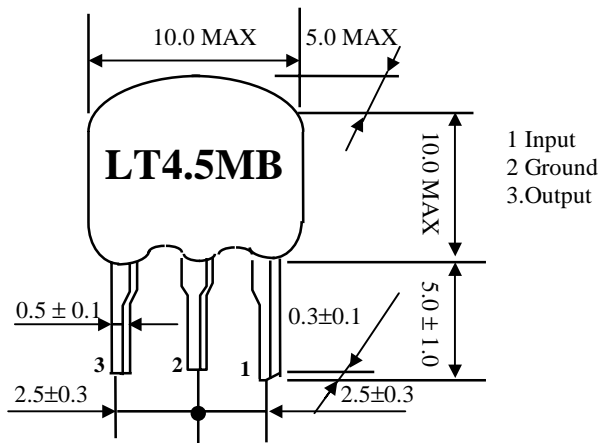




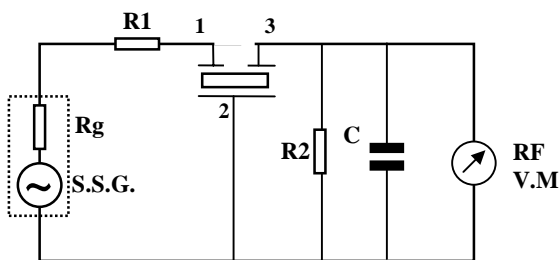
**LT MB Series of Ceramic Filter For TV/VCR Stage  
(Compatible to Murata SFE MB)**

Token ceramic filter LT MB series is a high selectivity filter for 2-channel multi-sound TV. Features with frequency adjustment-free, high performance and durability, and high selectivity.

TECHNICAL CHARACTERISTICS						
Part Number	Nominal Center Frequency (fn) (MHz)	3dB Band Width (KHz) Min.	20dB Band Width (KHz) Max	Insertion Loss (dB) Max.	Spurious Attenuation (dB) Min.	Input/Output Impedance (Ω)
LT4.5MB	4.500	fn±50	530	6.0	20(4.5 <sup>+0.8</sup> <sub>-1.0</sub> MHz)	1000
LT5.5MB	5.500	fn±75	550	6.0	25(5.5±1MHz)	600
LT6.0MB	6.000	fn±80	600	6.0	25(6.0±1MHz)	470
LT6.5MB	6.500	fn±80	630	6.0	25(6.5+1MHz) 30(6.5-1MHz)	470



**LT\_MB TEST CIRCUIT**



$R_g + R_1 = R_2 = 330\Omega$  ;  $C = 10pF$   
Including Stray Capacitance and  
Input Capacitance of RF Voltmeter.

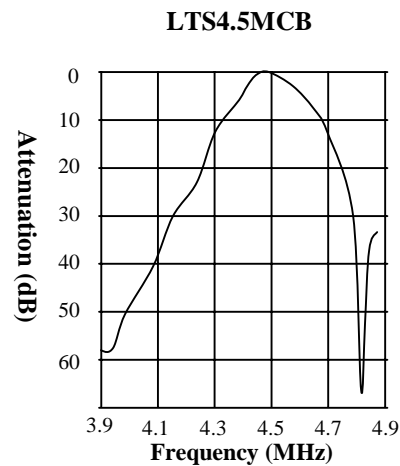
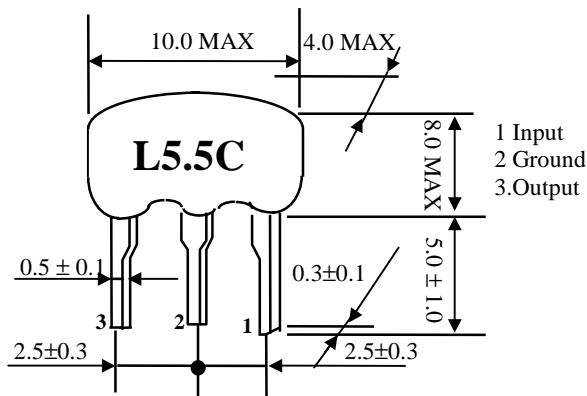


## Ceramic Filter LTS MCB/MDB Series For TV/VCR Stage (Low Spurious Type) 4.5-6.5MHz

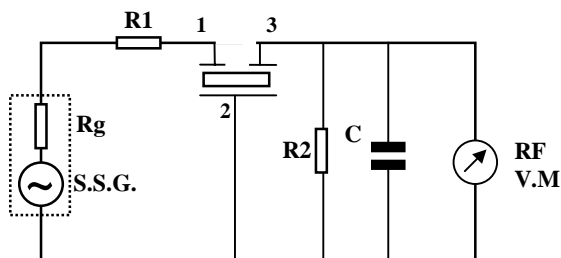
### LTS MCB/MDB Series of Ceramic Filter (4.5-6.5MHz) (Compatible to Murata SFSH MCB/MDB)

Token ceramic filter LTS MCB/MDB series use thickness shear vibration mode. Features with excellent spurious characteristics within Video Signal Band, and 3 types bandwidths prepared to respond customer requests. LTS MCB/MDB is suitable for Multiplex Sound TV in America.

TECHNICAL CHARACTERISTICS						
Part Number	Nominal Center Frequency (fn) (MHz)	3dB Band Width (KHz) Min.	20dB Band Width (KHz) Max.	Insertion Loss (dB) Max.	Spurious Attenuation (dB) Min.	Input/Output Impedance (Ω)
LTS4.5MCB	4.500	fn+60	600	6.0	30(0~fn)	1000
LTS4.5MDB	4.500	fn+70	750	6.0	30(0~fn)	1000
LTS5.5MCB	5.500	fn+60	600	6.0	30(0~fn)	600
LTS5.5MDB	5.500	fn±80	750	6.0	30(0~fn)	600
LTS6.0MCB	6.000	fn+60	600	6.0	30(0~fn)	470
LTS6.0MDB	6.000	fn±80	750	6.0	30(0~fn)	470
LTS6.5MCB	6.500	fn±70	650	6.0	30(0~fn)	470
LTS6.5MDB	6.500	fn±80	800	6.0	30(0~fn)	470



### LTS\_MCB/MDB TEST CIRCUIT



$R_g + R_1 = R_2 = 330\Omega$  ;  $C = 10\text{pF}$   
Including Stray Capacitance and  
Input Capacitance of RF Voltmeter.



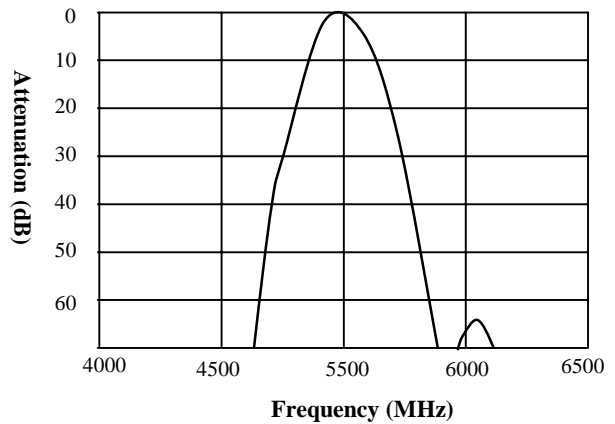
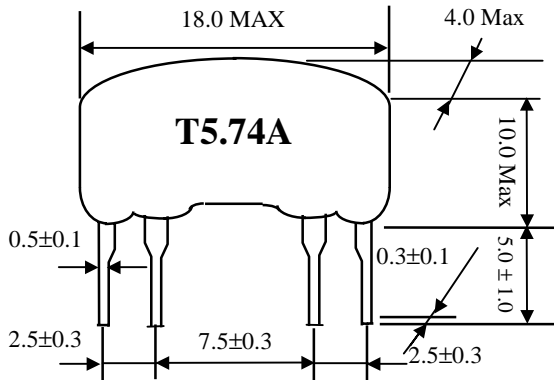
**LTT MA Series of Ceramic Filter (4.5-6.74MHz)  
(Compatible to Murata SFT)**

Token LTT ceramic filters are 4 element devices that offer more selectivity than the conventional LT series (Murata SFE series) of filters. The improved spurious suppression of these filters eliminates the need for cascading multiple filtering devices; therefore, it is possible to design a more compact circuit board configuration.

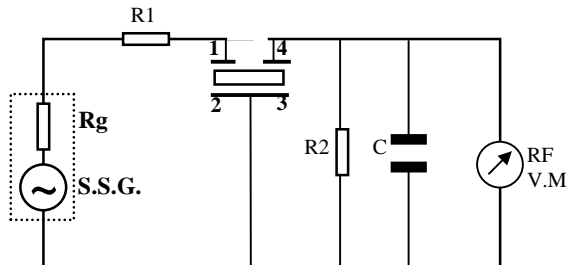
**TECHNICAL CHARACTERISTICS**

Part Number	Nominal Center Frequency (fn) (MHz)	3dB Band Width (KHz) Min.	20dB Band Width (KHz) Min.	Insertion Loss (dB) Max.	Spurious Attenuation (dB) Min.	Input/Output Impedance ( $\Omega$ )
LTT4.5MA	4.500	fn $\pm$ 40	370	10.0	40(4.5 $\pm$ 1MHz)	1000
LTT4.72MA	4.724	fn $\pm$ 40	370	10.0	40(4.72 $\pm$ 1MHz)	1000
LTT5.5MA	5.500	fn $\pm$ 50	350	9.0	50(5.5 $\pm$ 1MHz)	600
LTT5.74MA	5.742	fn $\pm$ 50	350	9.0	50(5.74 $\pm$ 1MHz)	600
LTT6.0MA	6.000	fn $\pm$ 50	400	9.0	50(6.0 $\pm$ 1MHz)	470
LTT6.25MA	6.250	fn $\pm$ 50	400	9.0	50(6.25 $\pm$ 1MHz)	470
LTT6.5MA	6.500	fn $\pm$ 50	400	9.0	50(6.5 $\pm$ 1 MHz)	470
LTT6.74MA	6.742	fn $\pm$ 50	400	9.0	50(6.74 $\pm$ 1MHz)	470

**LTT5.5MA**



**LTT\_MA TEST CIRCUIT**



Rg + R1 = R2 = Input and Output Impedance  
C = 10pF (Including Stray Capacitance and Input Capacitance of RF Voltmeter.)



## Ceramic Trap XT MB Series For TV/VCR Stage

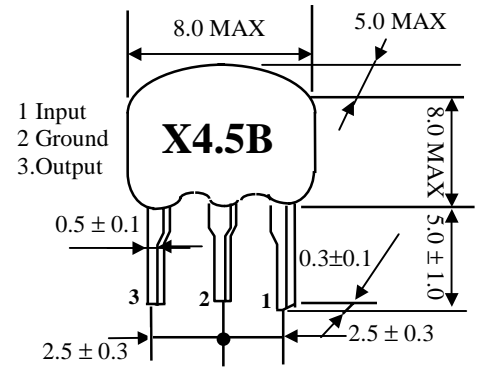
4.5-6.5MHz

### XT MB Series of Ceramic Trap (4.5-6.5MHz) (Compatible to Murata SFE MB)

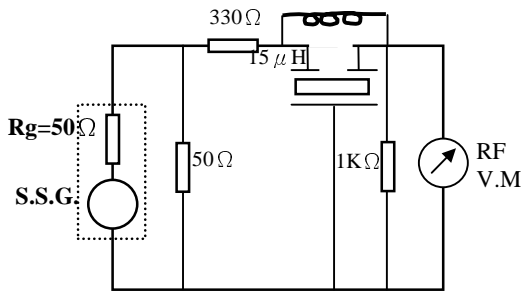
Token XT MJ/MB lines of ceramic traps are band reject filters used for video and sound IF attenuation. The 3-terminal XT MB Series contains 2 trap elements on one substrate for additional attenuation. This line of traps can be used in the sound IF of CATV/VCR receivers.

TECHNICAL CHARACTERISTICS			
Part Number	Center Frequency (fn1)(MHz)	Attenuation (at fn1) (dB)Min.	30dB Attenuation BW (fn1) (KHz)Min.
XT3.58MB	3.580	25	40(25dB Att. BW)
XT4.43MB	4.430	30	40
XT4.5MB	4.500	35	50
XT5.5MB	5.500	35	70
XT5.74MB	5.742	35	70
XT6.0MB	6.000	35	70
XT6.5MB	6.500	35	70

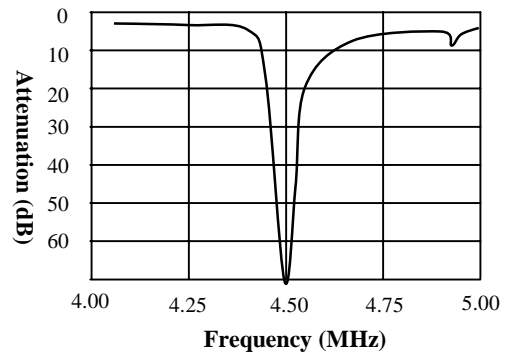
\* The level at 1MHz shall be made for a reference (0dB)



### XT MB TEST CIRCUIT



### XT4.5MB



## Ceramic Trap XT MW Series Of Double Trap

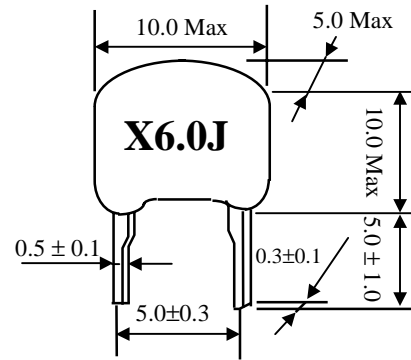
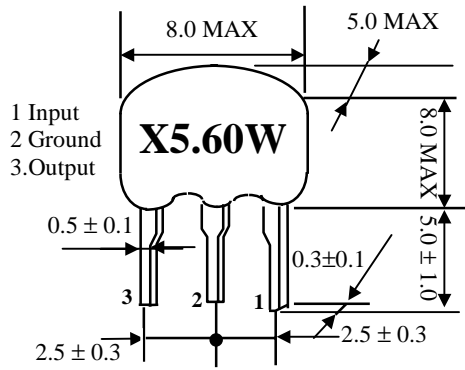
4.5-6.5MHz

### XT MW Series of Double Ceramic Trap (Compatible to Murata TPWA)

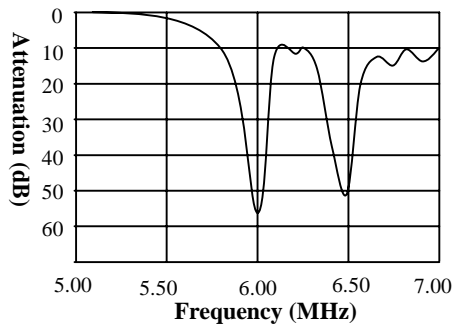
Token ceramic trap XT MW TPWA series consists of 2 wafers with 2 trap frequencies. Recommended for Multi standard set. Features with good performance of attenuation and space saving with 3-terminal type.

TECHNICAL CHARACTERISTICS					
Part Number	Center Frequency (fn1) (MHz)	Center Frequency (fn2) (MHz)	Attenuation (at fn1) (dB) min	Attenuation (at fn2) (dB) min	30dB Attenuation BW (fn1) (KHz) min
XT4.47MW	4.500	4.724	30	30	50
XT4.60MW	4.500	6.000	30	30	50
XT5.67MW	5.500	5.742	30	30	50
XT5.60MW	5.500	6.000	30	30	50
XT5.65MW	5.500	6.500	30	30	50
XT6.65MW	6.000	6.500	30	30	70

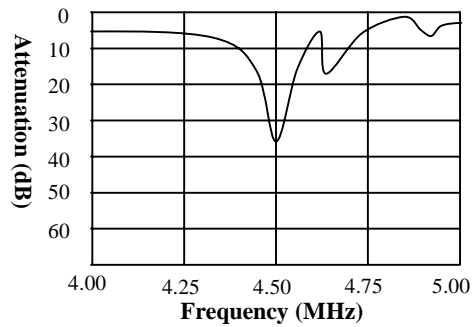
\* The level at 1MHz shall be made for a reference (0dB)



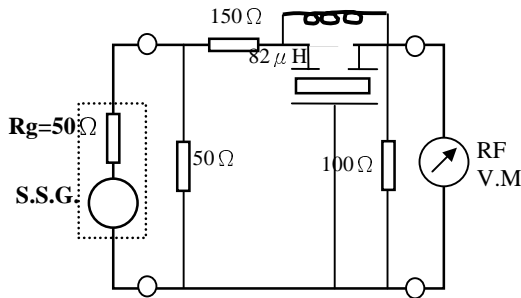
**XT6.65MW**



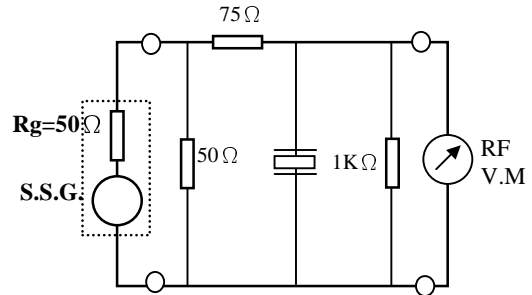
**XT4.5MJ**



**XT MW TEST CIRCUIT**



**XT MJ TEST CIRCUIT**



**Ceramic Trap XT MJ Series For Chrominance Carrier 3.58-6.5MHz**

**XT MJ Series of Ceramic Trap  
(Compatible to Murata TPS MJ)**

Token XT MJ/MB lines of ceramic traps are band reject filters used for video and sound IF attenuation. The 2 terminal XT MJ Series can be used to attenuate either the sound signal in B/W receivers or the chroma signal in video.

TECHNICAL CHARACTERISTICS			
Part Number	Center Frequency (fn1) (MHz)	Attenuation (at fn1 ) (dB) min	30dB Attenuation BW (fn1) (KHz) min
XT3.58MJ	3.580	20	20
XT4.43MJ	4.430	20	30
XT4.5MJ	4.500	20	30
XT5.5MJ	5.500	20	30
XT5.74MJ	5.742	20	40
XT6.0MJ	6.000	20	40
XT6.5MJ	6.500	20	40

\* The level at 1MHz shall be made for a reference (0dB)

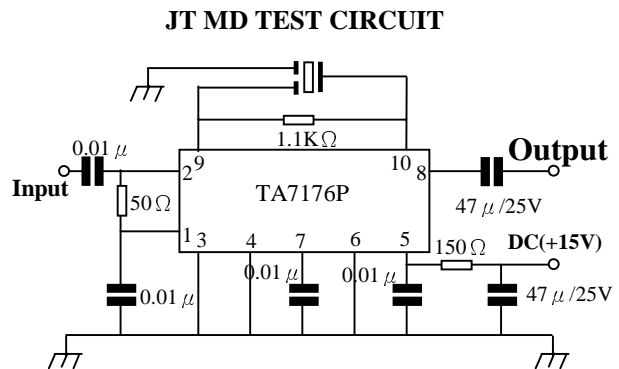
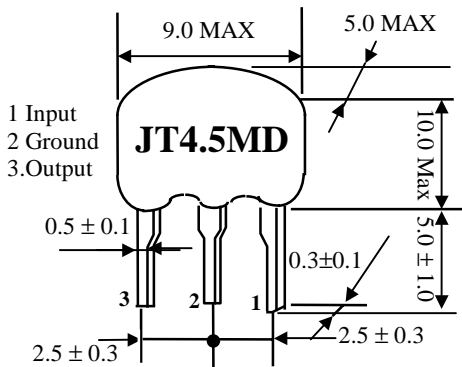




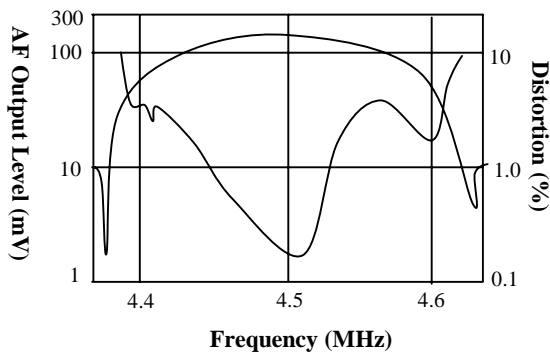
**JT MD Series of Ceramic Discriminator  
(Compatible to Murata CDA MD)**

Token JT MD lines of ceramic discriminators are IC dependent devices used in the recovery of audio signals. The JT MC discriminators have three terminals with IC  $\mu$ PC1382C and quadrature detection while the JT MD discriminators with IC TA7176P and differential peak detection.

TECHNICAL CHARACTERISTICS					
Part Number	Recovered Audio Voltage (mV)	Recovered Audio3dB Band Width (KHz)	Distortion Factor (%)	Detection Method	Applicable IC
JT4.5MD	$\geq 100$	$\geq \pm 50$	$\leq 3$	Differential Peak	TA7176P
JT5.5MD	$\geq 100$	$\geq \pm 50$	$\leq 3$		TA7176P
JT6.0MD	$\geq 100$	$\geq \pm 50$	$\leq 3$		TA7176P
JT6.5MD	$\geq 100$	$\geq \pm 50$	$\leq 3$		TA7176P



**JT4.5MD**

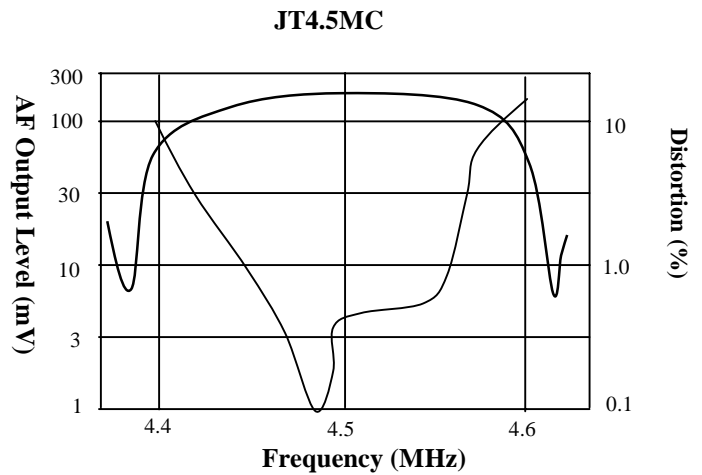
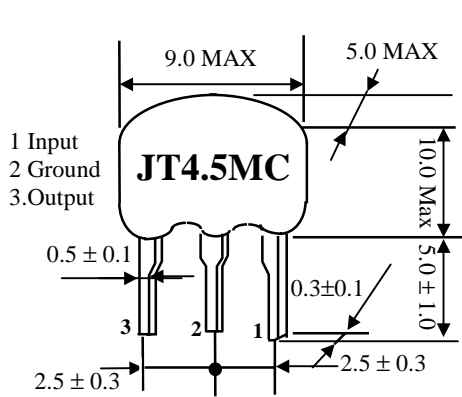




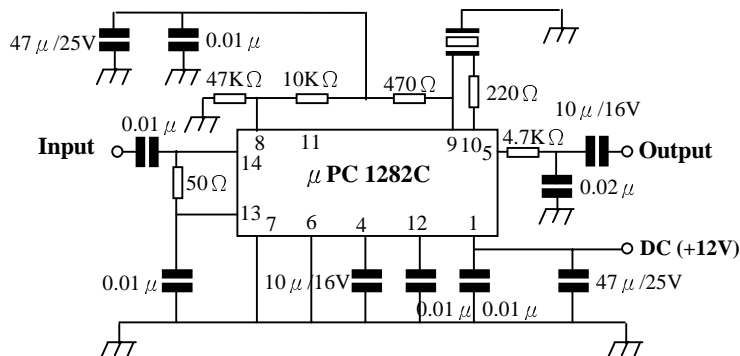
**JT MC Series of Ceramic Discriminator  
(Compatible to Murata CDA MC)**

Token JT MC lines of ceramic discriminators are IC dependent devices used in the recovery of audio signals. The JT MC discriminators have three terminals with IC  $\mu$ PC1382C and quadrature detection while the JT MD discriminators with IC TA7176P and differential peak detection.

TECHNICAL CHARACTERISTICS					
Part Number	Recovered Audio Voltage (mV)	Recovered Audio 3dB Band Width (KHz)	Distortion Factor (%)	Detection Method	Applicable IC
JT4.5MC	$\geq 140$	$\geq \pm 55$	$\leq 1.5$	Quadrature	$\mu$ PC1382C
JT5.5MC	$\geq 140$	$\geq \pm 55$	$\leq 1.5$		$\mu$ PC1382C
JT6.0MC	$\geq 140$	$\geq \pm 60$	$\leq 1.5$		$\mu$ PC1382C
JT6.5MC	$\geq 200$	$\geq \pm 60$	$\leq 1.5$		$\mu$ PC1382C

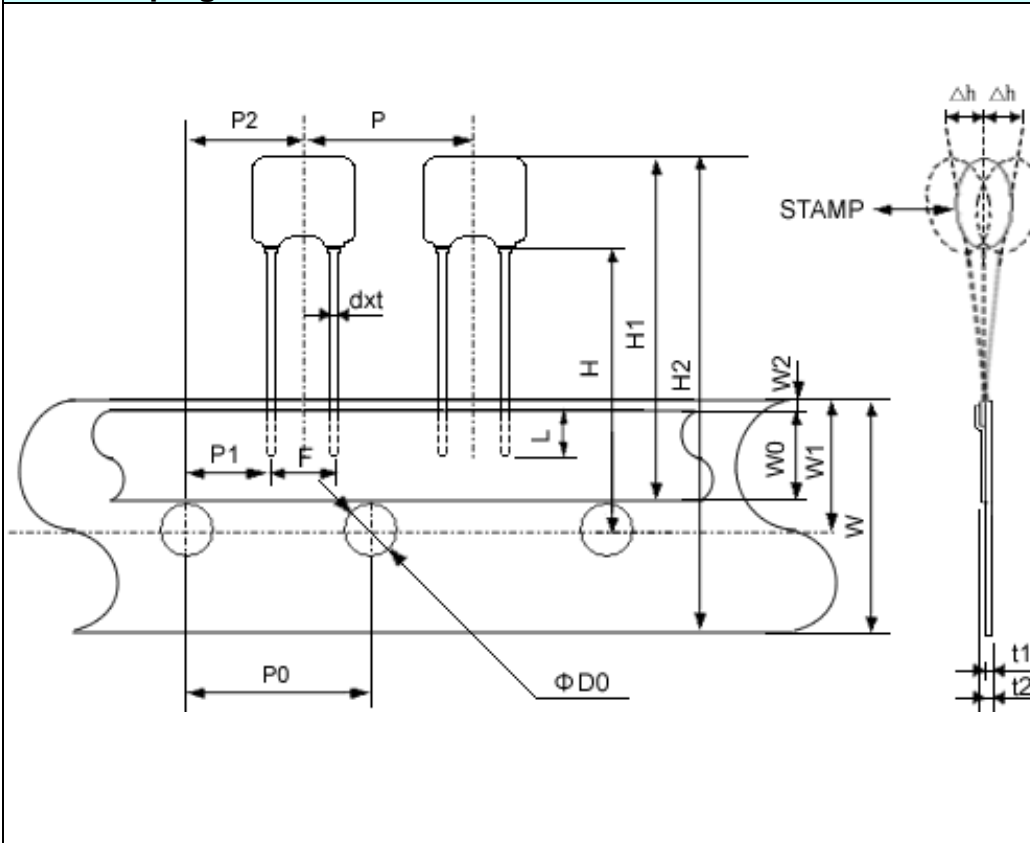


**JT MC TEST CIRCUIT**



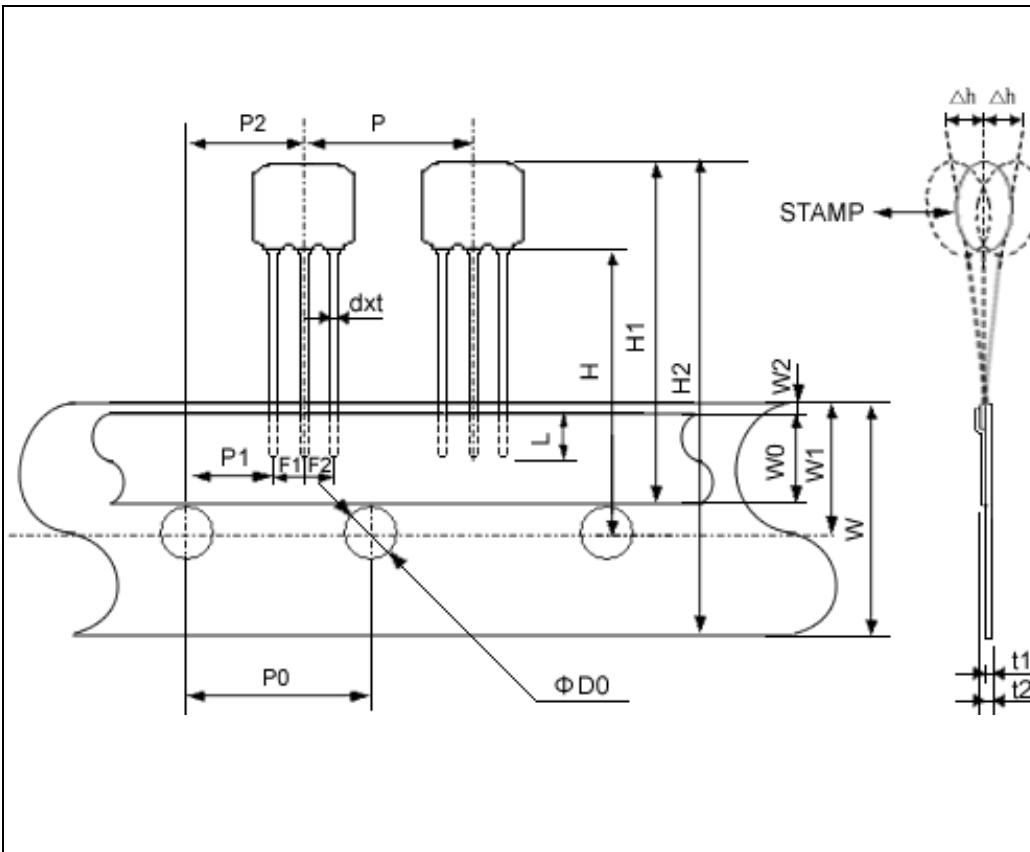


**Radial Taping Dimensions**



Mark	Size(mm)
P	12.7±0.5
P0	12.7±0.2
P1	3.85±0.5
P2	6.35±1.3*
F	5.0
dxt	0.5×0.3(±0.1)
W	18.0±0.5
W0	5.5 ±0.5
W1	9.0±0.5
W2	1.0max
H	18.0
H1	27.0max**
H2	36.0max**
L	3.0min
φ D0	4.0±0.2
T1	0.6±0.2
T2	1.5max
Δh	1.0max

\* Include the slant of products  
 \* \* Varies with part number



Mark	Size(mm)
P	12.7±0.5
P0	12.7±0.2
P1	3.85±0.5
P2	6.35±1.3*
F1	2.5±0.3
F2	2.5±0.3
dxt	0.5×0.3(±0.1)
W	18.0±0.5
W0	5.5 ±0.5
W1	9.0±0.5
W2	1.0max
H	18.0 <sup>+0.5</sup> <sub>-1.0</sub>
H1	27.0max**
H2	36.0max**
L	3.0min
Φ D0	4.0±0.2
t1	0.6±0.2
t2	1.5max
Δh	1.0max

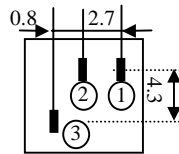
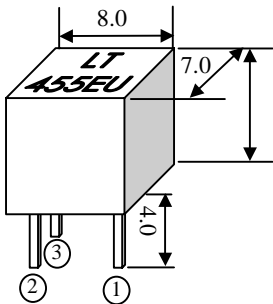
\* Include the slant of products  
 \* \* Varies with part number



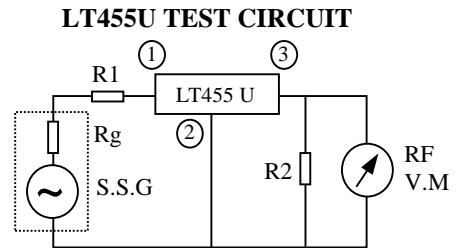
**LT455/450 U/W Series of Ceramic Filter  
(Compatible to Murata CF,SF)**

Token LT 455/450 U/W ceramic filters are 4-element and 6-element devices connected in ladder form. These highly selective filters are designed to address the G.D.T. characteristics required in digital communications. The excellent G.D.T. characteristics allow these filters tube utilized in areas such as the mobile cellular markets as well as a variety of stereo applications. (Also available in 450KHz version.)

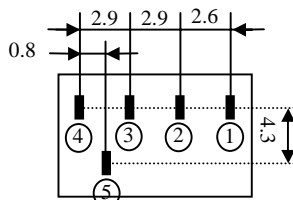
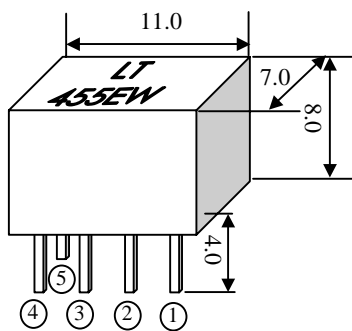
Part Number		Center Frequency ( KHz )	Insertion Loss (dB) Max	Pass Band Ripple ( dB ) Max	6dB Band Width (KHz) Min	40dB Band Width (KHz) Max (LT 455. U)	50dB Band Width (KHz) Max (LT 455. W)	Stop Band Attenuation $f_o \pm 100\text{KHz}$ (dB) Min		Input/output Impedance  ( $\Omega$ )
								LT (455. U)	LT (455. W)	
LT455BU	LT455BW	455±2.0	4	2	±15	±30	±30	28	40	1500
LT455CU	LT455CW	455±2.0	4	2	±12.5	±24	±24	28	40	1500
LT455DU	LT455DW	455±1.5	4	2	±10	±20	±20	28	40	1500
LT455EU	LT455EW	455±1.5	6	2	±7.5	±15	±15	28	40	1500
LT455FU	LT455FW	455±1.5	6	2	±6	±12.5	±12.5	28	40	2000
LT455GU	LT455GW	455±1.5	6	2	±4.5	±10	±10	28	40	2000
LT455HU	LT455HW	455±1.0	6	2	±3	±9	±9	28	40	2000
LT455IU	LT455IW	455±1.0	6	2	±2	±7.5	±7.5	28	40	2000
LT455HTU	LT455HTW	455±1.0	6	2	±3	±9	±9	35	60	2000



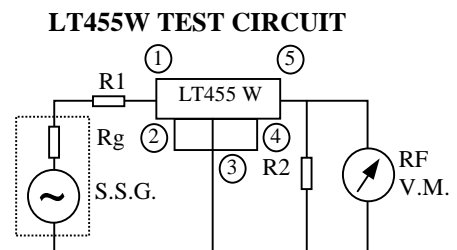
- 1. Input
- 2. Ground
- 3. Output



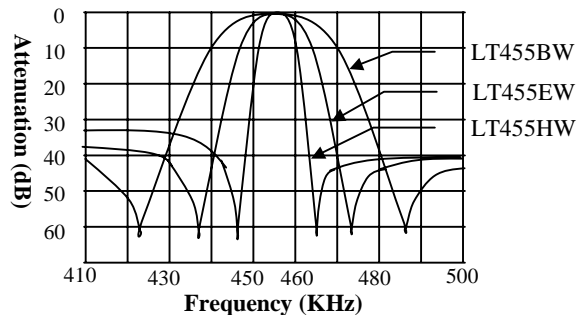
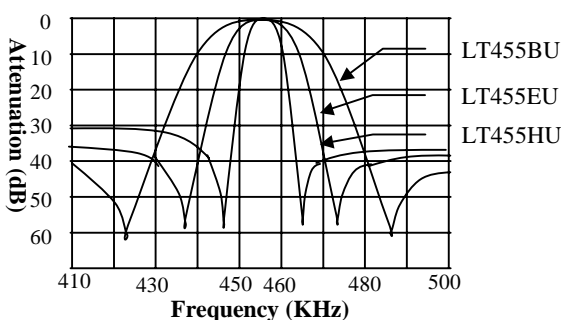
$R_g + R_1 = R_2 = \text{Input/Output Impedance}$



- 1. Input
- 2-3-4. Ground
- 5. output



$R_g + R_1 = R_2 = \text{Input/Output Impedance}$

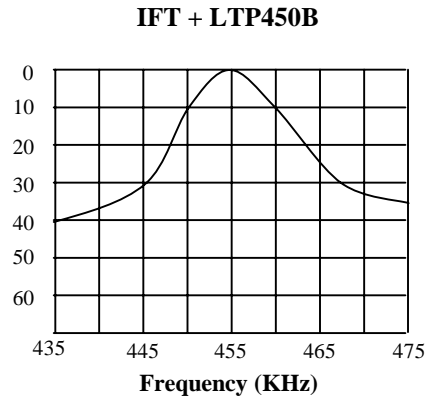
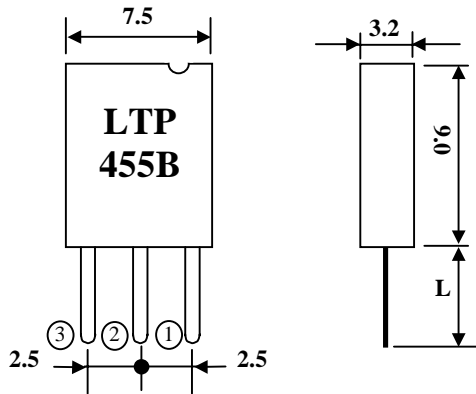




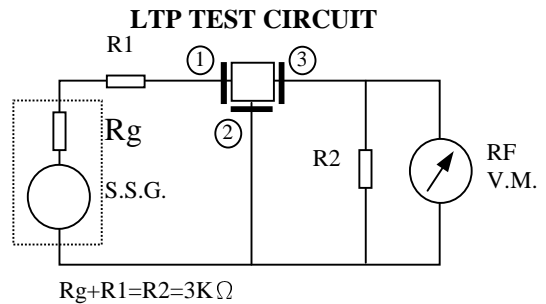
**LTP Series of Ceramic Filter For AM  
(Compatible to Murata SFU450/455)**

Token LTP and LTZ ceramic filters were designed to address the needs of standard AM filtering requirements. These filters are recommended for use in low cost products where economically, efficient designs are critical.

TECHNICAL CHARACTERISTICS							
Part Number	3dB Band Width (KHz)	Selectivity (dB) min		Insertion Loss (dB) max	Composition	Lead Length L (mm)	
		-9KHz off	+9KHz off			L1	L2
LTP455A	10±3	5.0	3.0	5.0	one element	3.6	5.0
LTP455B	10±3	5.0	3.0	5.0	one element with IFT		
LTP450BY	7±2	6.5	5.5	5.0			
LTP450BY1	4.5±1.5	9.5	8.5	5.0			



Type	LTP455B		
<p>Winding Specification From bottom</p>	1~2	2~3	4~6
Winding Specification	70T	115T	7T
Unload Qu	105		
Tuning Capacity	180pF		





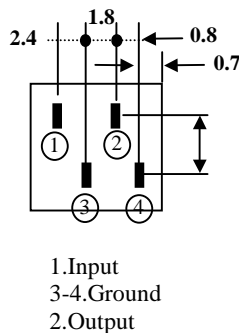
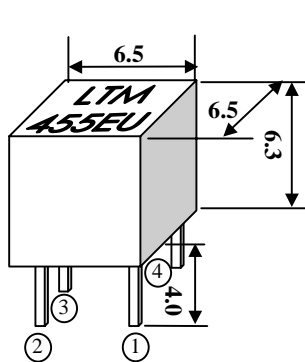
## LTM455/450 U/W Series

(Compatible to Murata SFUM/WM 455/450)

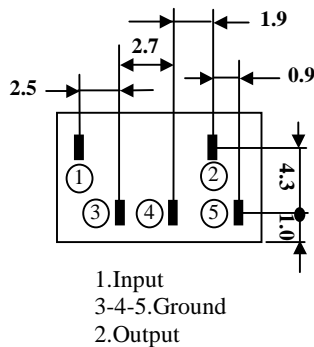
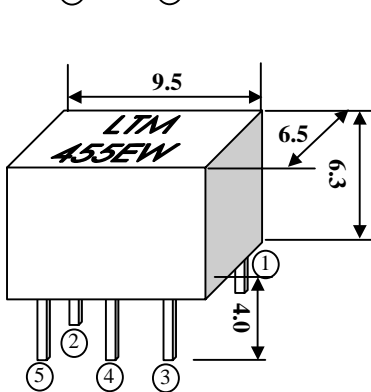
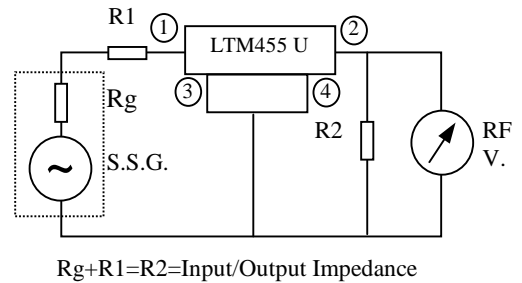
Token LTM 455/450 U/W series of ceramic filters are miniaturized versions of the Murata CFU/CFWS lines. These compact, highly selective filters are recommended for use in applications ranging from two-way radio to auxiliary filters in high-class transceivers. These ultra-miniature versions consume approximately 40% less volume while still offering the same high performance filter characteristics.

### TECHNICAL CHARACTERISTICS

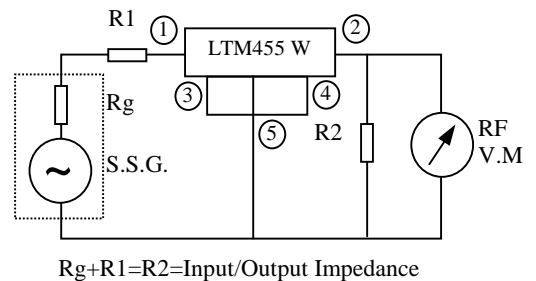
Part Number		Center Frequency (KHz)	Insertion Loss (dB) Max	Pass Band Ripple (dB) Max	6dB Band Width (KHz) Min	40dB Band Width (KHz) Max	50dB Band Width (KHz) Max	Stop Band Attenuation $f_o \pm 100\text{KHz}$ (dB) Min		Input/output Impedance ( $\Omega$ )
								LTM 455 U	LTM 455 W	
LTM455BU	LTM455BW	455±2.0	4	2	±15	±30	±30	28	40	1500
LTM455CU	LTM455CW	455±2.0	4	2	±12.5	±24	±24	28	40	1500
LTM455DU	LTM455DW	455±1.5	4	2	±10	±20	±20	28	40	1500
LTM455EU	LTM455EW	455±1.5	6	2	±7.5	±15	±15	28	40	1500
LTM455FU	LTM455FW	455±1.5	6	2	±6	±12.5	±12.5	28	40	2000
LTM455GU	LTM455GW	455±1.5	6	2	±4.5	±10	±10	28	40	2000
LTM455HU	LTM455HW	455±1.0	6	2	±3	±9	±9	28	40	2000
LTM455IU	LTM455IW	455±1.0	6	2	±2	±7.5	±7.5	28	40	2000
LTM455HTU	LTM455HTW	455±1.0	6	2	±3	±9	±9	35	60	2000



LTM/U TEST CIRCUIT

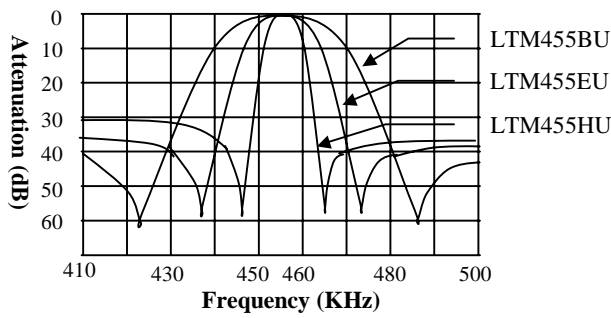


LTM/W TEST CIRCUIT

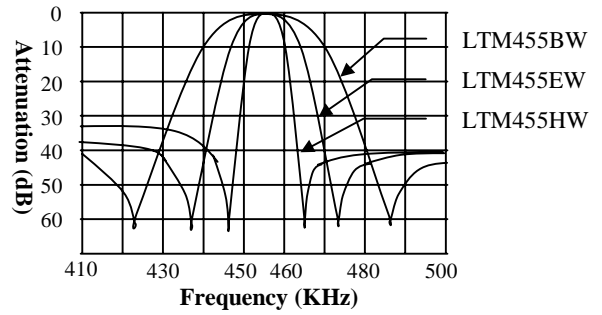




**LTM455/U CHARACTERISTICS**



**LTM455/W CHARACTERISTICS**



**Ceramic Filter Miniature LT Series 450/470KHz**

**Miniature LT Series of Ceramic Filter  
(Compatible to Murata PFB)**

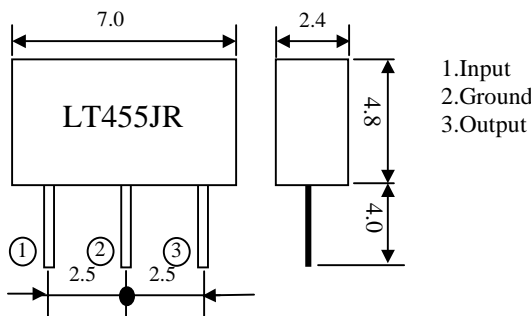
Token's ceramic filter for AM use is one of the most recommendable intermediate filters, having such distinctive features as high selectivity, high stability and adjustment-free operation. Additionally its easy matching with IC helps create an easy circuit design such as applications in Electric synthesized tuners, HiFi audio systems, AM stereo demodulations, One-chip non-adjustment IC's, and even smaller, thinner set structure to cope with these diversifying for AM receiver. Token ceramic filter features with center frequency between 450 and 470 KHz, standard tolerance  $\pm 2$  KHz, and synthesizers for the types of center frequencies 450, 459 and 468 KHz. Standard tolerance is  $\pm 1$  KHz.

TECHNICAL CHARACTERISTICS				
Part Number	3dB Band Width (KHz)	Selectivity $\pm 9$ KHz off(dB)	Insertion Loss (dB)	Composition
LT455JR	$5.5 \pm 1.5$	$\geq 17$	$\leq 6$	2 elements

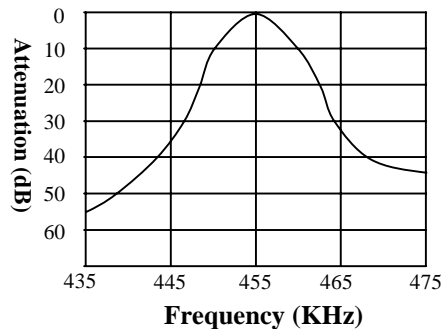
Center Frequency ( $f_0$ ) is available in a range of 450-470KHz

The nominal frequency tolerance is  $\pm 2$ KHz

Type	7x7mm			5x5mm		
Winding Specification	1~2	2~3	4~6	1~2	2~3	4~6
<p>From bottom unloaded <math>Q_u</math></p>	85T	67T	23T	84T	98T	33T
Tuning Capacity	180pF			180pF		



**IFT + LT455JR**





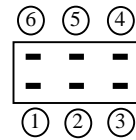
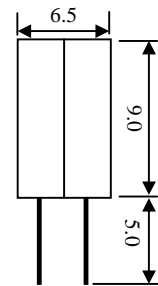
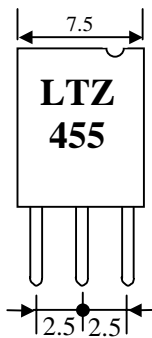
**LTZ Series of Ceramic Filter For AM  
(Compatible to Murata SFZ)**

Token LTP and LTZ ceramic filters were designed to address the needs of standard AM filtering requirements. These filters are recommended for use in low cost products where economically, efficient designs are critical.

TECHNICAL CHARACTERISTICS				
Part Number	3dB Band Width (KHz)	Selectivity $\pm 9\text{KHz}$ Off	Insertion Loss (dB)	Composition
LTZ455HL	$4.0 \pm 1$	28	7	2 elements direct coupling type
LTZ455JL	$5.5 \pm 1$	18	7	

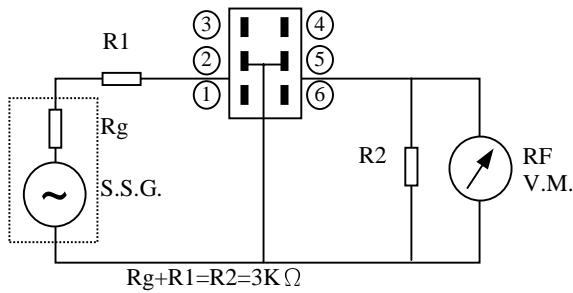
Center Frequency ( $f_0$ ) is available in a range of 450-470KHz  
The nominal frequency tolerance is  $\pm 2\text{KHz}$

Recommended IFT (7mm Square)	
Type	LTZ455HL/JL
Winding Specification	1~2 2~3 4~6
	68T 84T 14T
From bottom	
Unloaded $Q_u$	90
Tuning Capacity	180PF

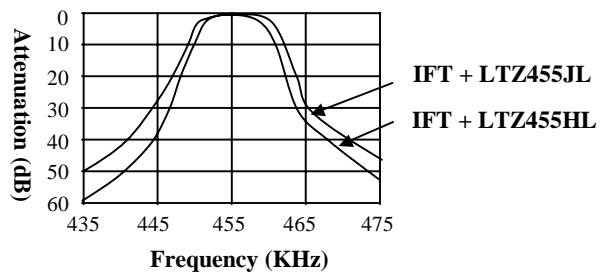


- 1. Input
- 5-2. Ground
- 4-3. Direct Couple
- 6. Output

**LTZ TEST CIRCUIT**



**LTZ CHARACTERISTICS**







## Ceramic Filter LZU Series for Search-Stop Signal Detection

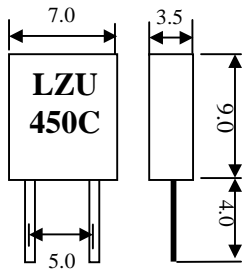
450KHz

### LZU Series Of Ceramic Filter (Compatible to Murata BFU)

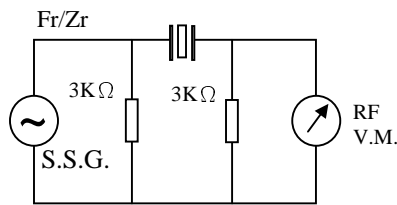
Token ceramic filter LZU 450 KHz search stop signal detection were specifically designed for signal detection circuitry used in applications such as that found in the search-stop functions of electronically tuned radios. Center frequency is also available in LTZ series a range of 450 KHz ~ 470 KHz.

#### TECHNICAL CHARACTERISTICS

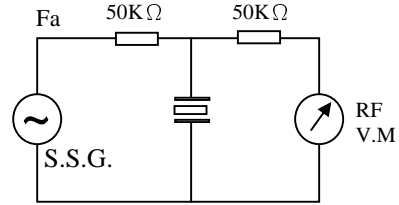
Part Number	Resonant Frequency (KHz)	Resonant Resistance ( $\Omega$ ) max	Band Width (Fa-Fr) KHz	Application
LZU450C	450 $\pm$ 1	20	14 $\pm$ 2	IF signal detection
LZU450C4N	450 $\pm$ 0.8	30	9 $\pm$ 2	



LZU TEST CIRCUIT-Fr/Zr



LZU TEST CIRCUIT-Fa



## Ceramic Filter LT Series for Radio-Cassette Recorder

450/470KHz

### LT SERIES FOR RADIO-CASSETTE RECORDER

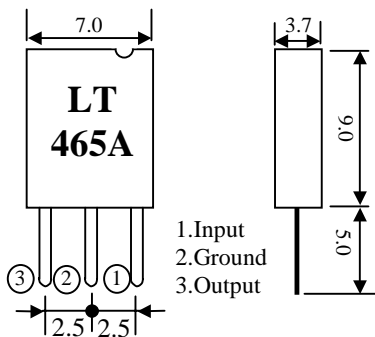
Token LT465A ceramic filters were designed to address the needs of standard radio cassette recorder requirements. These filters are recommended for use in low cost products where economically, efficient designs are critical. The nominal frequency tolerance is  $\pm 2$  KHz.

#### TECHNICAL CHARACTERISTICS

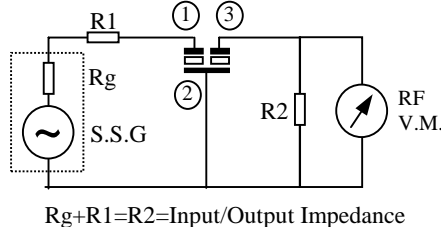
Part Number	Insertion loss (db)	Pass Band Width (KHz)	Stop Band Width (KHz)	Selectivity $\pm 9$ KHz off	Ripple (dB)	Input/Output Impedance (K $\Omega$ )
LT465A	$\leq 3$	$\leq 8$	$\leq 12$	$\leq 11$	$\leq 1$	2

Center Frequency( $f_0$ ) is available in a range of 450-470KHz

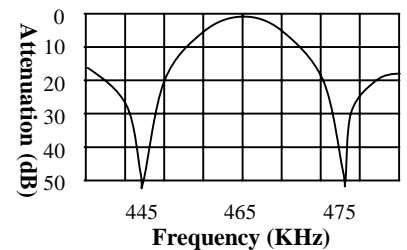
The nominal frequency tolerance is  $\pm 2$ KHz



LT TEST CIRCUIT



LT465A





### JTM Series of Ceramic Discriminator For Communication (455kHz)

Token JTM discriminator including features with small in size and light weight, realize non-adjustment in detection circuit, high sensitivity and stability, wide range of standard products are available for various ICs, operating temperature range:-20°C to +80°C and storage temperature range:-40°C to +85°C. Standard line includes products for a wide range of applications, from cordless telephones to cellular telephones, making non-adjustment and shrinking of the detection circuit possible.

TECHNICAL CHARACTERISTICS					
Part Number	Center Frequency $f_0$ (KHz)	Recovered Audio 3dB BW (KHz) min	Recovered Audio Output (mV) min	Distortion Factor At $f_0$ (%) max	Applicable IC
JTM455C <sub>2</sub>	455±2			3	TA8104F
JTM455C <sub>3</sub>	455±2			3	CTA1184N
JTM455C <sub>28</sub>	455±2	$f_n \pm 4$	40±25	3	TA31142FN
JTM455C <sub>32</sub>	455±2	$f_n \pm 4$	40±20	3	TA31143

