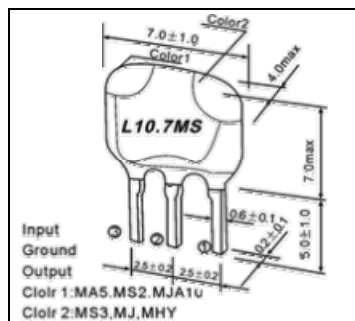


LT10.7 SERIES CERAMIC FILTER

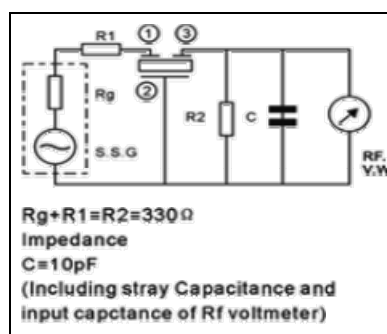
TECHNICAL CHARACTERISTICS

Part Number		3db Band Width (KHz)	20db Band Width (KHz)	Insertion Loss (db)	Spurious Affenuation (9-12MHz) (db) min
Dip Type	SMD Type				
LT10.7MA5	LTCA10.7MA5	280 ± 50	650	6	30
LT10.7MS2	LTCA10.7MS2	230 ± 50	600	6	40
LT10.7MS3		180 ± 40	520	7	40
LT10.7MJ		150 ± 40	400	10	38
LT10.7MA5A10	LTCV10.7MA5	280 ± 50	590	2.5 ± 2.0	30
LT10.7MS2A10	LTCV10.7MS2	230 ± 50	520	3.0 ± 2.0	35
LT10.7MS3A10	LTCV10.7MS3	180 ± 40	470	3.5 ± 1.5	35
LT10.7MJA10		150 ± 40	360	4.5 ± 2.0	35
LT10.7MA19		≥ 350	950	3 ± 2	20
LT10.7MA20		330 ± 50	680	4 ± 2	30
LT10.7MHY		110 ± 30	350	7 ± 2	30
LT10.7MFP		≤ 20	95	6.0max	24

DIMENSION (mm)



TEST CIRCUIT



CHARACTERISTICS

