

BUZZER

SMT Buzzer Series

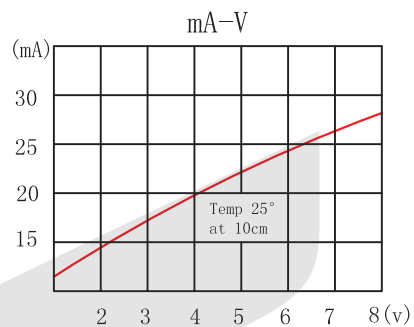
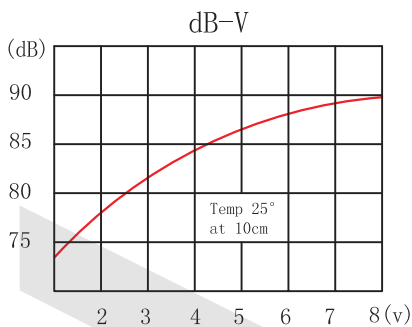
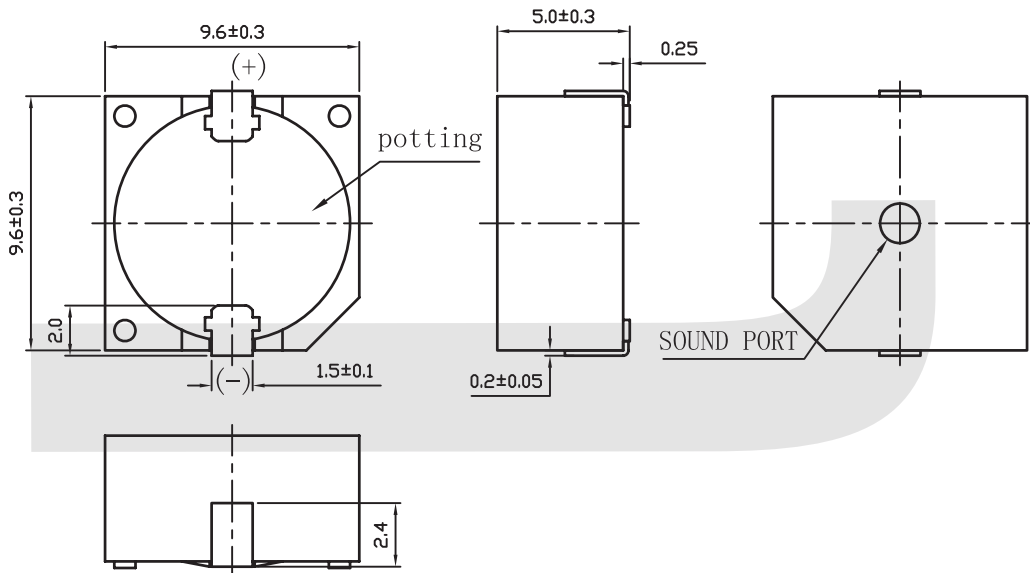
KLS3-SMT-10*05 9.6*9.6*5.0mm SMT Buzzer Series

SPECIFICATIONS

Rated Voltage	5V _{DC}
Operating Voltage	4-7V _{DC}
Max. Rated Current	30mA
Min. S.P.L. (@ 10cm)	MIN. 85 at Rated Voltage at 10cm
Tone/Pulse Rate	Constant
Resonant Frequency	2700 ± 0.3Hz
Operating Temp	-20 ~ +70 °C
Weight	1.5g



Dimensions (Unit:mm)



ORDER INFORMATION

Product NO.: KLS3-SMT - 10*05

Part Number

SMT Buzzer Series

Size specifications