

1

2

3

4

5

6

7

8

A

B

C

D

E

F

A

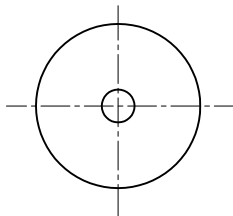
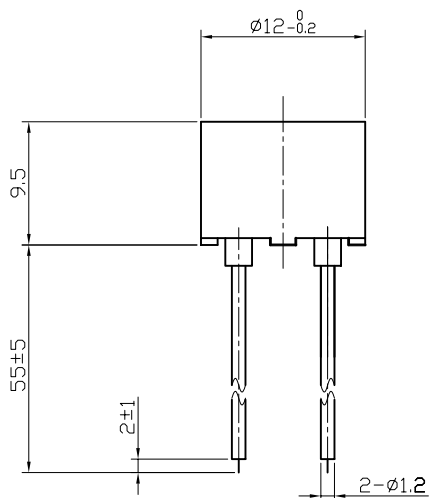
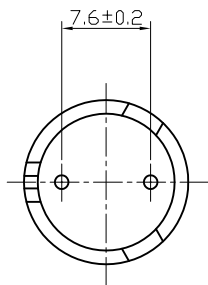
B

C

D

E

F



SPECIFICATION

- 1. Rated Voltage3VDC
- 2. Operating Voltage2~5VDC
- 3. Max. Rated Current30mA/3VDC
- 4. Resonant Frequency2300±300Hz
- 5. Min. Sound Pressure Level.....80dB/10cm
- 6. Response Time50ms
- 7. Case MaterialPBT
- 8. Operating Temperature-20~+70°C
- 9. Store Temperature-30~+80°C
- 10. Weight2g

				KEPO NINGBO KEPO ELECTRONIC CO.,LTD http://www.chinaacoustic.com	
				Magnetic Buzzer KPX-1203AL	
No.	DESCRIPTION	APPROVED	DATE		
TOLERANCES UNLESS NOTED OTHERWISE X ± .XX ± .XXX ± 90° FORMED ±15° ANGLES -1°		APPROVALS	DATE	UNIT	DWG NO.
FIRST ANGLE PROJECTION		CHECKED		mm	KP3.840.666
		APPROVED	04.11.27	SCALE	SHEET
				NOT TO SCALE	VER 1.0

1

2

3

4

5

6

7

8