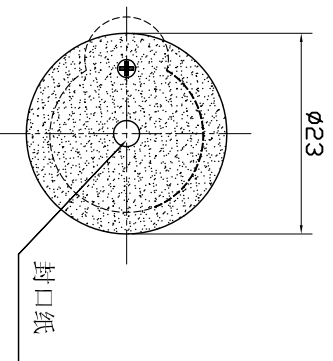
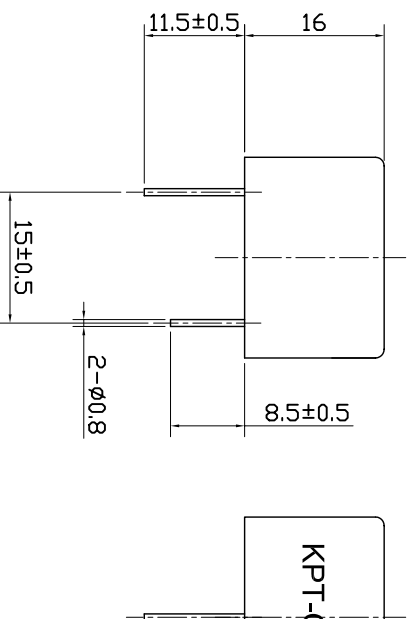


SPECIFICATION

- 1. Rated Voltage 12V-p-p Square Wave
- 2. Operating Voltage 30V-p-p Square Wave
- 3. Max. Rated Current 4mA at 3.3KHz/12V-p-p Square Wave
- 4. Resonant Frequency 3.3±0.5KHz
- 5. Min. Sound Pressure Level 85dB at 3.3KHz/12V-p-p Square Wave /30cm
- 6. Case Material ABS
- 7. Capacitance at 120Hz 15000pF±30%
- 8. Operating Temperature -20~+60°C
- 9. Store Temperature -30~+70°C
- 10. Weight 4.5g

KPT-G2330



Compliance with ROHS	
KEPO NINGBO KEPO ELECTRONIC CO.,LTD http://www.chinaacoustic.com	
No. _____	DATE _____
DESCRIPTION	APPROVED
DATE	DATE
APPROVALS	DATE
DRAWN	CHECKED
CHECKED	APPROVED
UNIT	DWG NO.
SCALE	SHEET
NOT TO SCALE	VER. 1.0
Piezo Transducer QUARTZ-1 KPT-G2330-3193	
OEM3193R	

01.00
 02.00
 03.00
 04.00
 05.00
 06.00
 07.00
 08.00
 09.00
 10.00
 11.00
 12.00
 13.00
 14.00
 15.00
 16.00
 17.00
 18.00
 19.00
 20.00
 21.00
 22.00
 23.00
 24.00
 25.00
 26.00
 27.00
 28.00
 29.00
 30.00
 31.00
 32.00
 33.00
 34.00
 35.00
 36.00
 37.00
 38.00
 39.00
 40.00
 41.00
 42.00
 43.00
 44.00
 45.00
 46.00
 47.00
 48.00
 49.00
 50.00
 51.00
 52.00
 53.00
 54.00
 55.00
 56.00
 57.00
 58.00
 59.00
 60.00
 61.00
 62.00
 63.00
 64.00
 65.00
 66.00
 67.00
 68.00
 69.00
 70.00
 71.00
 72.00
 73.00
 74.00
 75.00
 76.00
 77.00
 78.00
 79.00
 80.00
 81.00
 82.00
 83.00
 84.00
 85.00
 86.00
 87.00
 88.00
 89.00
 90.00
 91.00
 92.00
 93.00
 94.00
 95.00
 96.00
 97.00
 98.00
 99.00
 100.00
 FIRST ANGLE PROJECTION