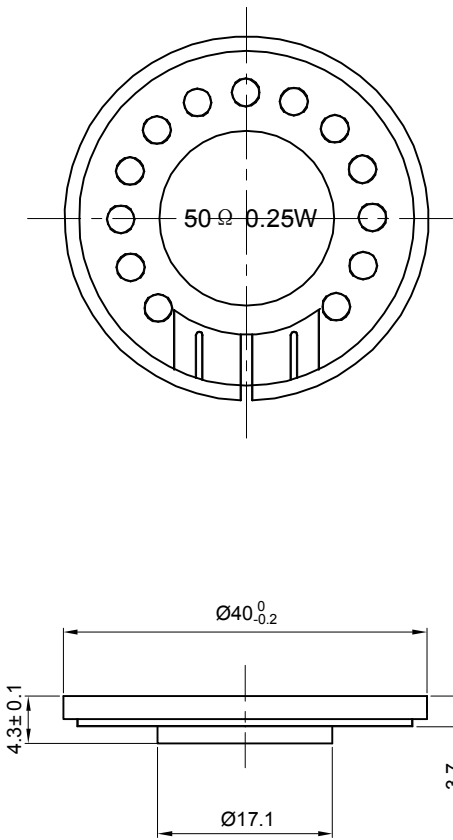


# Speaker Specification

Customer's Model No.			Customer	QUARTZ-1	
Kepo Model No.		KPSP4043PN-08/0.5A	Size	Φ 40mm	No. KF3.002.352(J19565)
No.	Item	Specification	Test Condition		
1	Impedance	50Ω ± 15%	at 1000Hz		
2	Resonant Fr. (f <sub>o</sub> )	500Hz± 20%			
3	Frequency Range	F0-5.0KHz			
4	Rated Power	0.5W			
5	Max Power	0.6W			
6	S.P.L.	87± 3dB	0.1W /0.1M at 1.0kHz		
7	Distortion	Max 5%	at rated power 1.0kHz		
8	Sweep Test	must be normal	at sine wave 5.0 V		
9	Load Test	after test meet item 8	rated noise power, 24 Hrs.		
10	Heat Test	after test meet item 8	50± 2℃ 5Hrs.		
11	Cold Test	after test meet item 8	-20± 2℃ 5Hrs.		
12	Humidity Test	after test meet item 8	40± 2℃,90/95%R.H. 5Hrs.		
13	Weight				
14	Polarity Test	When supplied plus D.C. voltage to (+) terminal, the cone must move to forward.			
15	Note				

Dimensions:



FIRST ANGLE PROJECTION

UNIT : mm  
Tolerance :  $\pm 0.2$