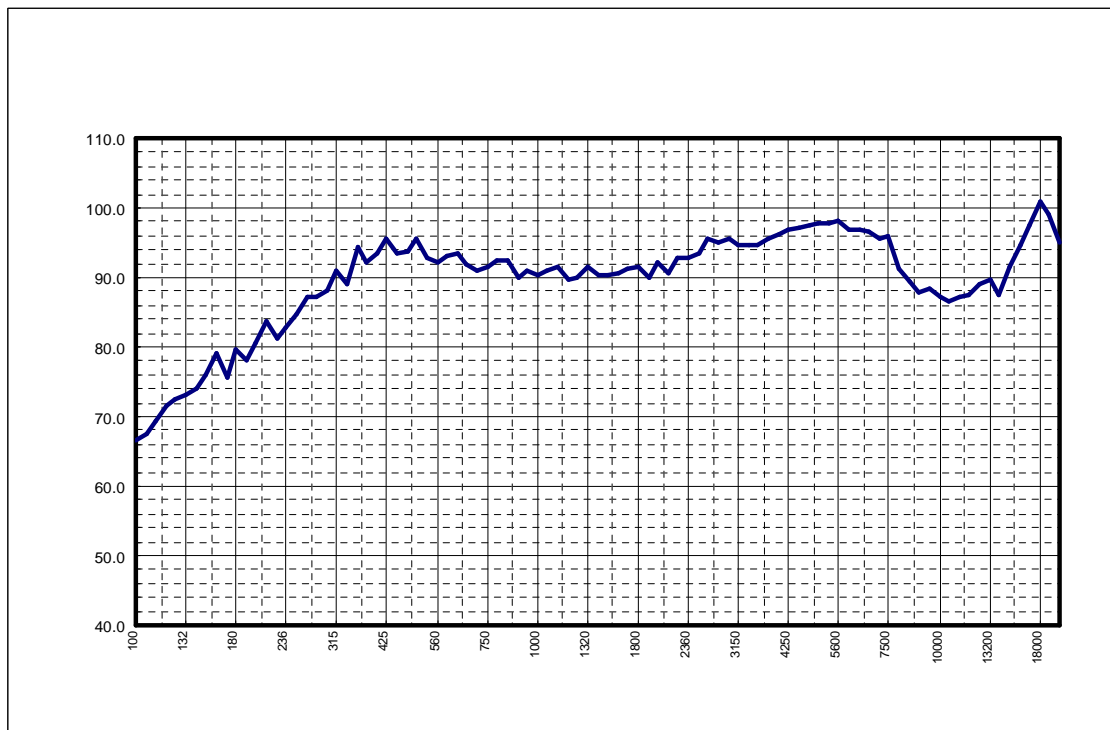
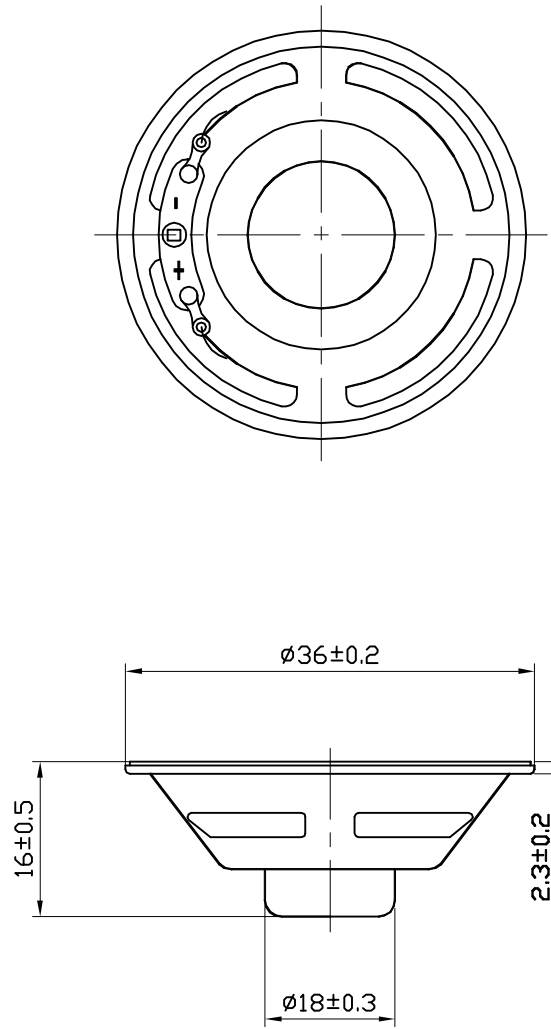


# Speaker Specification

Customer's Model No.			Customer	SAZEH		
Kepo Model No.		KPSP36150MN-08/0.5G	Size	Φ 36mm	No.	J21941
No.	Item	Specification	Test Condition			
1	Impedance	8Ω ± 15%	at 1000Hz			
2	Resonant Fr. (f <sub>o</sub> )	420Hz± 20%				
3	Frequency Range	F0-20.0KHz				
4	Rated Power	0.5W				
5	Max Power	1.0W				
6	S.P.L.	90± 3dB	0.1W/ 0.1M at 1.0KHz			
7	Distortion	Max 5%	at rated power 1.0kHz			
8	Sweep Test	must be normal	at sine wave 2.0 V			
9	Load Test	after test meet item 8	rated noise power, 24 Hrs.			
10	Heat Test	after test meet item 8	50± 2℃ 5Hrs.			
11	Cold Test	after test meet item 8	-20± 2℃ 5Hrs.			
12	Humidity Test	after test meet item 8	40± 2℃, 90/95%R.H. 5Hrs.			
13	Weight					
14	Polarity Test	When supplied plus D.C. voltage to (+) terminal, the cone must move to forward.				
15	Note					



Dimensions:



FIRST ANGLE PROJECTION

UNIT : mm  
Tolerance :  $\pm 0.2$