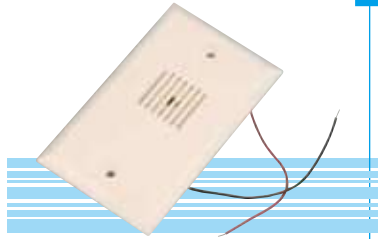


# Piezo Siren/Electronic Siren

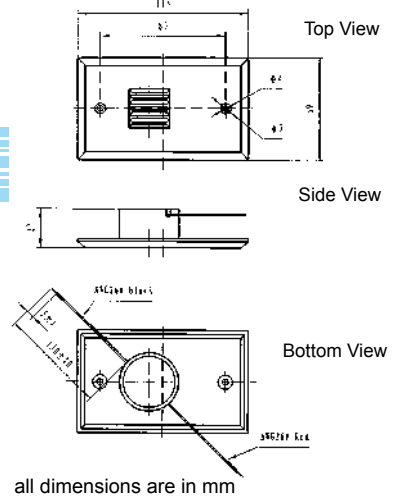
## KP-39 SERIES PIEZO SIREN

|                       |                        |
|-----------------------|------------------------|
| <b>Model No</b>       | <b>KP-39</b>           |
| Rated Voltage         | 12 VDC                 |
| Operating Voltage     | 6~14VDC                |
| Max. Rated Current    | 65mA at 12VDC          |
| Min. S.P. L           | 100±3dB at 12VDC/100cm |
| Resonant Frequency    | 2.8±0.5KHz             |
| Tone Nature           | High-low Sound         |
| Operating Temperature | -20~+60 °C             |
| Store Temperature     | -30~+70 °C             |
| Weight                | 45 g                   |
| Remark                | Flush Mounted          |



Color White  
ABS Housing Material

### DIMENSIONS



\* Value applying at rated voltage

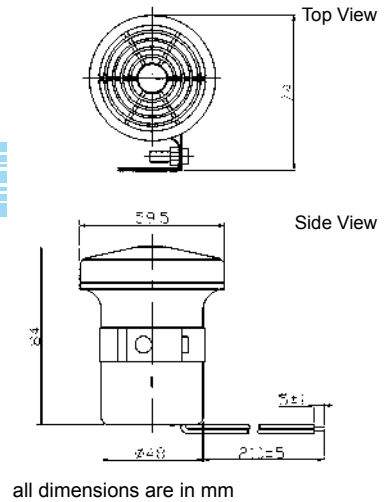
## KPS-6028 SERIES MECHANICAL SIREN

| Model No              | KPS-6028               | KPS-6028-24          |
|-----------------------|------------------------|----------------------|
| Rated Voltage         | 12 VDC                 | 24VDC                |
| Operating Voltage     | 6~15 VDC               | 16~28 VDC            |
| Max. Rated Current    | 75mA at 12VDC          | 60mA at 24VDC        |
| Min. S.P. L           | 100±3dB at 12VDC/100cm | 100dB at 24VDC/100cm |
| Resonant Frequency    | 2.0±0.5HZ              | 2.0±0.5HZ            |
| Tone Nature           | Pulse                  | Pulse                |
| Operating Temperature | -20 ~ +85 °C           | -20 ~ +85 °C         |
| Store Temperature     | -20 ~ +85 °C           | -30 ~ +70 °C         |
| Weight                | 121±5 g                | 121±5 g              |



Color Red / Black  
ABS Housing Material

### DIMENSIONS



\* Value applying at rated voltage

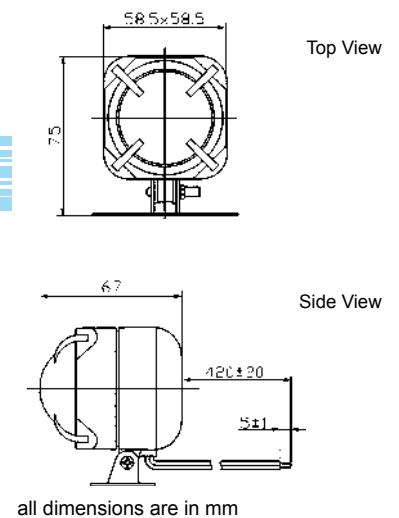
## KPS-59T SERIES ELECTRONIC SIREN

|                        |  |
|------------------------|--|
| <b>Model No</b>        | <b>KPS-59T</b>                         |
| Voice Coil Impedance   | 4/8/120hm (at 1 KHz)                   |
| Voice Coil Dimen(Dia.) | Ø25.4 mm                               |
| Rated Voltage          | 12 VDC/24VDC                           |
| Operating Voltage      | 6~14VDC/16~25VDC                       |
| Output Power           | 10W/15W/20W                            |
| Min. S.P. L            | 105/108/110dB (at Rated Voltage at 1m) |
| Max. Current Draw      | 350/550/750mA                          |
| Tone Nature            | Warble/1-Tone/6 -Tone                  |
| Operating Temperature  | -20~+60 °C                             |
| Weight                 | 160±10g                                |



color Black/white  
ABS Housing Material  
Lead Terminal

### DIMENSIONS



\* Value applying at rated voltage

The information contained herein is believed to be correct, but no guarantee for accuracy, completeness KEPO Electronics Ltd. reserves the right to make changes without notification.

**KPS-91G SERIES ELECTRONIC SIREN**

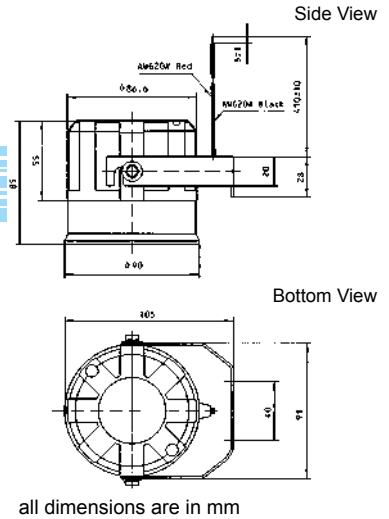
|                        |                                       |
|------------------------|---------------------------------------|
| <b>Model No</b>        | <b>KPS-91G</b>                        |
| Voice Coil Impedance   | 4/8/12 Ohm (at 1 KHz)                 |
| Voice Coil Dimen(Dia.) | Ø25.4 mm                              |
| Rated Voltage          | 12 VDC/24VDC                          |
| Operating Voltage      | 6~14VDC/16-25VDC                      |
| Output Power           | 15W/20W/25W                           |
| Min. S.P. L            | 105/108/110dB (at Rated Voltage at1m) |
| Max. Rated Current     | 550/750/1300mA                        |
| Tone Nature            | Warble/1-Tone / 6-Tone                |
| Operating Temperature  | -20~+60 °C                            |
| Weight                 | 410±10g                               |

\* Value applying at rated voltage



color Black/white  
ABS Housing Material  
Lead Terminal

**DIMENSIONS**



all dimensions are in mm

**KPS-100T SERIES ELECTRONIC SIREN**

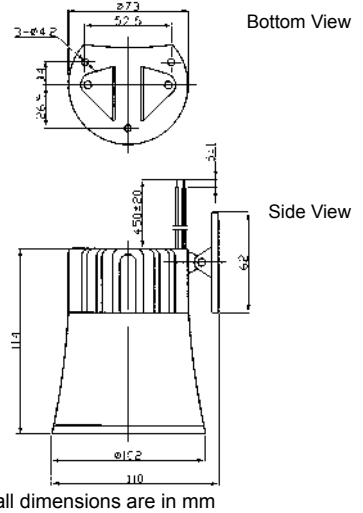
|                        |   |
|------------------------|---|
| <b>Model No</b>        | <b>KPS-100T</b>                           |
| Voice Coil Impedance   | 4/8/12 Ohm (at 1 KHz)                     |
| Voice Coil Dimen(Dia.) | Ø25.4 mm                                  |
| Rated Voltage          | 12 VDC/24VDC                              |
| Operating Voltage      | 6~14VDC/16-25VDC                          |
| Output Power           | 10W/15W/20W/25W                           |
| Min. S.P. L            | 108/110/114/114dB (at Rated Voltage at1m) |
| Max. Rated Current     | 550/750/1300/1500mA                       |
| Tone Nature            | Warble/1-Tone / 6-Tone                    |
| Operating Temperature  | -20~+60 °C                                |
| Weight                 | 390±10g                                   |

\* Value applying at rated voltage



color Black/white  
ABS Housing Material  
Lead Terminal

**DIMENSIONS**



all dimensions are in mm

**KPS-111S SERIES ELECTRONIC SIREN**

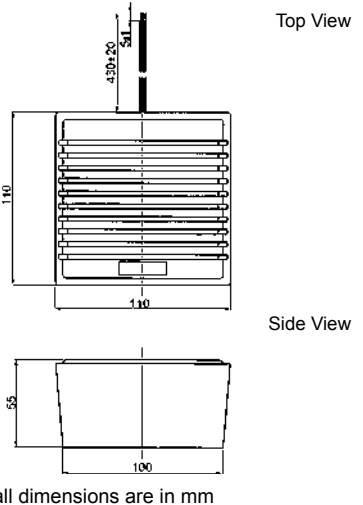
|                        |                                   |
|------------------------|-----------------------------------|
| <b>Model No</b>        | <b>KPS-111S</b>                   |
| Voice Coil Impedance   | 4/8/12 Ohm (at 1 KHz)             |
| Voice Coil Dimen(Dia.) | Ø19.45 mm                         |
| Rated Voltage          | 12 VDC/24VDC                      |
| Operating Voltage      | 6~14VDC/16~25VDC                  |
| Output Power           | 10W/15W/20W                       |
| Min. S.P. L            | 100/102dB (at Rated Voltage at1m) |
| Max. Rated Current     | 550mA                             |
| Tone Nature            | Warble/1-Tone/6-Tone              |
| Operating Temperature  | -20~+60 °C                        |
| Weight                 | 400±10g                           |

\* Value applying at rated voltage



color white  
ABS Housing Material  
Lead Terminal

**DIMENSIONS**



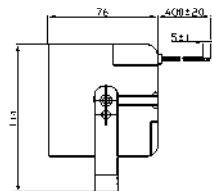
all dimensions are in mm

The information contained herein is believed to be correct, but no guarantee for accuracy, completeness KEPO Electronics Ltd. reserves the right to make changes without notification.

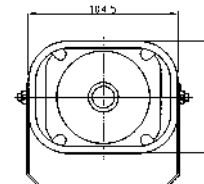
**KPS-104G SERIES ELECTRONIC SIREN**



**DIMENSIONS**



Side View



Top View

all dimensions are in mm

**Model No KPS-104G**

|                        |   |
|------------------------|---|
| Voice Coil Impedance   | 4/8/12 Ohm (at 1 KHz)                     |
| Voice Coil Dimen(Dia.) | Ø25.4 mm                                  |
| Rated Voltage          | 12 VDC/24VDC                              |
| Operating Voltage      | 6~14VDC/16-25VDC                          |
| Output Power           | 10W/15W/20W/25W                           |
| Min. S.P. L            | 105/108/110/110dB (at Rated Voltage at1m) |
| Max. Rated Current     | 550/750/1300/1500mA                       |
| Tone Nature            | Warble/1-Tone / 6-Tone                    |
| Operating Temperature  | -20~+60 °C                                |
| Weight                 | 465±10g                                   |

color Black/white

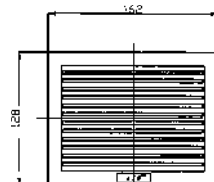
ABS Housing Material

Lead Terminal

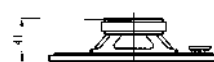
\* Value applying at rated voltage

**KPS-128 SERIES ELECTRONIC SPEAKER**

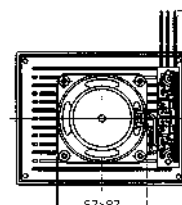
**DIMENSIONS**



Top View



Side View



Bottom View

all dimensions are in mm

**Model No KPS-128**

|                        |                       |
|------------------------|-----------------------|
| Voice Coil Impedance   | 4/8/12 Ohm (at 1 KHz) |
| Voice Coil Dimen(Dia.) | Ø19.45 mm             |
| Rated Voltage          | 12 VDC                |
| Operating Voltage      | 6~14VDC               |
| Output Power           | 15W                   |
| Min. S.P. L            | 99±2dB at 12VDC/1m    |
| Max. Rated Current     | 400mA                 |
| Tone Nature            | Warble& Steady        |
| Operating Temperature  | -20~+85 °C            |
| Weight                 | 363±10g               |

color Black/white

ABS Housing Material

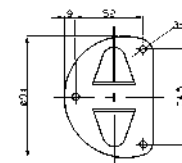
Lead Terminal

\* Value applying at rated voltage

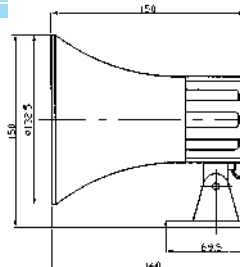
**KPS-200T SERIES ELECTRONIC SIREN**



**DIMENSIONS**



Bottom View



Side View

all dimensions are in mm

**Model No KPS-200T**

|                        |   |
|------------------------|---|
| Voice Coil Impedance   | 4/8/12 Ohm (at 1 KHz)                     |
| Voice Coil Dimen(Dia.) | Ø25.4 mm                                  |
| Rated Voltage          | 12 VDC/24VDC                              |
| Operating Voltage      | 6~14VDC/16-25VDC                          |
| Output Power           | 10W/15W/20W/25W                           |
| Min. S.P. L            | 105/112/116/116dB (at Rated Voltage at1m) |
| Max. Rated Current     | 550/750/1300/1500mA                       |
| Tone Nature            | Warble/1-Tone / 6-Tone                    |
| Operating Temperature  | -20~+85 °C                                |
| Weight                 | 475±10g                                   |

color Black/white

ABS Housing Material

Lead Terminal

\* Value applying at rated voltage

The information contained herein is believed to be correct, but no guarantee for accuracy, completeness KEPO Electronics Ltd. reserves the right to make changes without notification.

## KPH-128 SERIES HORN SPEAKER

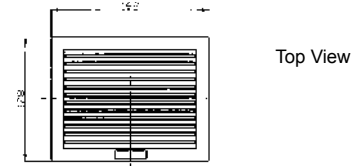
|                 |                                |
|-----------------|--------------------------------|
| <b>Model No</b> | <b>KPH-128</b>                 |
| Impedance       | 4/8/12 Ohm (at 1 KHz)          |
| Voice Coil Dia. | Ø20mm                          |
| Magnet Size     | 60 x 32 x 8mm                  |
| Resonant Freq.  | Fo. 1.5KHz±10%                 |
| Power Rating    | 10W RMS                        |
| Freq.Resp.      | 600~6000Hz                     |
| Min. S.P.L.     | 95±3dB(at 1m/2.83V/500~6000Hz) |
| Operating Temp. | -20~+60 °C                     |
| Weight          | 344g±10g                       |

\* Value applying at rated voltage



Color White  
ABS Housing Material  
Lead Terminal

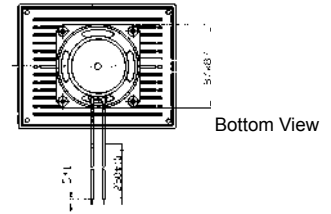
### DIMENSIONS



Top View



Side View



Bottom View

all dimensions are in mm

## KPH-135C SERIES HORN SPEAKER

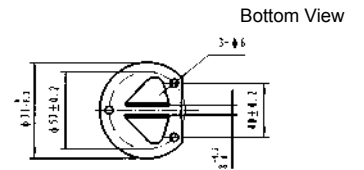
|                 |                           |
|-----------------|---------------------------|
| <b>Model No</b> | <b>KPH-135C</b>           |
| Impedance       | 4/8/12 Ohm (at 1 KHz)     |
| Voice Coil Dia. | Ø25.4mm                   |
| Magnet Size     | 60 x 32 x 10mm            |
| Resonant Freq.  | Fo. 1.5KHz±10%            |
| Power Rating    | 10W RMS                   |
| Freq.Resp.      | 350~7000Hz                |
| Min. S.P.L.     | 103±3dB(at 1m/2.83V/1KHz) |
| Operating Temp. | -20~+60 °C                |
| Weight          | 360g±10g                  |

\* Value applying at rated voltage

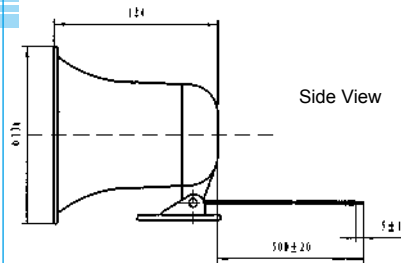


Color white  
ABS Housing Material  
Lead Terminal

### DIMENSIONS



Bottom View



Side View

all dimensions are in mm

## KPH-51GK SERIES HORN SPEAKER

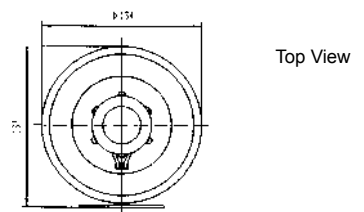
|                 |                       |
|-----------------|-----------------------|
| <b>Model No</b> | <b>KPH-51GK</b>       |
| Impedance       | 4/8/12 Ohm (at 1 KHz) |
| Voice Coil Dia. | Ø25.4MM               |
| Magnet Size     | 60 x 32 x 10MM        |
| Resonant Freq.  | Fo. 1.5KHz±10%        |
| Power Rating    | 10W RMS               |
| Freq.Resp.      | 400~7000Hz            |
| Min. S.P.L.     | 104dB(at 1m/1W/1KHz)  |
| Operating Temp. | -20~+60 °C            |
| Weight          | 445±10g               |

\* Value applying at rated voltage

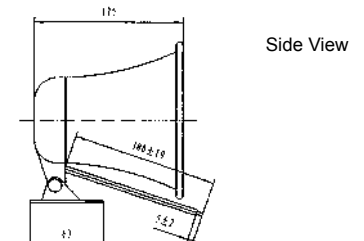


Color Golden  
ABS Housing Material  
Lead Terminal

### DIMENSIONS



Top View



Side View

all dimensions are in mm

The information contained herein is believed to be correct, but no guarantee for accuracy, completeness KEPO Electronics Ltd. reserves the right to make changes without notification.