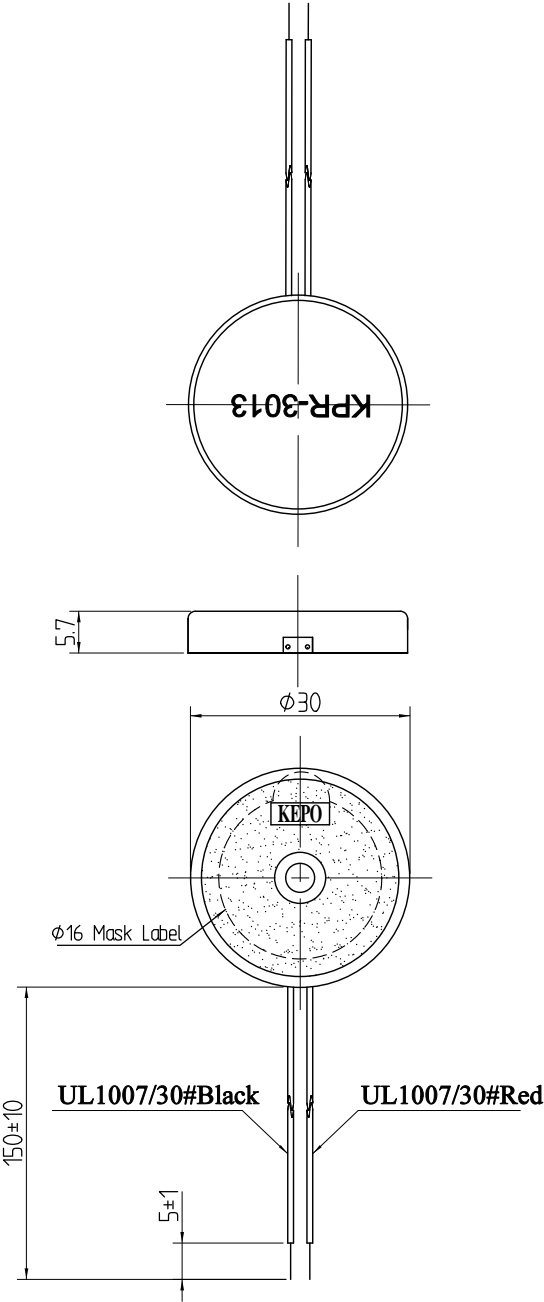


受 控

## SPECIFICATION

- 1. Rated Voltage .....12Vp-p Square Wave
- 2. Max. Allwable Voltage .....30Vp-p Square Wave
- 3. Max. Rated Current .....4mA at 1.3KHz/12Vp-p Square Wave
- 4. Min. Sound Pressure Level.....75dB at 1.3KHz/12Vp-p Square Wave/30cm
- 5. Capacitance at 120Hz .....50000pF±30%
- 6. Resonant Frequency .....1.3±0.5KHz
- 7. Shell Material/Color.....ABS/Black
- 8. Operating Temperature .....-20~+60°C
- 9. Store Temperature .....-30~+70°C
- 10. Weight .....4g



				<b>KEPO</b> NINGBO KEPO ELECTRONIC CO.,LTD <a href="http://www.chinaacoustic.com">http://www.chinaacoustic.com</a>	
No.	DESCRIPTION	APPROVED	DATE	Piezo transducer QUARTZ-1 LTD KPR-3013	
TOLERANCES UNLESS NOTED OTHERWISE X * XX * XXX *		APPROVALS			
90° FORMED +2° ANGLES -1°		DRAWN		UNIT	DWG NO.
FIRST ANGLE PROJECTION		CHECKED		mm	OEM1064
		APPROVED		SCALE	SHEET
			15.11.03	NOT TO SCALE	VER 1.2