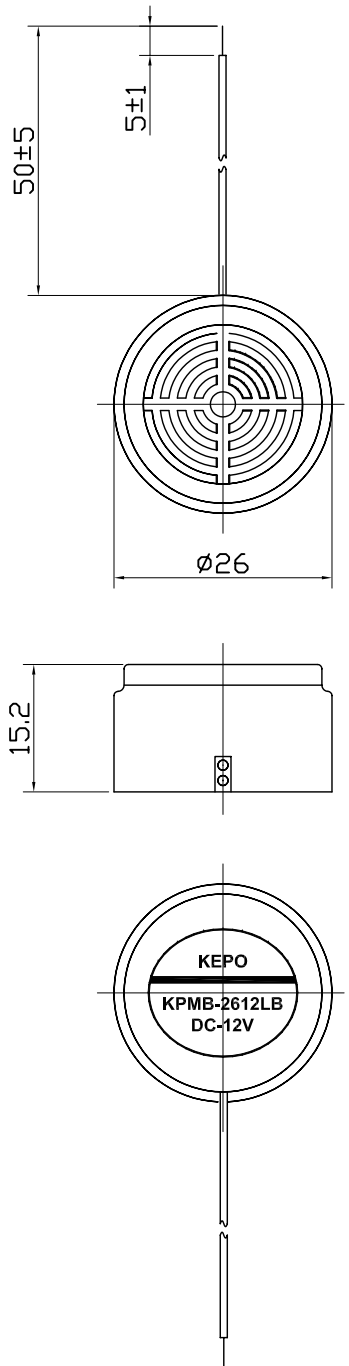


受 控

## SPECIFICATION

- 1. Rated Voltage .....12VDC
- 2. Operating Voltage .....9~15VDC
- 3. Max. Rated Current .....30mA at 12VDC
- 4. Resonant Frequency .....400±100Hz
- 5. Min. Sound Pressure Level.....85dB at 12VDC/20cm
- 6. Response Time.....≤50ms
- 7. Shell Material/Color .....ABS/Black
- 8. Operating Temperature .....-20~+60°C
- 9. Store Temperature .....-30~+70°C
- 10. Weight .....12g



				<b>KEPO</b> NINGBO KEPO ELECTRONIC CO.,LTD <a href="http://www.chinaacoustic.com">http://www.chinaacoustic.com</a>	
				Magnetic Buzzer 宁波天星 KPMB-2612LB-2179	
No.	DESCRIPTION	MENDER	DATE	APPROVALS	DATE
		楼海江	09.08.18		
TOLERANCES UNLESS NOTED OTHERWISE X ± .XX ± .XXX ± 90° FORMED ±1° ANGLES -1°				UNIT	DWG NO.
FIRST ANGLE PROJECTION				mm	OEM2179
				SCALE	SHEET
					VER 1.2