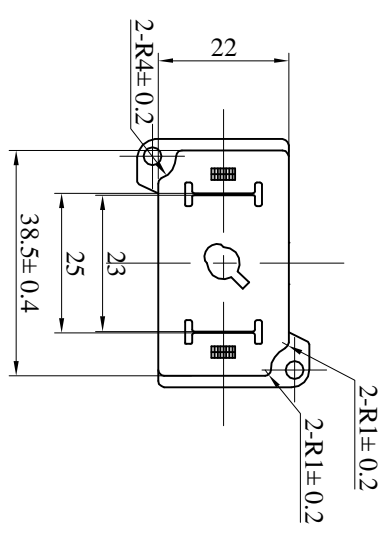
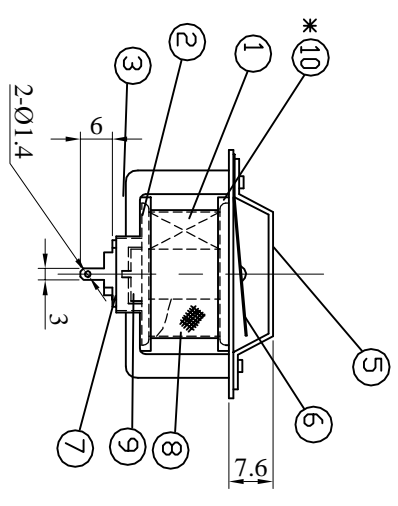
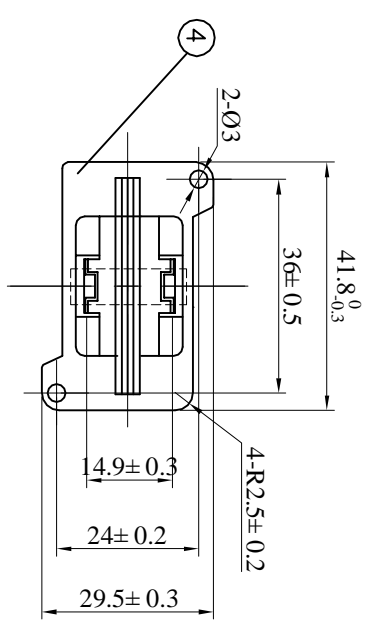


SPECIFICATION

- 1. Rated Voltage230VAC/50Hz
额定电压/频率
- 2. Power consumption4±0.5W
额定功率
- 3. Min. Sound Pressure Level.....85~95dB/230VAC/25cm
额定声压
- 4. Coil Resistance10±1K
直流阻抗
- 5. Life test≥50hr/常温下工作
寿命
- 6. Temperature rise≤65°C/连续工作5分钟
温升≤110°C/连续工作15分钟
- 7. Voltage resistance1200VAC/1分钟测试产品正常
耐高压测试
- 8. Insulation resistance≥100M/500VDC
绝缘电阻
- 9. Weight37g
重量



ITEM	PART NAME	MATERIAL	SPEC.	REM
1	COIL	—/—	48SWG	
2	BOBBIN	PBT		Non flammable
3	E-CORE	CRCA	1 t	
4	FIX PLATE	CRCA	1 t	
5	BRACKET	CRCA	0.6 t	
6	V-PLATE	STS 430	0.2 t	
7	TERMINAL	Bsp1-1/2H	T 0.5	
8	TAPE	VINYL		Self extinguishing
9	ANABOND	# 666		
4	FIX PLATE	STAINLESS STEEL	1 t	
10	PROTECTION CASE	ABS		Kepto improvement

No.		DESCRIPTION		APPROVED	DATE	KEPO NINGBO KEPO ELECTRONIC CO.,LTD http://www.chinaacoustic.com Mechanical Buzzer KPMB-4230	
DRAWN		CHECKED		APPROVALS		DATE	DWGNO
DATE		DATE		DATE		DATE	SCALE
05.07.16		05.07.16		05.07.16		05.07.16	mm
UNIT		SCALE		SHEET		VER	
mm		1:1		1		1.2	
KP3.841.615		KP3.841.615		KP3.841.615		KP3.841.615	