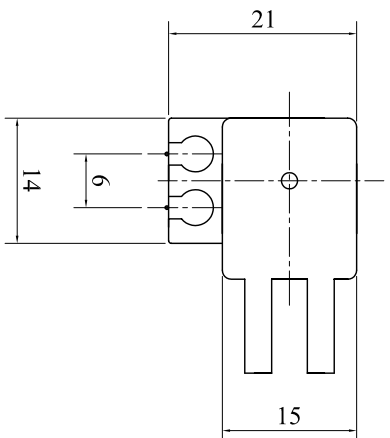
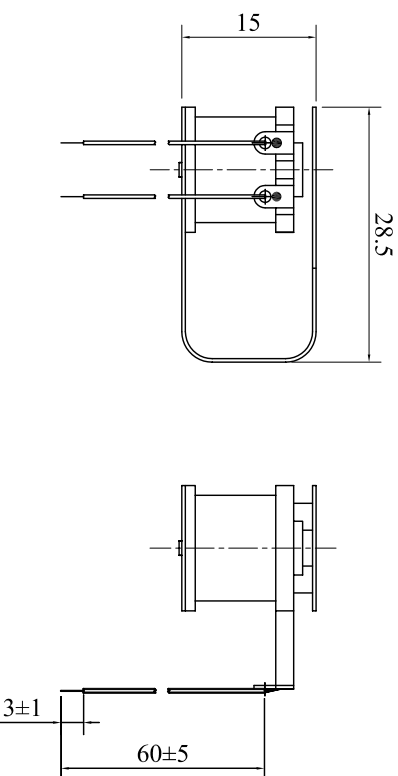


SPECIFICATION

- 1. Rated Voltage 10VAC/50~60Hz
- 2. Operating Voltage 8~12VAC/50~60Hz
- 3. Max. Rated Current 250mA at 10VAC
- 4. Coil Resistance 54.5 Ω \pm 10%
- 5. Min. Sound Pressure Level..... 75dB at 10VAC/20cm
- 6. Case Material ABS
- 7. Operating Temperature -20~+60°C
- 8. Store Temperature -30~+70°C
- 9. Weight 9g



| | | | | | | | |
|--|---|-----------|----------|-------|-----------------|-----------------|---------|
| | | | | | | | |
| KEPO | NINGBO KEEP IMPROVING ELECTRONIC CO.,LTD http://www.chinaacoustic.com | | | | | | |
| Magnetic Buzzer KPMB-28010L | | | | | | | |
| No. | DESCRIPTION | APPROVED | DATE | UNIT | DWG NO. | K/P3.840.608.01 | SHR/ |
| TOLERANCES UNLESS NOTED OTHERWISE: mm ± xxx ± xxx ± | DRAWN | APPROVALS | DATE | mm | K/P3.840.608.01 | SHR/ | VER 1.0 |
| FIRST ANGLE PROJECTION | CHECKED | APPROVED | 03.01.15 | SCALE | SHR/ | VER 1.0 | VER 1.0 |