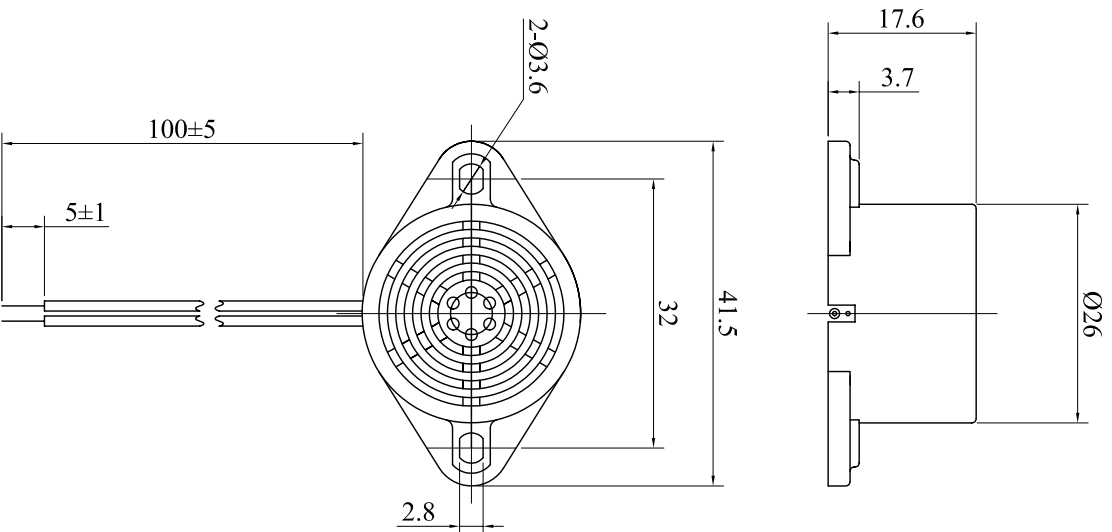


SPECIFICATION

- 1. Rated Voltage48VDC
- 2. Operating Voltage30~54VDC
- 3. Max. Rated Current30mA at 48VDC
- 4. Resonant Frequency400±100Hz
- 5. Min. Sound Pressure Level.....85dB at 48VDC/20cm
- 6. Response Time.....≤50ms
- 7. Case MaterialABS
- 8. Operating Temperature-20 ~ +60 °C
- 9. Store Temperature-30 ~ +70 °C
- 10. Weight12g



No.	DESCRIPTION	APPROVED	DATE	KEPO NINGBO KEEP IMPROVING ELECTRONIC CO.,LTD http://www.chinaacoustic.com Magnetic Buzzer KPMB-2648L		
TOLERANCES UNLESS NOTED OTHERWISE	APPROVALS	DATE				
XX .X	DRAWN					
XXX .X	CHECKED					
90° ANGLES ±1°	APPROVED			UNIT	DWG NO.	KP3.840.640
FIRST ANGLE PROJECTION			03.01.15	SCALE		SHEET
						VER. 1.0