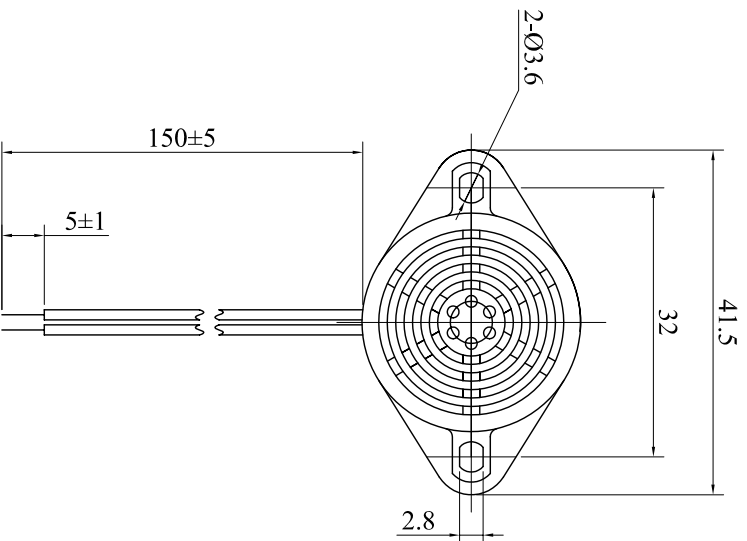
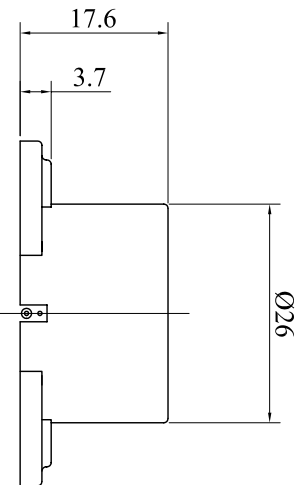


# SPECIFICATION

- 1. Rated Voltage ..... 12VDC
- 2. Operating Voltage ..... 9~15VDC
- 3. Max. Rated Current ..... 30mA at 12VDC
- 4. Resonant Frequency ..... 400±100Hz
- 5. Min. Sound Pressure Level..... 85dB at 12VDC/20cm
- 6. Response Time..... ≤50ms
- 7. Case Material ..... ABS
- 8. Operating Temperature ..... -20~+60°C
- 9. Store Temperature ..... -30~+70°C
- 10. Weight ..... 12g



No.	DESCRIPTION	APPROVED	DATE	<b>KEPO</b> NINGBO KEEP IMPROVING ELECTRONIC CO.,LTD <a href="http://www.chinaacoustic.com">http://www.chinaacoustic.com</a> <b>Magnetic Buzzer</b> <b>KPMB-2612L</b>		
TOLERANCES, UNLESS NOTED OTHERWISE		APPROVALS	DATE			
mm		DRAWN				
xxx		CHECKED				
FIRST ANGLE PROJECTION				UNIT	DWG NO.	KP3.840.623
				SCALE	SHR	VER 1.0
		APPROVED	03.01.15			