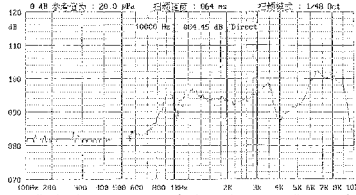


KPMB-3008E series Micro Speaker

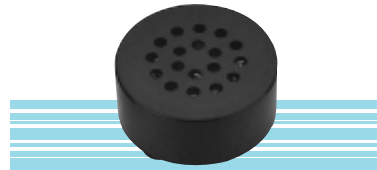
FREQUENCYRESPONSE
[actual curve of type]



applied voltage: 12 vp-p, 1/2 duty, sine wave distance for measurement: 10cm

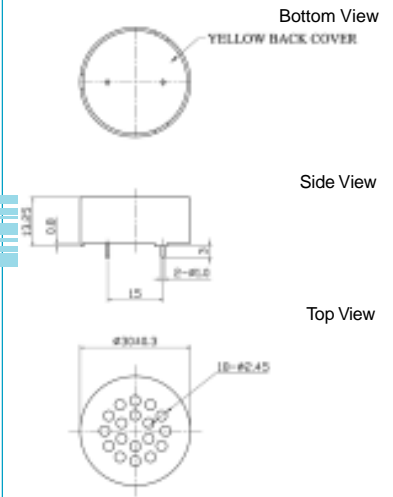
Model No	KPMB-3008E
Rated Nornse Power	0.15W
Max.Input Power	0.3W
Rated Frequency Range	500j~5000Hz
Rated Frequency	1100j±15%Hz
Rated Impedance	8 j
Min.Sound Pressure Level	85dB at 1KHz 1.1Vrms Sine Wave/10cm
Housing Material/Color	PA66/Black
Operating Temperature	-20j~+60j
Store Temperature	-30j~+70j
Weight	10g

* Value applying at rated voltage



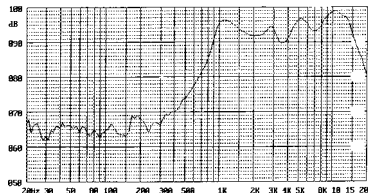
color Black
PA66 Housing Material
Pin Terminal

DIMENSIONS



KPMB-3008 series Micro Speaker

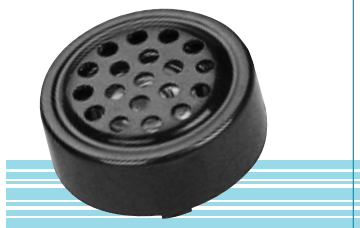
FREQUENCYRESPONSE
[actual curve of type]



applied voltage: 12 vp-p, 1/2 duty, sine wave distance for measurement: 10cm

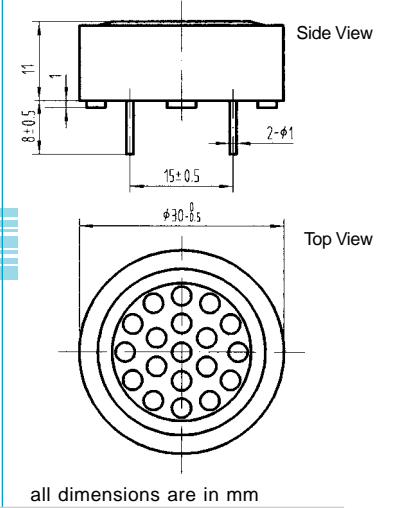
Model No	KPMB-3008
Rated Nornse Power	0.15W
Rated Long Max Power	0.3W
Rated Frequency Range	700~50000Hz
Rated Impedance	8 j
Min Sound Pressure Level	75dB at 1.2KHz 1.1 Vrms Sine Wave/10cm
Resonant Frequency	1200j±200Hz
Operating Temperature	-20~+60jæ
Weight	12g

* Value applying at rated voltage



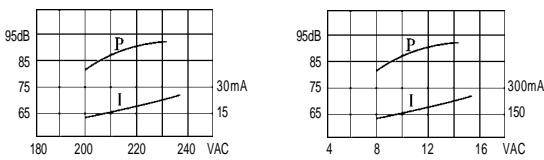
color Black
ABS Housing Material
Pin Terminal

DIMENSIONS



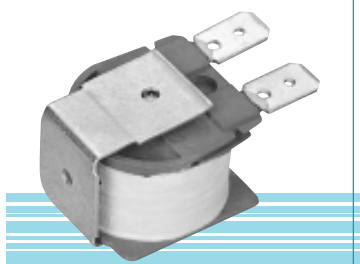
all dimensions are in mm

KPMB-23000series Magnetic Buzzer



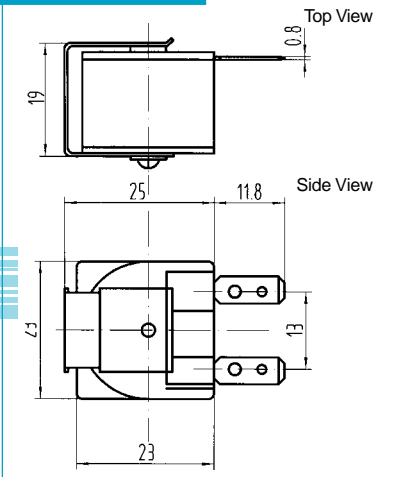
Model No	KPMB-23220	KPMB-23012
Rated Voltage	220 VAC	12 VAC
Operating Voltage	180~260 VAC	10.5~13.5VAC
Max. Rated Current	30mA/220VAC	250mA/12VAC
Min. Sound Pressure Level	80dB/220VAC/20cm	80dB/12VAC/20cm
Common Terminal Bear Pulling Force	jÜ9Kg	jÜ9Kg
Operating Temperature	-25~+75jæ	-25~+75jæ
Weight	20 g	20 g

* Value applying at rated voltage



color Black
PPO Framework Material
Pin Terminal

DIMENSIONS



all dimensions are in mm

The information contained herein is believed to be correct, but no guarantee for accuracy, completeness, DSW Electronics Ltd. reserves the right to make changes without notification.