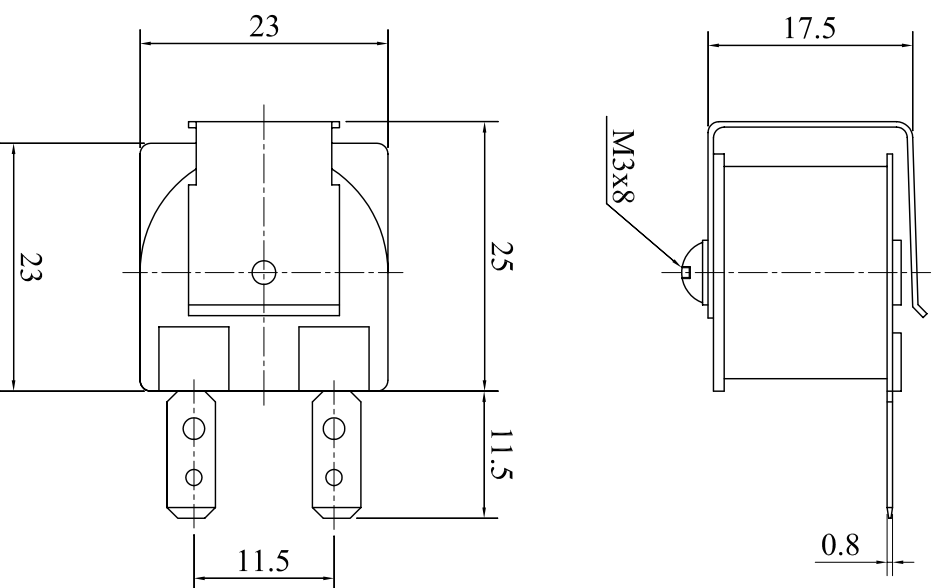


SPECIFICATION

- 1. Rated Voltage24VAC/50~60Hz
- 2. Operating Voltage 20~28VAC
- 3. Max. Rated Current 180mA
- 4. Coil Resistance 100 Ω ±10%
- 5. Min. Sound Pressure Level..... 75dB/24VAC/20cm
- 6. Case Material PPO
- 7. Operating Temperature -25~+75℃
- 8. Store Temperature -30~+80℃
- 9. Weight 26g
- 10. Bear Pressure..... 9Kg



No.	DESCRIPTION	APPROVED	DATE	<div style="text-align: center;"> <p>KEPO NINGBO KEPP IMPROVING ELECTRONIC CO.,LTD http://www.chinaacoustic.com</p> </div>		
Magnetic Buzzer		APPROVALS	DATE			
KPMB-23024		CHECKED				
		APPROVED	03.01.15			
UNIT	DWG NO.	K P3.840.645		SCALE	SHEET	VER.
mm						1.0