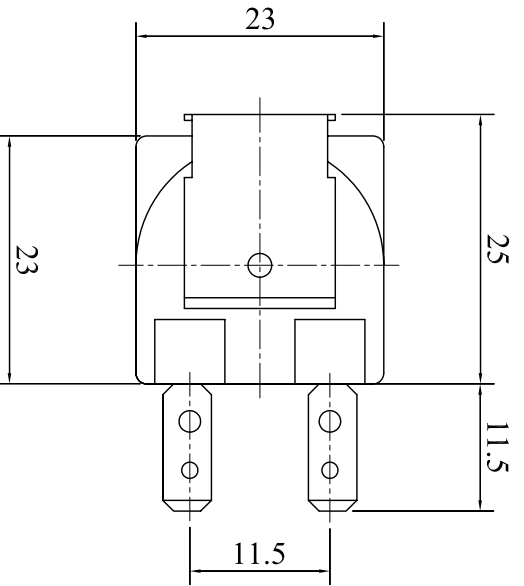
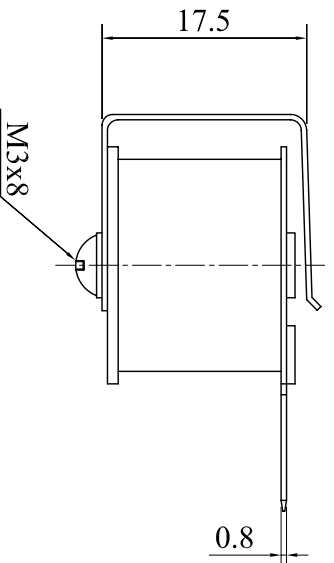


# SPECIFICATION

- 1. Rated Voltage ..... 12VAC/50~60Hz
- 2. Operating Voltage ..... 10.5~13.5VAC
- 3. Max. Rated Current ..... 250mA
- 4. Coil Resistance .....  $32.5\Omega \pm 10\%$
- 5. Min. Sound Pressure Level..... 75dB/12VAC/20cm
- 6. Case Material ..... PPO
- 7. Operating Temperature ..... -25~+75°C
- 8. Store Temperature ..... -30~+80°C
- 9. Weight ..... 30g
- 10. Bear Pressure..... 9Kg



No.	DESCRIPTION	APPROVED	DATE	<b>KEPO</b> NINGBO KEEP IMPROVING ELECTRONIC CO.,LTD <a href="http://www.chinaacoustic.com">http://www.chinaacoustic.com</a>
Magnetic Buzzer				
KPMB-23012				
<small>FOR ENGLISH INQUIRY          NOTED OTHERWISE          XXX #          XXX #          90° ANGLES ±°          FIRST ANGLE PROJECTION</small>		CHECKED	DATE	UNIT
		APPROVED	03.01.15	mm
				DWG NO. K P3.840.605.03
				SHRER
				VER 1.0