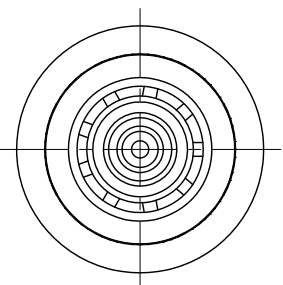
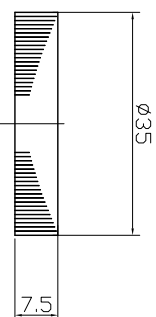
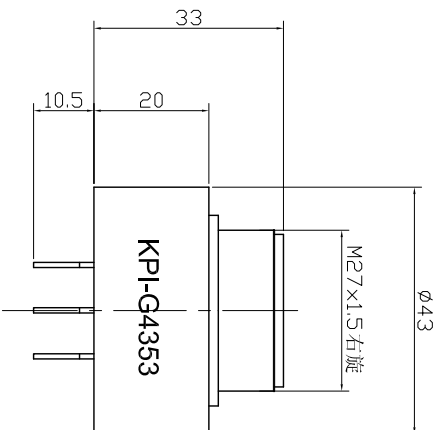
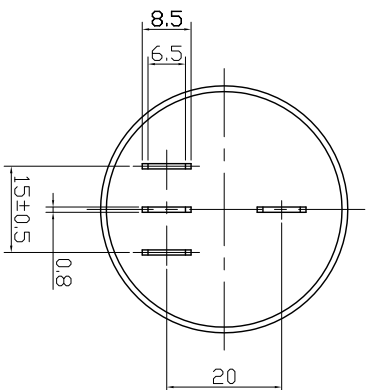


受 控

SPECIFICATION

- 1. Rated Voltage 12VDC
- 2. Operating Voltage 6~28VDC
- 3. Max. Rated Current 20mA at 12VDC
- 4. Min. Sound Pressure Level 80dB at 12VDC/60cm
- 5. Tone Nature Continuous+Fast Pulse+Slow Pulse
- 6. Resonant Frequency 2.9±0.5KHz
- 7. Case Material PBT/Black
- 8. Operating Temperature -20~+80℃
- 9. Store Temperature -30~+100℃
- 10. Weight 36g



Tone	Connection
Slow Pulse	A Connect With Negative
Fast Pulse	A Connect With Negative C Connect With B
Continuous	B Connect With Negative

No.	DESCRIPTION	APPROVED	DATE	Compliance with ROHS KEPO NINGBO KEPO ELECTRONIC CO.,LTD http://www.chinaacoustic.com Piezo Buzzer Quartz-1 KPI-G4353-K7205	
DRAWN		APPROVALS	DATE		
CHECKED		梁树荣	10.10.11		
DRAWN		水成峰			
UNIT: mm SCALE: NOT TO SCALE SHEET: OEM7205R VER: 1.0					

