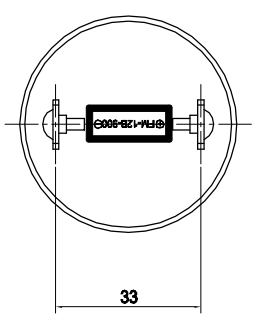
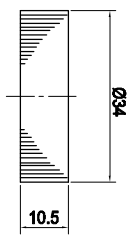
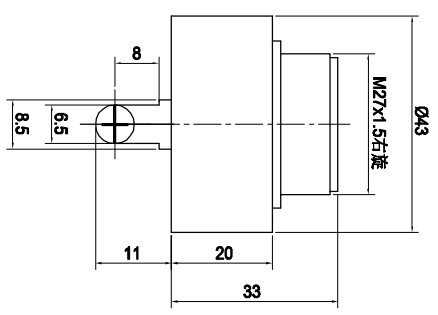
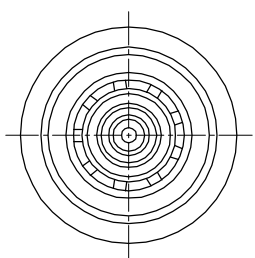


SPECIFICATION

- 1. Rated Voltage48VDC
- 2. Operating Voltage6~60VDC
- 3. Max. Rated Current25mA at 48VDC
- 4. Min. Sound Pressure Level90dB at 48VDC/60cm
- 5. Tone NatureContinuous
- 6. Resonant Frequency2.9±0.5KHz
- 7. Case MaterialPC
- 8. Operating Temperature-20~+80°C
- 9. Store Temperature-30~+100°C
- 10. Weight40g



KEPO NINGBO KEPO ELECTRONIC CO.,LTD http://www.chinaacoustic.com									
Piezo Buzzer KPI-4320-48VDC									
No.	DESCRIPTION	APPROVED	DATE	UNIT	SCALE	DRAWING	DATE	UNIT	SCALE
		APPROVALS	DATE	mm	NOT TO SCALE			mm	1:0
DRAWN		CHECKED	DATE	05.04.20		KPI3_840.025.06		SHEET	
DESIGNED		APPROVED							
PART NAME		DRAWING NUMBER		DATE		SCALE		PAGE	
PIEZO BUZZER		KPI-4320-48VDC		05.04.20		KPI3_840.025.06		1/1	