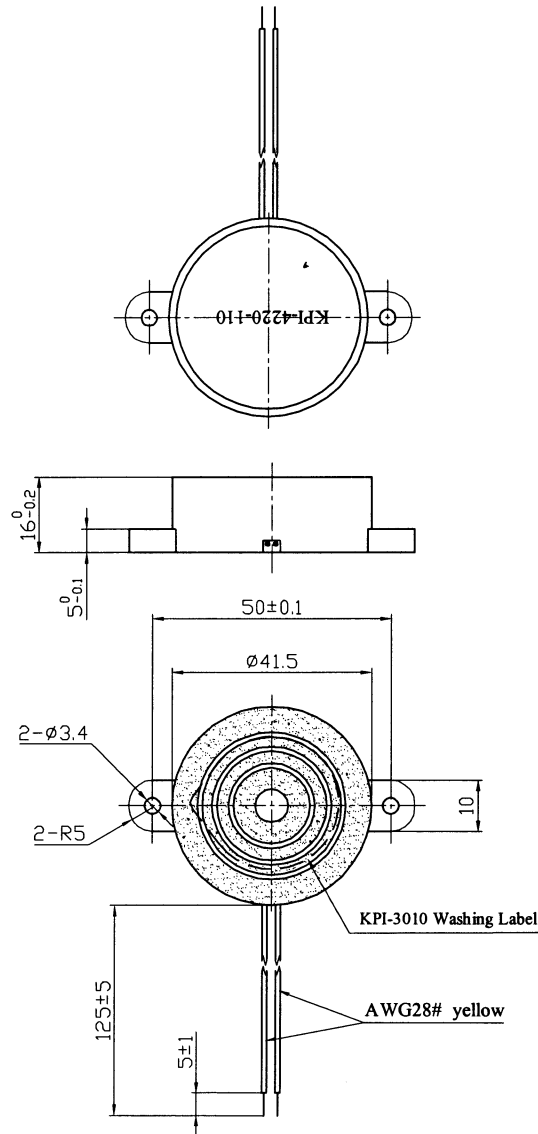


SPECIFICATION

1. Rated Voltage 110 VAC
2. Operating Voltage 80~130 VAC
3. Max. Rated Current 15mA at 110VAC
4. Min. Sound Pressure Level..... 90dB at 110VAC/30cm
5. Resonant Frequency 2.8±0.5KHz
6. Tone Nature..... Continuous
7. Case Material ABS
8. Operating Temperature -20 ~ +60℃
9. Store Temperature -30 ~ +70℃
10. Weight 14g



				KEPO NINGBO KEPO ELECTRONIC CO.,LTD http://www.chinaacoustic.com	
No.	DESCRIPTION	APPROVED	DATE	Piezo Buzzer Quartz-1 KPI-4220-110	
<small>TOLERANCES UNLESS NOTED OTHERWISE</small> X * .XX * .XXX * 90° FORMED ±.1° ANGLES ±.1° FIRST ANGLE PROJECTION		APPROVALS		DATE	
		DRAWN	CHECKED		
		APPROVED	08.05.22	UNIT	DWG NO.
				mm	OEM2936
				SCALE	SHEET
				NOT TO SCALE	VER 1.0