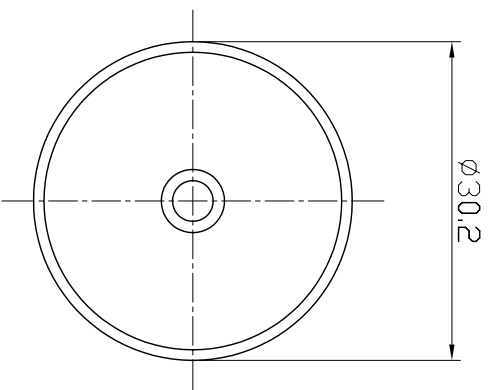
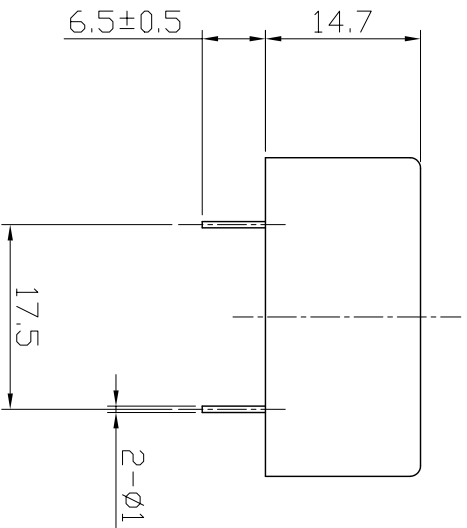


SPECIFICATION

- 1. Rated Voltage 12VDC
- 2. Operating Voltage 3~20VDC
- 3. Max. Rated Current 15mA/12VDC
- 4. Resonant Frequency 2.9±0.5KHz
- 5. Min. Sound Pressure Level..... 90dB/12VDC/30cm
- 6. Tone Nature..... Continuous
- 7. Case Material ABS
- 8. Operating Temperature -20 ~ +70°C
- 9. Store Temperature -30 ~ +85°C
- 10. Weight 7g



No.	DESCRIPTION	APPROVED	DATE	KEPO NINGBO KEEP IMPROVING ELECTRONIC CO.,LTD http://www.chinaacoustic.com	
TOLERANCES, UNLESS NOTED OTHERWISE	APPROVALS	DATE			
mm ± .15	DRAWN				
.xxx ± .1	CHECKED				
90° ANGLES ± .1°	APPROVED			UNIT	DWG NO.
FIRST ANGLE PROJECTION			03.05.16	mm	KP3.840.019
				SCALE	SHRTR
				NOT TO SCALE	VER. 1.0

A	B	C	D	E	F	1	2	3	4	5	6	7	8
A	B	C	D	E	F								