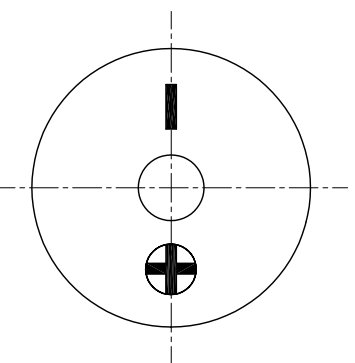
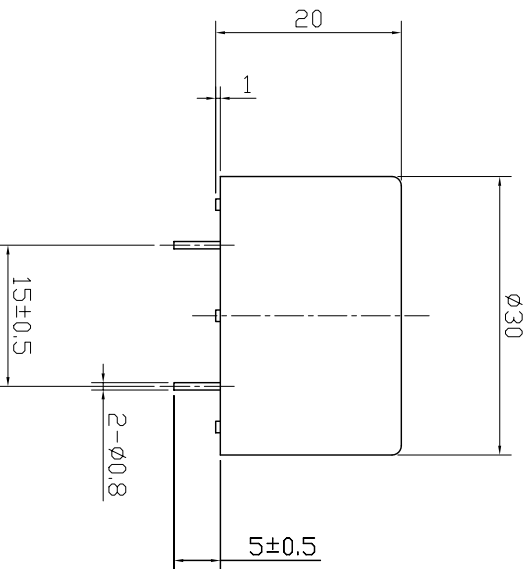


# SPECIFICATION

- 1. Rated Voltage .....3VDC
- 2. Operating Voltage ..... 1.5~5VDC
- 3. Max. Rated Current .....25mA/3VDC
- 4. Resonant Frequency .....3.9±0.5KHz
- 5. Min. Sound Pressure Level..... 88dB at 3VDC/30cm
- 6. Tone Nature .....Continuous
- 7. Shell Material/Color .....PC/Black
- 8. Operating Temperature .....-20~+80°C
- 9. Store Temperature .....-30~+100°C
- 10. Weight .....8g



No.	DESCRIPTION	APPROVED	DATE	<b>KEPO</b> NINGBO KEEP IMPROVING ELECTRONIC CO.,LTD <a href="http://www.chinaacoustic.com">http://www.chinaacoustic.com</a>	
TOILENANGLIS SOPHOTHIRWIS	APPROVALS	DATE			
xxx # 90° ANGLES ±° FIRST ANGLE PROJECTION	DRAWN				
CHECKED	APPROVED	03.07.23	UNIT	DWG NO.	SHR
			mm	KP3.840.063	VER. 1.2
			SCALE	NOT TO SCALE	