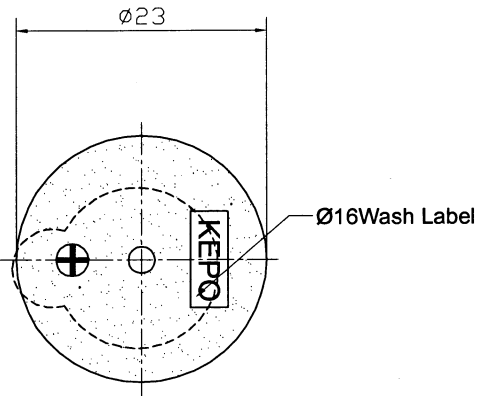
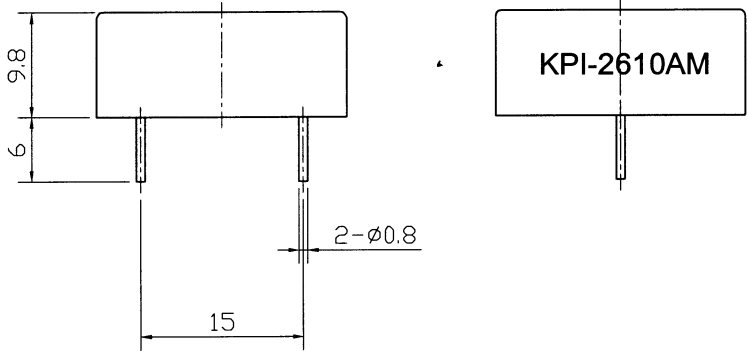


SPECIFICATION

- 1. Rated Voltage12 VDC
- 2. Operating Voltage5~15VDC
- 3. Max. Rated Current8mA at 12VDC
- 4. Resonant Frequency3.3±0.5KHz
- 5. Min. Sound Pressure Level.....80dB at 12VDC/30cm
- 6. Tone NatureFast Pulse
- 7. Shell Material/ColorABS/Black
- 8. Operating Temperature-20~+60°C
- 9. Store Temperature-30~+70°C
- 10. Weight2.5g



		KEPO NINGBO KEPO ELECTRONIC CO.,LTD http://www.chinaacoustic.com	
Piezo Buzzer Quartz-1		KPI-2610AM	
No.	DESCRIPTION	APPROVED	DATE
TOLERANCES UNLESS NOTED OTHERWISE X .XX + XXX ± 90° FORMED ±1° ANGLES -1°		APPROVALS	DATE
FIRST ANGLE PROJECTION		DRAWN	UNIT
		CHECKED	mm
APPROVED		DATE	DWGNO.
		08.05.19	OEM2926
		SCALE	SHEET
		NOT TO SCALE	VER 1.0