

Specification	Page	2/9
	Revision No.	1.0
	Drawing No.	KIC1822
Model No. : KPCM-G9745P+CA-1822		

CONTENTS

1. Scope
2. General
3. Electrical and Acoustic Characteristics.
4. Reliability Test
5. Measurement Block Diagram & Response curve
6. Structure
7. Dimensions
8. Packing
9. Revision

Specification	Page	3/9
	Revision No.	1.0
	Drawing No.	KIC1822
Model No. : KPCM-G9745P+CA-1822		

1. Scope

This specification is applied to the MIC which is used all of the electrical acoustic product.

-- applications: mobile phone, PDA, notebook computer, etc. ..

2. General

2.1 Out-Diameter : Ø9.7mm

2.2 Height : 4.5mm

2.3 Weight : 1g.

2.4 Operating Temperature range:

-10~+60°C without loss of function

2.5 Store Temperature range:

-40~+70°C without loss of function

3. Electrical Characteristics.

Test condition : 5 ~ 35 °C, 45% ~ 85% RH, 860~1060 mbar

NO.	Items	Specifications
1	Impedance	1.5KΩ ± 30% at 1KHz
2	Operating Voltage	Min.1V Standard 1.5V Max. 10V
3	Sensitivity	-44± 3dB at 1KHz(0dB=1V/Pa)
4	Current Consumption	less than 500 μA
5	Input Sound Level	Max 110dB S.P.L
6	S/N Ratio	≥58dB at 1KHZ
7	Sensitivity Reduction	less than - 3dB (VTerminal1 varies 1.5V→1.1V)
8	Directivity	Omnidirectional
9	Testing Condition	1000Hz, Vs=1.5V, RL=1.5KΩ
10	Shell Material/Color	AL/Silver
Note:		

Specification	Page	4/9
	Revision No.	1.0
	Drawing No.	KIC1822
Model No. : KPCM-G9745P+CA-1822		

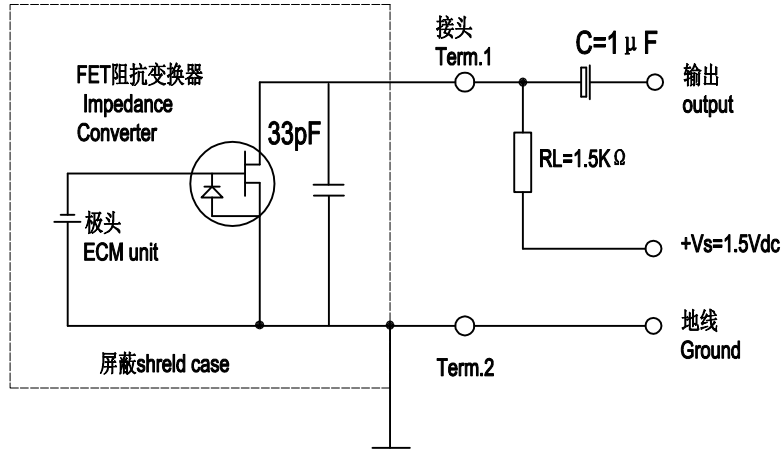
4. Reliability Test

After test(1~7item), the MIC sensitivity to be within +/-3dB from initial sensitivity.

	Item	Specification
1	High Temperature Test	After exposure at +70° C for 200 hours, sensitivity to be within $\pm 3\text{dB}$ from initial sensitivity. (The measurement to be done after 2 hours of conditioning at 20° C).
2	Low Temperature Test	After exposure at -25° C for 200 hours, sensitivity to be within $\pm 3\text{dB}$ from initial sensitivity. (The measurement to be done after 2 hours of conditioning at 20° C).
3	Humidity Test	After exposure at +40° C and 90 to 95% relative humidity for 200 hours, sensitivity to be within $\pm 3\text{dB}$ from initial sensitivity. (The measurement to be done after 2 hours of conditioning at 20° C).
4	Thermal Shock Test	After exposure at -25° C for 30 minutes, at 20° C for 10 minutes, at +70 ° C for 30 minutes, at 20° C for 10 minutes, 5 cycles, sensitivity to be within $\pm 3\text{dB}$ from initial sensitivity. (The measurement to be done after 2 hours of conditioning at 20° C).
5	Vibration Test	To be no interference in operation after vibrations, 10 Hz to 55 Hz for 1 minute full amplitude 1.52 mm, for 2 hours at three axes.
6	Drop Test	To be no interference in operation after dropped to concrete floor each one time from 1 meter height at three directions in state of packing.

Specification	Page	5/9
	Revision No.	1.0
	Drawing No.	KIC1822
Model No. : KPCM-G9745P+CA-1822		

5.Measurement Circuit (Test Condition VS=1.5Vdc,RL=1.5KΩ)



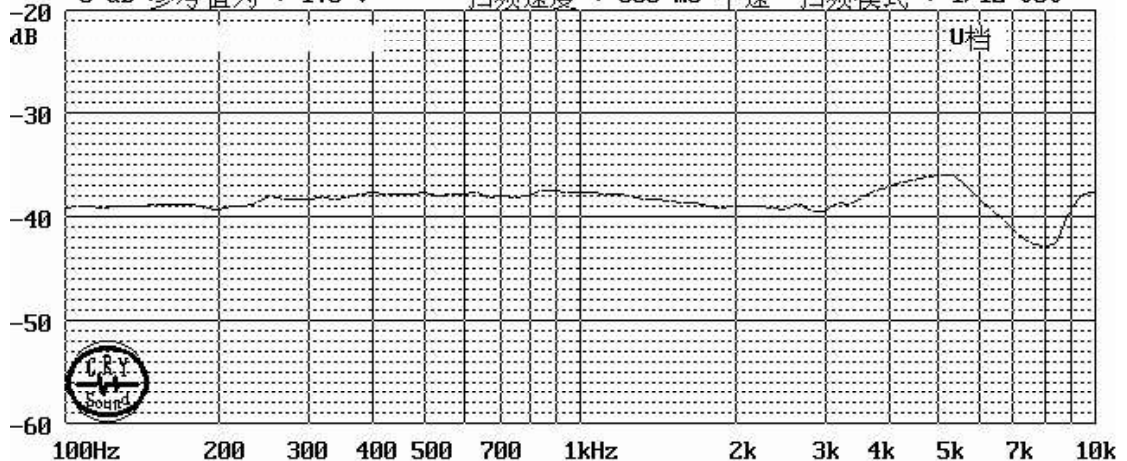
Typical Frequency Response CU+rve

01/28/2010 16:51

CRY6125M 麦克风咪头测试仪 V91

电信号输入

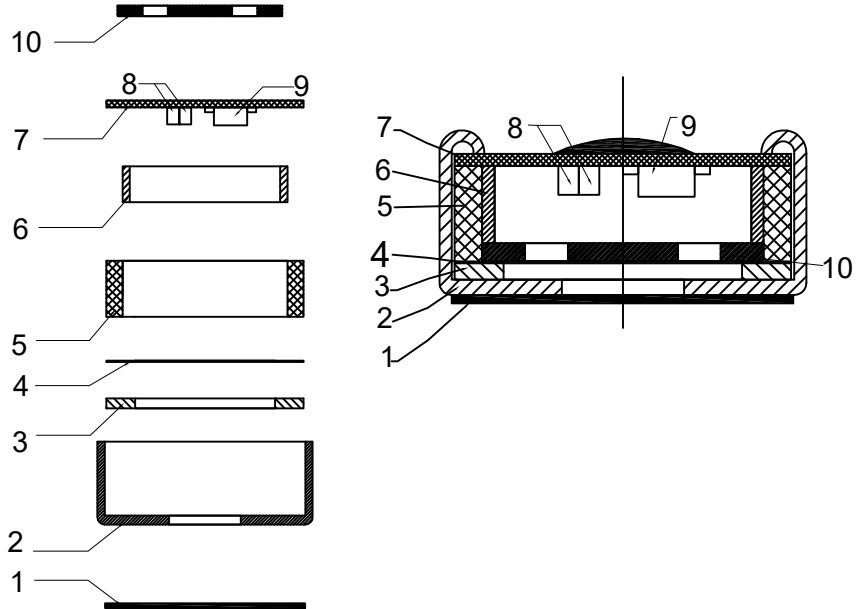
型号:9745APC33 1kHz灵敏度 : -037.71 dB 1kHz阻抗 : _____ Ω 滤波器1次
 电压: 4.50 V → 70Hz灵敏度 : _____ dB 无框
 电阻: 2200 Ω 4000Hz灵敏度 : -037.19 dB 咪头电流 I= 153uA 00005(09.0%)
 Total pcs=00055 Pass=00000(00.0%) Fail=00055(00.0%) 入框不合格数=00000(00.0%)
 85.4% 00.0% 00.0% 00.0% 00.0% 00.0% 00.0% 00.0% 00.0% 00.0% 00.0% 05.4%
 47 i 0i 0i 0i 0i 0i 0i 0i 0i 0i 0i 3
 -47.0 -46.0 -45.0 -44.0 -43.0 -42.0 -41.0 -40.0 -39.0 -38.0 -37.0
 0 dB 参考值为 : 1.0 V 扫频速度 : 003 ms 中速 扫频模式 : 1/12 Oct



Specification	Page	6/9
	Revision No.	1.0
	Drawing No.	KIC1822

Model No. : KPCM-G9745P+CA-1822

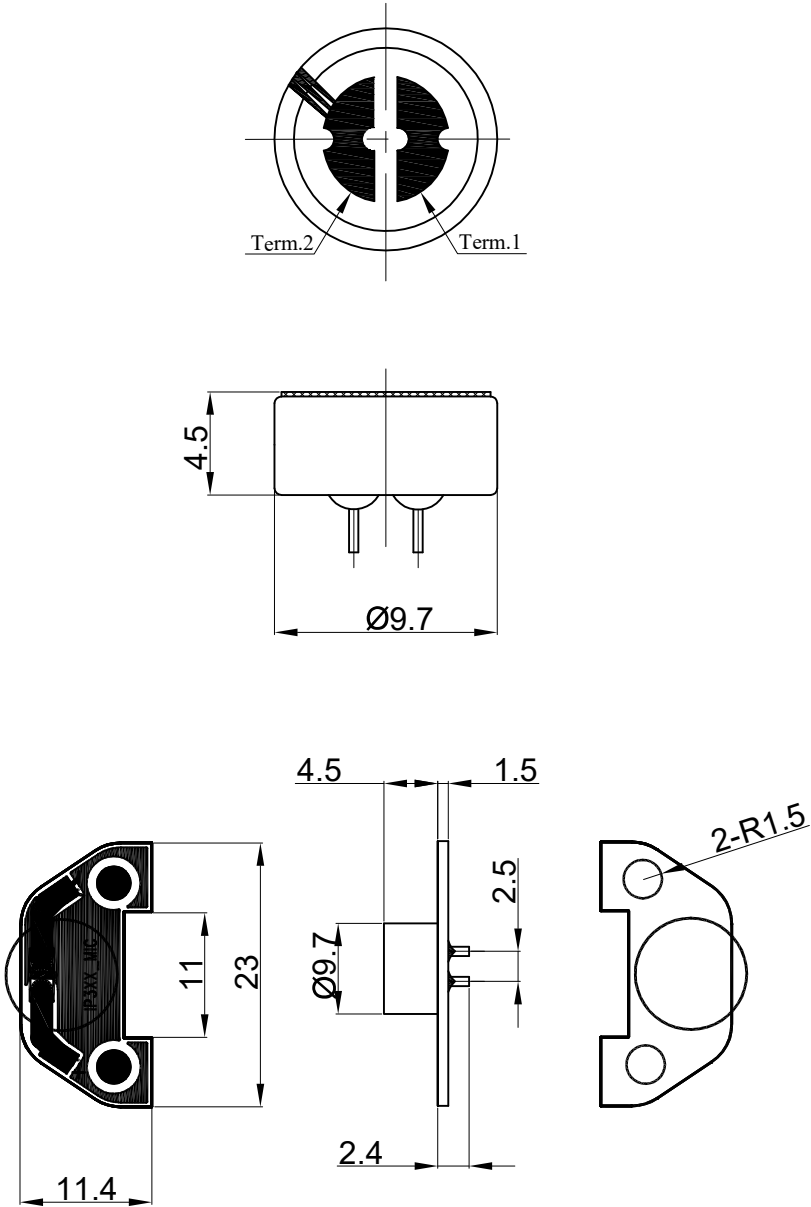
6. Structure



No. 序号	Part name 部件名称	Materials Type 材料型号	Qty 数量	Origin 产地	Manufactur e 协力厂商	Remarks 备注
1	FELT	Fabric cloth	1	China	Dongguan	
2	Case	AL	1	China	Shanghai	
3	Diaphragm	FEP50A	1	USA	Dupont	
4	Spacer	Mylar	1	China	Hebei	
5	Housing Chamber	Gather formaldehyde	1	China	Changzhou	
6	Copper ring	Copper tube	1	China	Changzhou	
7	P.C.B	FR-4	1	China	Shuzhou	
8	CHIP CAPACITOR	33P	1	Japan	Murata	
9	FET	TF202C	1	Japan	SANY	
10	ELECTRET BACK	Copper blank	1	China	Ningbo	

Specification	Page	7/9
	Revision No.	1.0
Model No. : KPCM-G9745P+CA-1822	Drawing No.	KIC1822

7. Dimensions

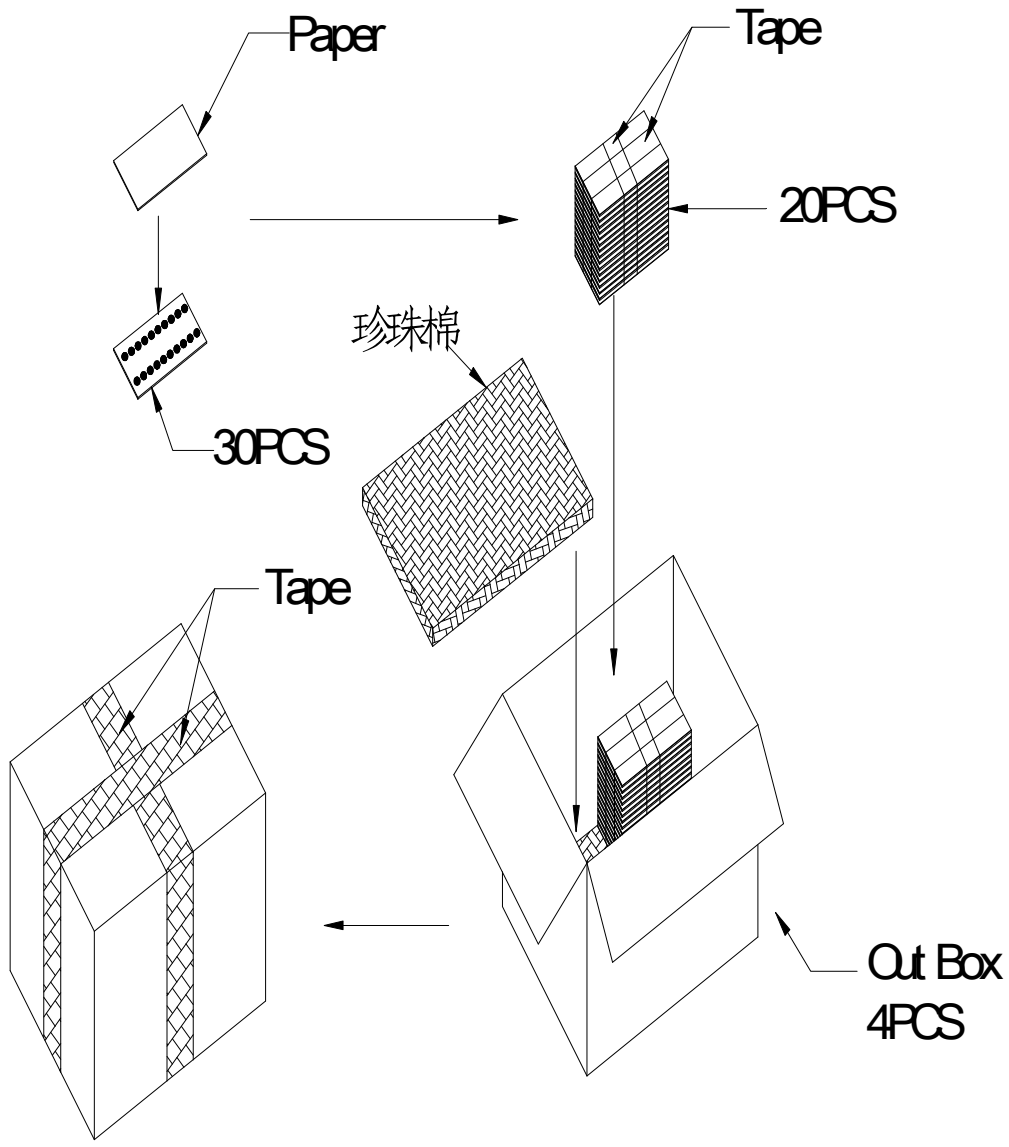


FIRST ANGLE PROJECTION

UNIT : mm
Tolerance : ± 0.2

Specification	Page	8/9
	Revision No.	1.0
Model No. : KPCM-G9745P+CA-1822	Drawing No.	KIC1822

8. Packing



Out Box 230mm×230mm×255mm 30×20×4=2400PCS

