

# SPECIFICATION



受 控

Customer : KEPO  
Applied To :  
Product Name : SPEAKER  
Model Name : KP2644SP1R8F650  
Drawing No. : KF3.001.532

Signature of Appronal

--

Signature of KEPO

Approved by	Checkde by	Issued by	Date
			



宁波凯普电子有限公司

Ningbo Kepo Electronics Co.,Ltd.

宁波东钱湖镇东钱湖工业区宝源路 25 号

TEL:+86-574-88370330 FAX:+86-574-88370329

No.25 Baoyuan road Dongqian Lake, Industry Area, Dongqian town,Ningbo City,  
China(Post Code:315121)

[Sales@chinaacoustic.com](mailto:Sales@chinaacoustic.com) [www.chinaacoustic.com](http://www.chinaacoustic.com)

Specification for Speaker	Page	2/9
	Revision No.	1.0
Model No. : KP2644SP1R8F650	Drawing No.	KF3.001.532

## CONTENTS

1. Scope
2. General
3. Electrical and Acoustic Characteristics.
4. Reliability Test
5. Measurement Block Diagram & Response curve
6. Structure
7. Dimensions
8. Packing
9. Revision

# Specification for Speaker

Page

3/9

Model No. : KP2644SP1R8F650

Revision No.

1.0

Drawing No.

KF3.001.532

## 1. Scope

This specification is applied to the dynamic speaker which is used all of the electrical acoustic product.

-- compact, rich sound

-- applications: mobile phone, PDA, notebook computer, etc. ..

## 2. General

2.1 Out-Diameter : 26 mm

2.2 Height : 4.7 mm

2.3 Weight : 5.5 g

2.4 Operating Temperature range:

-30~+70°C without loss of function

2.5 Store Temperature range:

-40~+85°C without loss of function

## 3. Electrical and Acoustic Characteristics.

Test condition : 15 ~ 35 °C, 25% ~ 85% RH, 860~1060 mbar

No	Items	Specification
1	Impedance	8 Ω ± 15% (1Vrms at 2.0KHz)
2	Sound Pressure Level	90 dB ± 3dB 0.1W/0.1M at (AVG 1.0,1.2,1.5,2.0kHz)
3	Resonance Frequency	650 Hz ± 20% at 1V
4	Frequency Range	Fo ~10KHz
5	Input Power	Rated 1 W / Max. 1.2 W
6	Distortion	<10% Max. at 2kHz/,0.1W/0.1m
7	Buss and Rattle	Should not be audible buzzes,rattles when the 2.83V sine wave signal swept at frequency range.
8	Polarity	When supplied plus D.C. voltage to (+) terminal, the cone diaphragm must move to forward.

# Specification for Speaker

Page

4/9

Revision No.

1.0

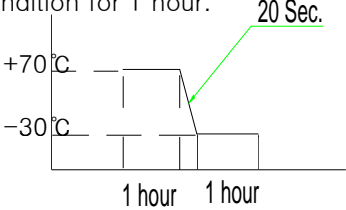
Model No. : KP2644SP1R8F650

Drawing No.

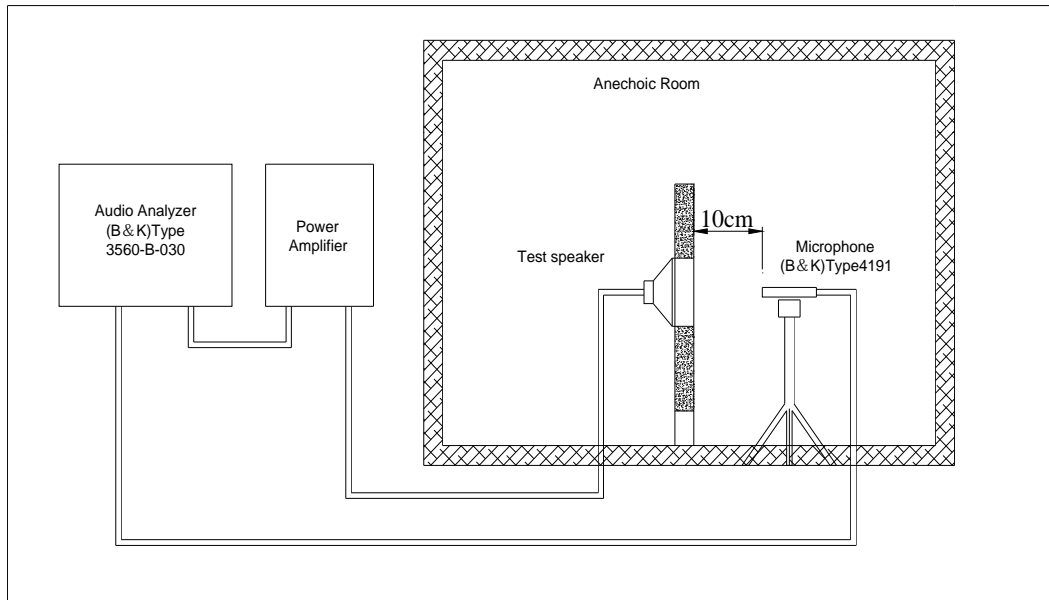
KF3.001.532

## 4. Reliability Test

After test(1~7item), the speaker S.P.L . difference shall be within  $\pm 3\text{dB}$ , and the appearance not exist any change to be harmful to normal operation (e.g. cracks,rusts,damages and especially distortion).

No	Items	Specification
1	High Temperature Test	After being placed in a chamber with $+85\pm 3\text{ }^\circ\text{C}$ for 96 hours and then being placed in natural condition for 1 hour, speaker shall be measured.
2	Low Temperature Test	After being placed in a chamber with $-40\pm 3\text{ }^\circ\text{C}$ for 96 hours and then being placed in natural condition for 1 hour, speaker shall be measured.
3	Humidity Test	After being placed in a chamber with 85 to 90%R.H. at $+40\pm 2\text{ }^\circ\text{C}$ for 96 hours and then being placed in natural condition for 1 hour, speaker shall be measured.
4	Thermal Shock Test	<p>After being placed in a chamber at <math>+70^\circ\text{C}</math> for 1 hour, then speaker shall be placed in a chamber at <math>-30^\circ\text{C}</math> for 1 hour(1 cycle is the below diagram). After 6 above cycles, speaker shall be measured after being placed in natural condition for 1 hour.</p> 
5	Vibration Test	After being applied vibration of amplitude of 1.5mm with 10 to 55Hz band of vibration frequency to each of 3 perpendicular directions for 1 hour, then placed in natural condition for 1 hour, speaker shall be measured.
6	Drop Test	The speaker when mounted in the jig which weight 85g~100g, shall with stand 15 times random drops from a height of 1.5 meter to a concrete floor faced with 5mm thick hard wood board.and be nothing mechanical damage.
7	Load test	After being applied loading white noise with input power 1W(2.83Vrms.) for 96 hours, then placed in natural condition for 1 hour, speaker shall be measured.
8	Insulation test	When they are measured with DC 100V the insulation resistance between v.c. terminal and frame must be more than $1\text{ M}\Omega$

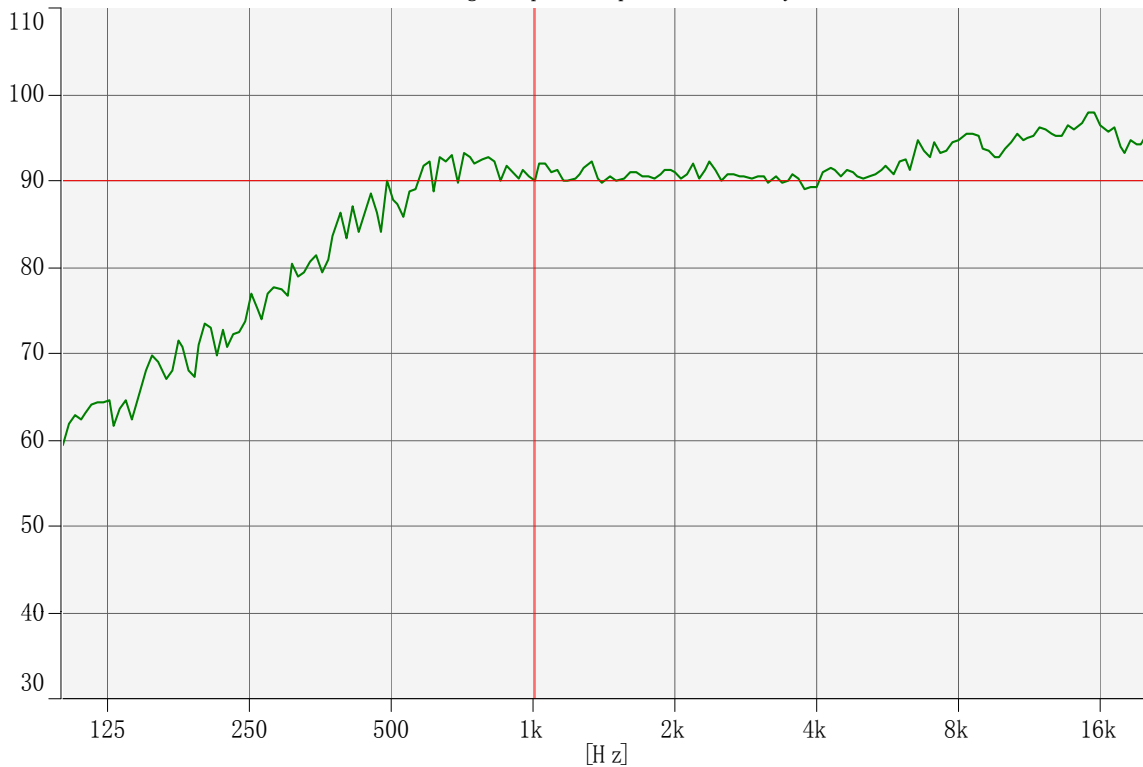
### 5. Measurement Block Diagram & Response curve



[dB/20.0u Pa]

Output Response (Signal1) - Input (Magnitude)

Working : Input : Input : SSR Analyzer



# Specification for Speaker

Page

6/9

Revision No.

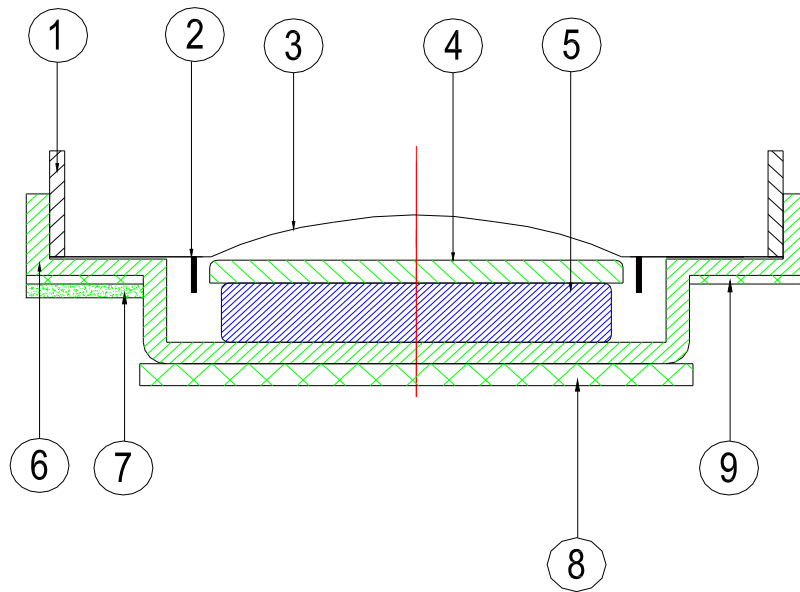
1.0

Model No. : KP2644SP1R8F650

Drawing No.

KF3.001.532

## 6. Structure



9	Screen	1	unwoven fabric	
8	Gasket	1	EVA	
7	Terminal	1	Epoxy PCB	
6	Frame	1	SPCC	
5	Magnet	1	Nd-Fe-B	
4	Plate	1	SPCC	
3	Diaphragm	1	PEN	
2	Voice Coil	1	Copper	
1	Gasket	1	Paper	
No.	Part Name	Q'ty	Material	Remarks

# Specification for Speaker

Page

7/9

Model No. : KP2644SP1R8F650

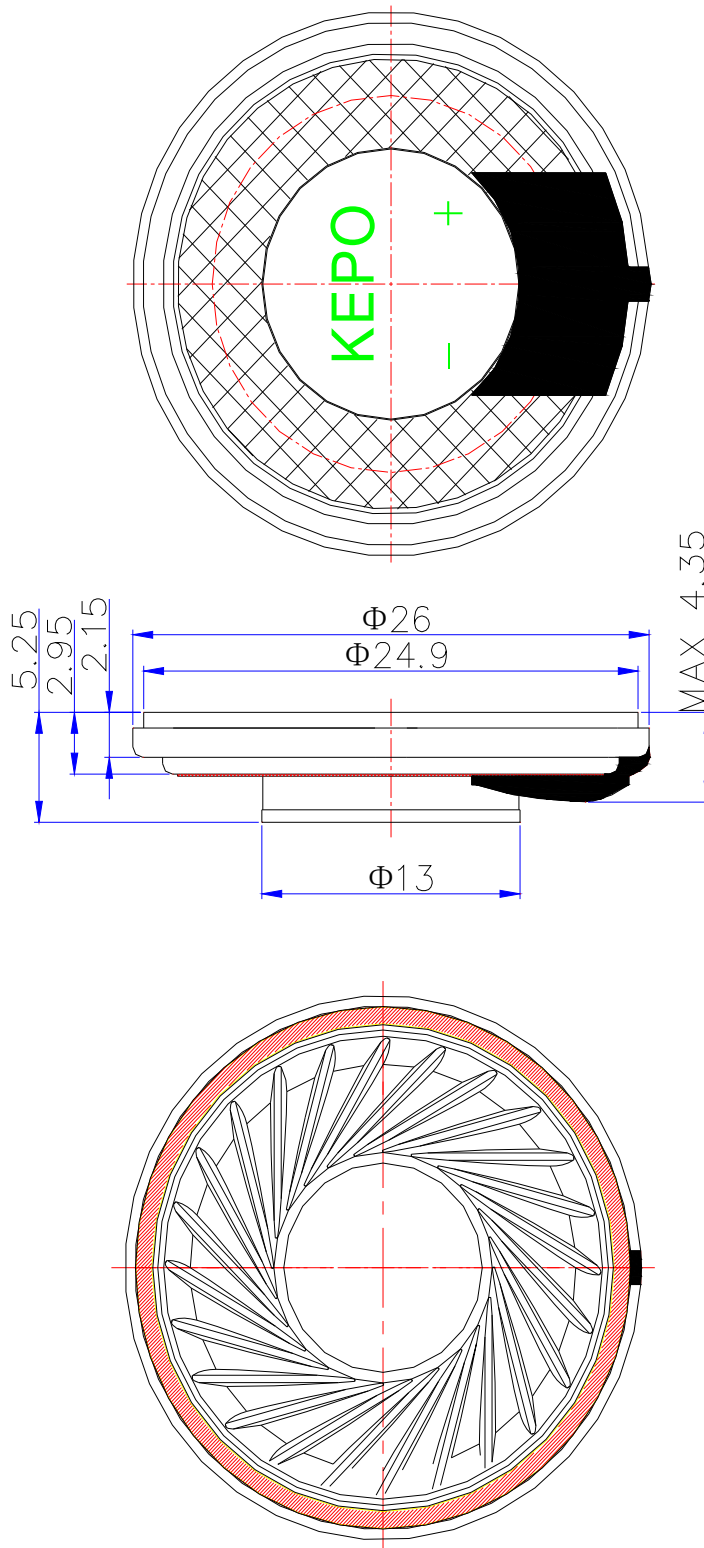
Revision No.

1.0

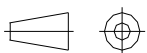
Drawing No.

KF3.001.532

## 7. Dimensions



FIRST ANGLE PROJECTION



UNIT : mm

Tolerance :  $\pm 0.2$

# Specification for Speaker

Page

8/9

Model No. : KP2644SP1R8F650

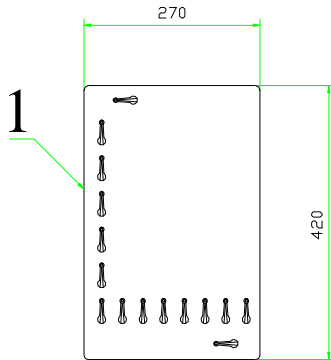
Revision No.

1.0

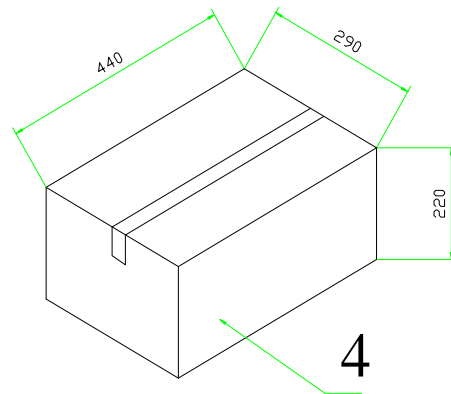
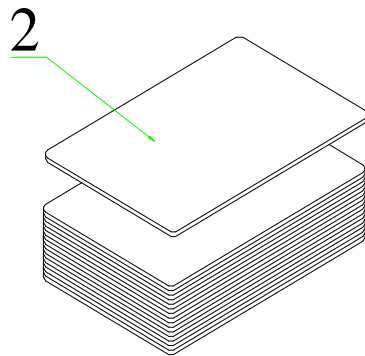
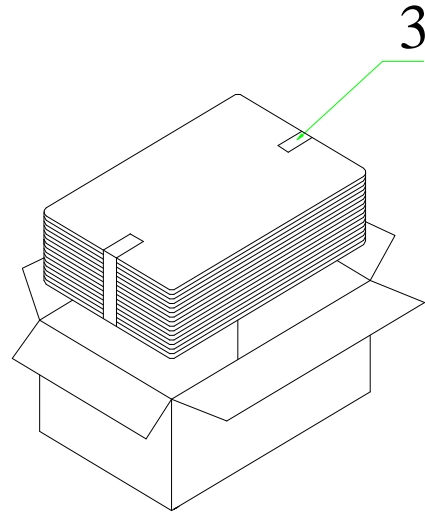
Drawing No.

KF3.001.532

## 8. Packing



85Pcs



QTY: 1360Pcs

440 x290 x220

该包装仅限KEPO单体使用，客户时根据客户明细表



