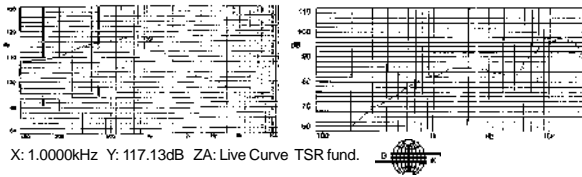


KP1308U1 2 Side Speaker

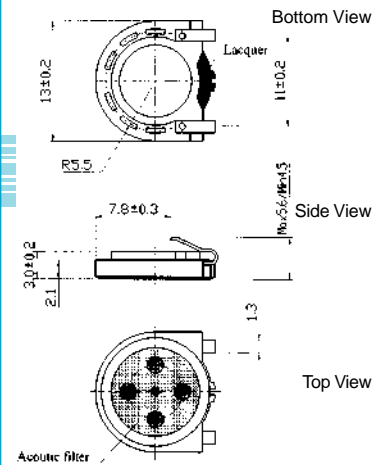
FREQUENCY RESPONSE
Magn dB re 20.00 μ Pa/V



Sine Wave 1.55V
Spring Terminal
ABS Frame

Model No	KP1308U1
Impedance	8 Ω \pm 15% at 1KHz 1.0V
Power Rating	Normal 0.3W/Max. 0.5W
Resonance Freq.(Fo)	700Hz \pm 20% 1.0V
Freq. Response	Fo Hz ~ 10KHz
Sensitivity (SPL) Receiver	117dB \pm 3dB / 1KHz at 100mV with IEC 318 coupler
Sensitivity (SPL) Speaker	82dB \pm 3dB / 0.5W at 10cm at 1K, 1.2K, 1.5KHz, 2KHz
Magnet Flux Density	2500 Gauss \pm 10%
Magnet Size	6.5 x 0.8t
Total Weight	1.7gr \pm 0.05gr

DIMENSIONS

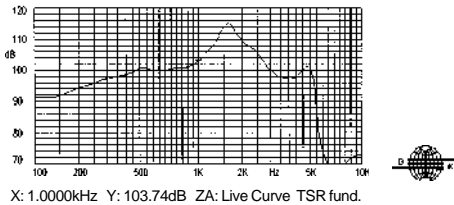


all dimensions are in mm

* Value applying at rated voltage

KP101601 series Receiver Unit

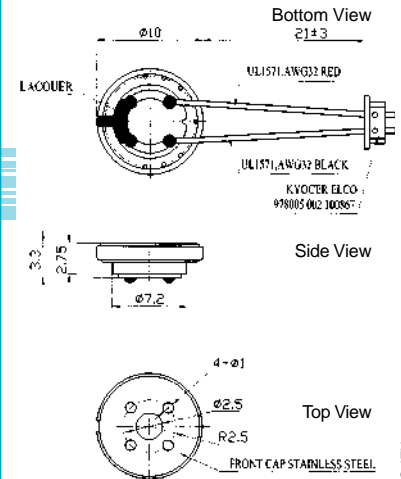
FREQUENCY RESPONSE
Magn dB re 20.00 μ Pa/V



Sweep Wave 10mW (0.6V)
Lead Type
Metal Frame

Model No	KP101601
Impedance	16 Ω \pm 15% at 1KHz 1.0V
Power Rating	Normal 10mW/Max. 20mW
Resonance Freq.(Fo)	Hz \pm 20% 1.0V
Freq. Response	Fo Hz ~ 4.0 KHz
Sensitivity (SPL)	102dB \pm 3dB / 1KHz at 100mV with IEC 318 coupler
Magnet Flux Density	2500 Gauss \pm 10%
Magnet Size	1 μ s x 0.8t
Total Weight	0.65g \pm 0.05g

DIMENSIONS

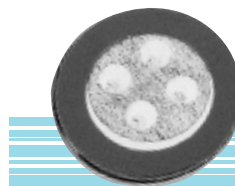
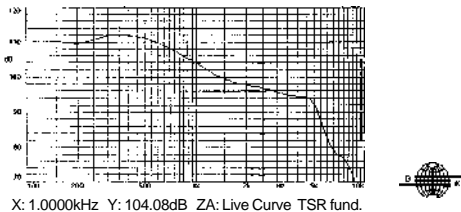


all dimensions are in mm

* Value applying at rated voltage

KP1532B3 series Dynamic Receiver Unit

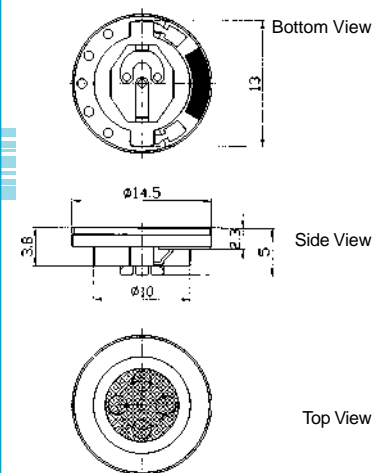
FREQUENCY RESPONSE
Magn dB re 20.00 μ Pa/V



Sine Wave 50mW
Spring Terminal
Metal Frame

Model No	KP1532B3
Impedance	32 Ω \pm 15% at 1KHz 1.0V
Power Rating	Normal 50mW/100mW
Freq. Response	Fo Hz ~ 4.5 KHz
Sensitivity (SPL)	104dB \pm 3dB / 1.0KHz at 100mV with IEC318 coupler
Magnet Flux Density	2500 Gauss \pm 10%
Magnet Size(Weight)	6.5 x 0.8t(0.6g)
Total Weight	1.15g \pm 0.05g

DIMENSIONS



* Value applying at rated voltage