

# SPECIFICATION

客户 (Customer) : \_\_\_\_\_

产品名称 (Production Name) : \_\_\_\_\_

金涛峪产品型号 (FSJTY Part No.) \_\_\_\_\_

客户产品型号 (Customer Part No.) : \_\_\_\_\_

图纸编号(Drawing No.) \_\_\_\_\_ 规格书版本 (Version) : \_\_\_\_\_

Signature of Approval by Customer

Signature of FSJTY

Spec for Ultrasonic transducer	Drawing No.	Rev. No.
Model: JYY300A20AD0H4-T0	UT021	A1
Drawing	Approval	Sales Dept.

佛 山 金 涛 峪 电 子 科 技 有 限 公 司

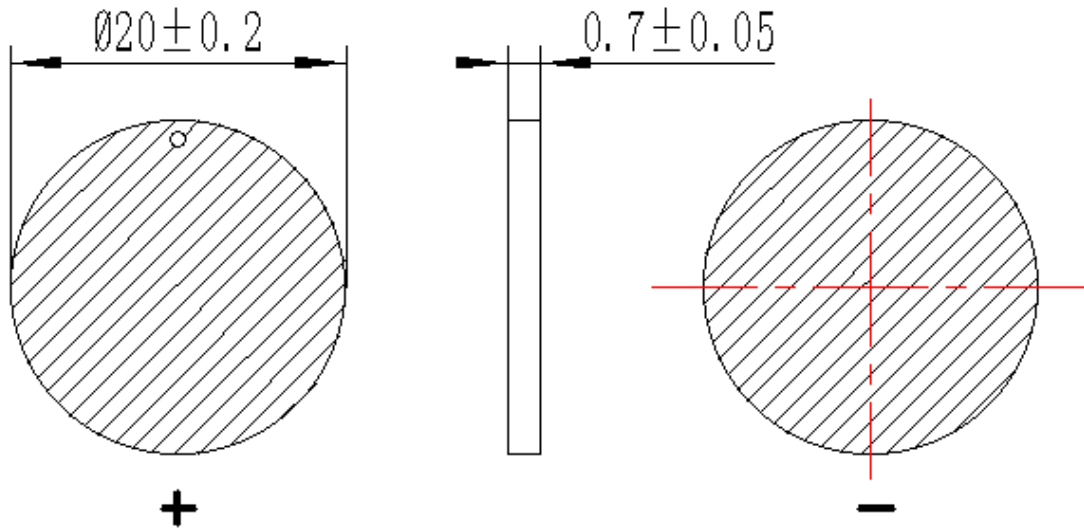
Foshan Jintaoyu Electronics Technology Co., Ltd

1. Application :

This Ultrasonic transducer is widely used for the High Frequency Unit.

2 . Part No. : JTY300A20AD0H4-T0

3 Appearance and Dimension :



unit: mm

Electrode material: Ag

4. Electronic Performance :

No.	Item	Unit	Specification	Test Instructions
1	Thickness Resonant Frequency(Fr)	MHz	3.0±0.05	Agilent 4294A
2	Thickness Resonant Impedance(Zr)	Ω	≤2.0	
3	Kt		≥0.44	Impedance analyzer
4	Dielectric Loss (tanδ)	%	≤0.4	
5	Electrostatic Capacitance (Co)	pF	6200±20%	At 1000Hz/1V/ 25°C Digital Electric Bridge (LCR)
6	d33		≥280	D33 Tester

Test conditions: ultrasonic transducer shall be measured under a condition:

(Temp.:25°C±5°C, Humidity: 40%~70% R.H.).

## 5. Standard Package

Qty/Carton (pcs)	Carton Size (cm)	G.W. (Kg)	N.W. (kg)
6000	36.7×32.7×20.5	11.7	10.2

## 6 . Notes

1. The ultrasonic transducer should be packed completely in the closed environment, there is no acidic, alkaline, or other corrosive gases around it, no strong mechanical vibration or magnetic field in the warehouse.
2. Because strong impact stress on the transducer leads to damage the appearance and damage the electronic performance of it , so please take it with care to prevent strong impact stress on it..
3. The ultrasonic transducer should be taken by hand with the clean gloves or fingerstall to prevent the oil or sweat to contaminate the electrode surface of it.
4. The main material of the ultrasonic transducer is lead zirconate-titanate ceramics, so please abide by the local Environmental laws and regulations when discarding.

### 规格书版本记录 (Revision History Record)

Revision No.	Date	Page	Description
A0	2016-11-20	/	New Spec
A1	2017-05-10	/	Spec Format Updated