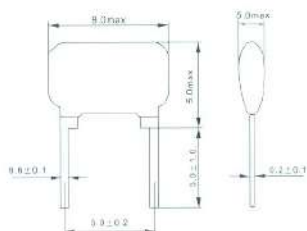


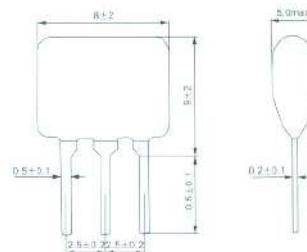
Ceramic Filter



JT10.7MG...-A



JT4.5-6.5...



● **10.7MHz Series Ceramic Discriminator for FM**
10.7MHz 系列调频用陶瓷鉴频器

Part Number 型号	Center Frequency (MHz) 中心频率	3dB Band Width (KHz) 3dB 带宽	Distortion Factor (%) 失真度	Recovered Audio Voltage (mV) 鉴频输出	Applied IC in Test Circuit 测试电路适用集成块	Detection Method 检波方式
JT10.7MG3-A	10.7±0.03	≥±150	≤1.0	≥650	TA7303P	DifferentialPeak 微分峰值检波
JT10.7MG7-A	10.7±0.03	≥220	≤1.0	≥60		Quadrature 正交检波
JT10.7MG16-A	10.7±0.03	≥300	≤0.9	60-90	TA8122AN	Quadrature 正交检波
JT10.7MG18-A	10.7±0.03	≥300	≤0.9	60-90	TA8132N	Quadrature 正交检波
JT10.7MC1-A	10.7±0.03	≥242	≤1.0	≥20	CXA1019 M(SONY)	Quadrature 正交检波
JT10.7MA-A	10.7±0.03	≥350	≤1.0	≥80		

● **Ceramic Discriminator for TV/VCR**
电视机录像机用陶瓷鉴频器

Part Number 型号	3dB Band Width (KHz) 3dB 带宽	Distortion Factor (%) 失真度	Recovered Audio Voltage (mV) 鉴频输出	Applied IC in Test Circuit 测试电路适用集成块	Detection Method 检波方式
JT4.5MD	≥±40	≤3	100	CA3065	Differential Peak 微分峰值检波
JT5.5-6.5MD	≥±50	≤3	100		
JT4.5MC	≥±50	≤1.5	140	μ PC1382C	Quadrature 正交检波
JT5.5-6.5MC	≥±60	≤1.5	140		
JT4.5ME	≥±50	≤2.5	300	LA7550	
JT5.5ME	≥±80	≤2.0	640		
JT6.0ME	≥±100	≤1.5	570		
JT6.5ME	≥±90	≤1.5	650		

Contacts:

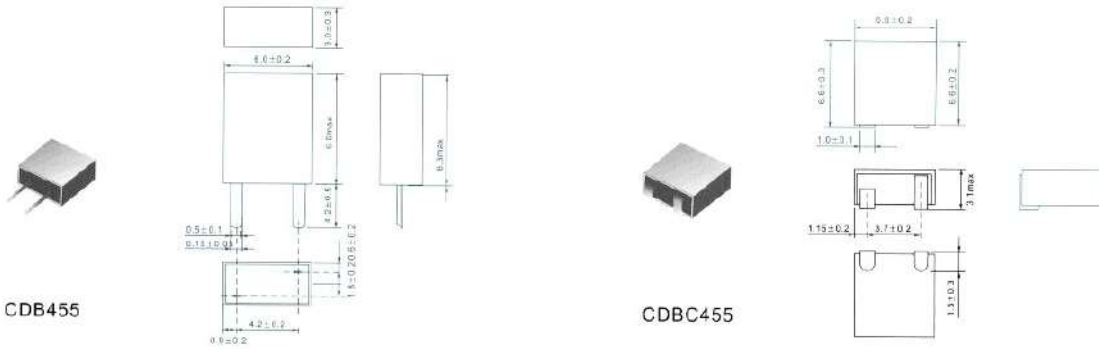
TELCONA AG,Head Office: Höri, Switzerland
TELCONA AG,Sales Office: Sinsheim, Germany
TELCONA AG,Sales Office: Lésigny, France

Tel.++41-1-860 2550
Tel.++49-7261-655 388
Tel.++33-1-60 34 28 28

Fax.++41-1-860 2822 www.telcona.com
Fax.++49-7261-655 389
Fax ++33-1-60 34 28 29

Ceramic Filter

● **Ceramic Discriminator for IF**
IF 用陶瓷鉴频器



Part Number 型号		Antiresonant Freq. Fa 反谱频率	$\Delta F(Fa-Fr)$	Resonant Resistance Rt 谐振电阻	Capacitance (C) 电容
DIP Type	SMD Type				
CDB455C3	CDBC455C3	455±1.5KHz	48±5KHz	70max	600pF±20%
CDB455C4	CDBC455C4	470±1.0KHz	43±2.0KHz	300max	140pF±20%

Part Number 型号		Demodulation 3dB Band Width 解调3dB带宽	Demodulation Output (455KHz) 解调输出	Distortion Factor (455KHz) 偏差因素(%)
DIP Type	SMD Type			
CDB455C7	CDBC455C7	±4.0KHz min	340±60mV	2.0max
CDB455C9	CDBC455C9	±5.0KHz min	100mV	1.5max
CDB455C16	CDBC455C16	±4.0KHz min	190±50mV	2.0max
CDB455C18	CDBC455C18	±3.0KHz min	180±40mV	2.0max
CDB455C28	CDBC455C28	±4.0KHz min	40±20mV	3.0max
CDB455C29	CDBC455C29	±4.0KHz min	125±30mV	2.5max
CDB455C32	CDBC455C32	±4.0KHz min	40±20mV	3.0max
CDB455C34	CDBC455C34	±4.0KHz min	65±20mV	2.5max

Contacts:

TELCONA AG, Head Office: Höri, Switzerland Tel. ++41-1-860 2550 Fax. ++41-1-860 2822 www.telcona.com
 TELCONA AG, Sales Office: Sinsheim, Germany Tel. ++49-7261-655 388 Fax. ++49-7261-655 389
 TELCONA AG, Sales Office: Lésigny, France Tel. ++33-1-60 34 28 28 Fax ++33-1-60 34 28 29