

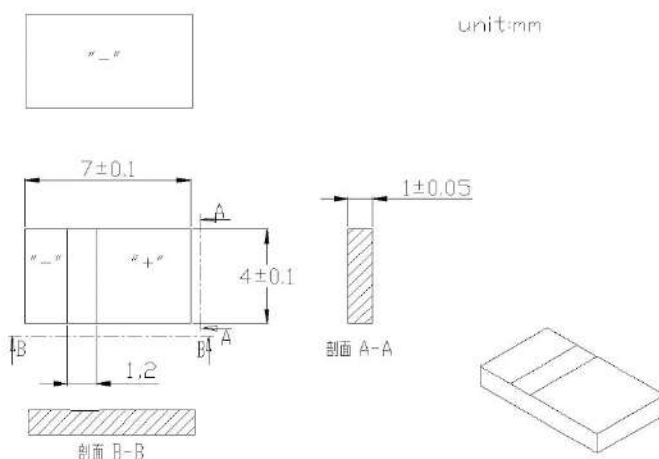
Product Specification

1. Part Number: JHTCJ-P53-7.0X4.0X1.0-C0.34

2. Electronic Performance

No.	Item	Specifications
1	静态电容 Electrostatic capacitance	$0.34 \pm 20\% \text{nF}$
2	介电损耗 Dielectric loss $\tan\delta$	$\leq 2.5\%$
3	谐振频率 Resonant Frequency(F_s)	$2.15 \pm 0.1 \text{MHz}$
4	谐振阻抗 Resonant Impedance	$\leq 200 \Omega$
5	反谐振频率 Anti-Resonant Frequency(F_a)	$2.25 \pm 0.1 \text{MHz}$
6	压电陶瓷片长度 L (mm) piezoelectric ceramic disc diameter	$7.0 \pm 0.10 \text{mm}$
7	压电陶瓷片宽度 W (mm) piezoelectric ceramic disc thickness	$4.0 \pm 0.10 \text{mm}$
8	压电陶瓷片厚度 H (mm) piezoelectric ceramic disc thickness	$1.0 \pm 0.05 \text{mm}$

3. Appearance and Dimensions (Unit: mm)



Drawing	Audit	countersign	Approval
Lihuceng	Chutao	Longyakai	Liuchangliu