



File No: HN-120331

Date: 2012.03.31

TO: _____

压电陶瓷换能器
(Piezoelectric Crystal)

HNP-43 d50x2,6-S

产品性能确认书
(Technical Datasheet)



苏州工业园区海纳科技有限公司

Add: No.17, Jingu Road, Chefang District, Suzhou Industrial Park, Jiangsu China; Zip code: 215124

Tel: +86 512 62609098; Fax: +86 512 65918591

性能参数 (SPECIFICATION)

1. 描述 DESCRIPTION

Piezoelectric Crystal

2. 规格 MODEL

HNP-43 d50x2,6-S

3. 性能参数 SPECIFICATION

3.1 尺寸 DIMENSIONS

详见产品外形图 As per the drawing No: HNP-43 d50x2,6-S

3.2 电性能参数 ELECTRICAL SPECIFICATION

3.2.1 谐振频率 Resonant Frequency (fr)

$$f_r = 44.0\text{KHz} \pm 5\%$$

3.2.2 谐振阻抗 Resonant Impedance (Zr)

$$Z_r \leq 2 \Omega$$

3.2.3 静态电容 Capacitance (Cp)

$$C_p = 8000\text{pF} \pm 10\%$$

3.2.4 品质因素 Mechanical Factor (Qm)

$$Q_m \geq 400$$

3.2.5 谐振频宽 Frequency Bandwidth ($\Delta f = f_p - f_r$)

$$\Delta f \geq 6.0\text{KHz}$$

3.2.6 绝缘阻抗 Insulation Impedance (Rv)


$$R_v \geq 100\text{M} \Omega \quad (2500\text{V DC})$$

4. 测试过程控制 TEST PROCEDURE

4.1 测试条件 TEST ATMOSPHERE

温度 Temperature: $23 \pm 3^\circ\text{C}$

湿度 Humidity: 40 ~ 70%RH.

Title: Piezoelectric Crystal	Design	Check	Approval
 Hainertec	Issue Date Mar. 30 th , 2008	DWG: HN-0830-1 1/2	

4.2 测试设备 APPARATUS FOR TEST

4.2.1 Test these parameters: C_p 、 f_r 、 Z_r 、 Q_m and Δf

TH2818 Impedance Analyzer or the Piezoelectric Impedance Analyzer.

4.2.2 Test R_v

High-voltage Insulation Tester. Model: 3121 KYORITSU

5. INPUT POWER

Maximum Input Power: 30W

Maximum Input Voltage V_{P-P} : 250V

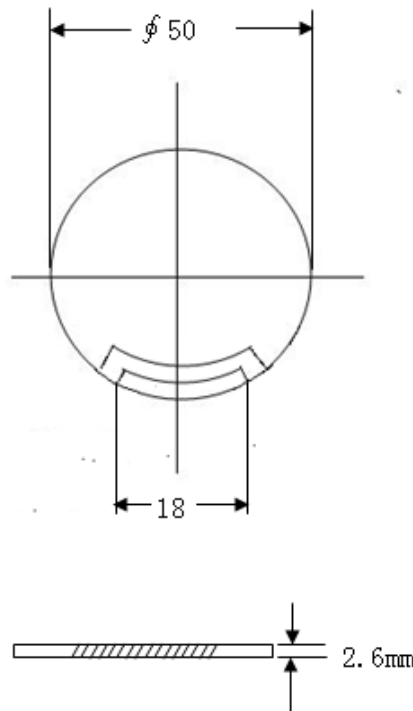
6. WORKING CONDITION


Environment Temperature: $-5^{\circ}\text{C}\sim+40^{\circ}\text{C}$

Environment Humidity: $\leq 85\%RH$.

Working Temperature: $\leq 80^{\circ}\text{C}$

Drawing:



Title: Piezoelectric Crystal	Design	Check	Approval
	Issue Date Mar. 30 th , 2008	DWG: HN-0830-1 2/2	