

1

2

3

4

SPECIFICATION

受 控

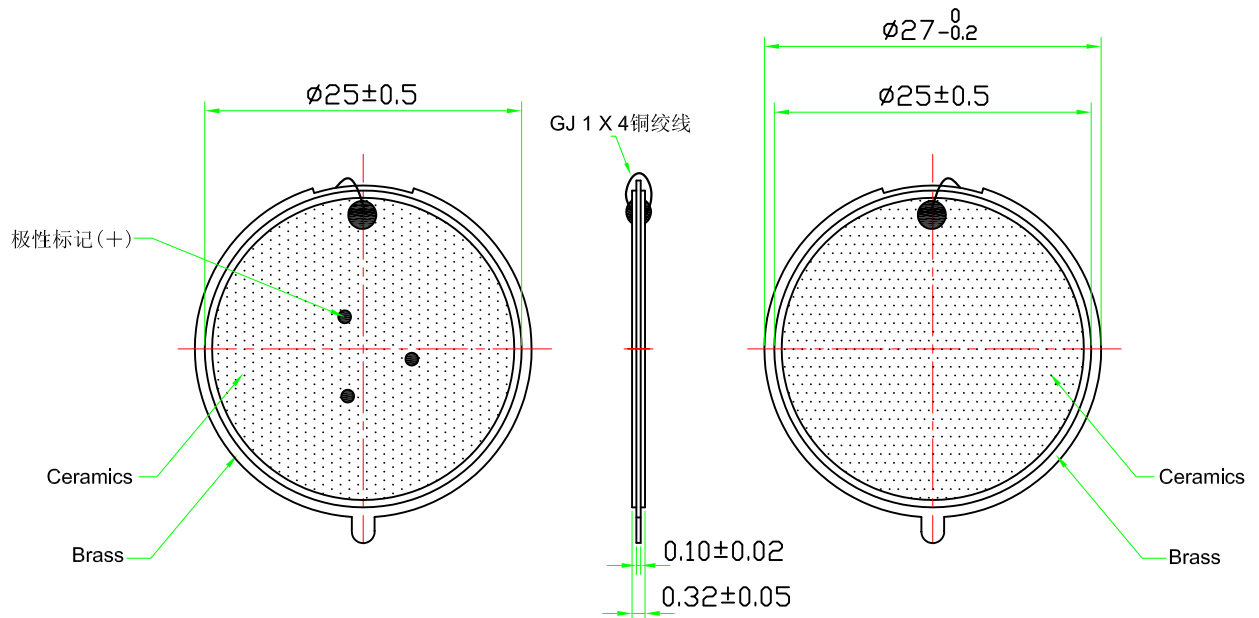
1. SCOPE

This specification is applied to the piezo-element.

2. SPECIFICATION

(at25°C)

| | | |
|---------------------------|---|------------------------|
| 2.1 Resonant Frequency | : | 2.4± 0.5KHz |
| 2.2 Resonant Resistace | : | 150 Ω max |
| 2.3 Capacitance | : | 140000pF± 30% at 100Hz |
| 2.4 Input Voltage | : | 30Vp-p max |
| 2.5 Operating Temperature | : | -20~+60°C |
| 2.6 Storage Temperature | : | -20~+70°C |
| 3. DIMENSION | : | as per figure |



备注:

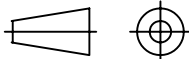
- 带标记点一面为正极面，标记点直径1.0mm；
- 焊点直径控制在 2.3 ± 0.5 mm；
- 内包装采用自封袋包装，自封袋尺寸 140×200 mm，每袋装100PCS

TOLERANCES UNLESS NOTED OTHERWISE

.X ±
.XX ±
.XXX ±

90° FORMED +2°
ANGLES -1°

FIRST ANGLE PROJECTION



| | | | | |
|--------------|----------|-----------------|--------------|-----|
| DRAWN | 汪逸 | KEPO MODEL NO. | CUSTOMER | |
| DESIGN | | HFT-27T-2.4ASL2 | CUSTOMER NO. | |
| CHECKED | | DWG NO. | VER | 1.3 |
| APPROVED | 徐锦生 | KP3.844.812.02R | SCALE | |
| DATE | 10.06.01 | | UNIT | mm |
| CONTRACT NO. | | | SHEET | |

AGENCY APPROVAL

Ningbo Kepo Electronics Co.,Ltd.

TEL:(+86)574-88370330
FAX:(+86)574-88370329

1

2

3

4