

规格书编号

SPEC NO :

产品规格书

SPECIFICATION

CUSTOMER 客户: _____

PRODUCT 产品: _____ SAW FILTER _____

MODEL NO 型号: _____ HDF140C F12 _____

PREPARED 编制: _____ CHECKED 审核: _____

APPROVED 批准: _____ D A T E 日期: _____ 2005-4-22 _____

客户确认 CUSTOMER RECEIVED:		
审核 CHECKED	批准 APPROVED	日期 DATE

无锡市好达电子股份有限公司
Shoulder Electronics Limited

1. SCOPE

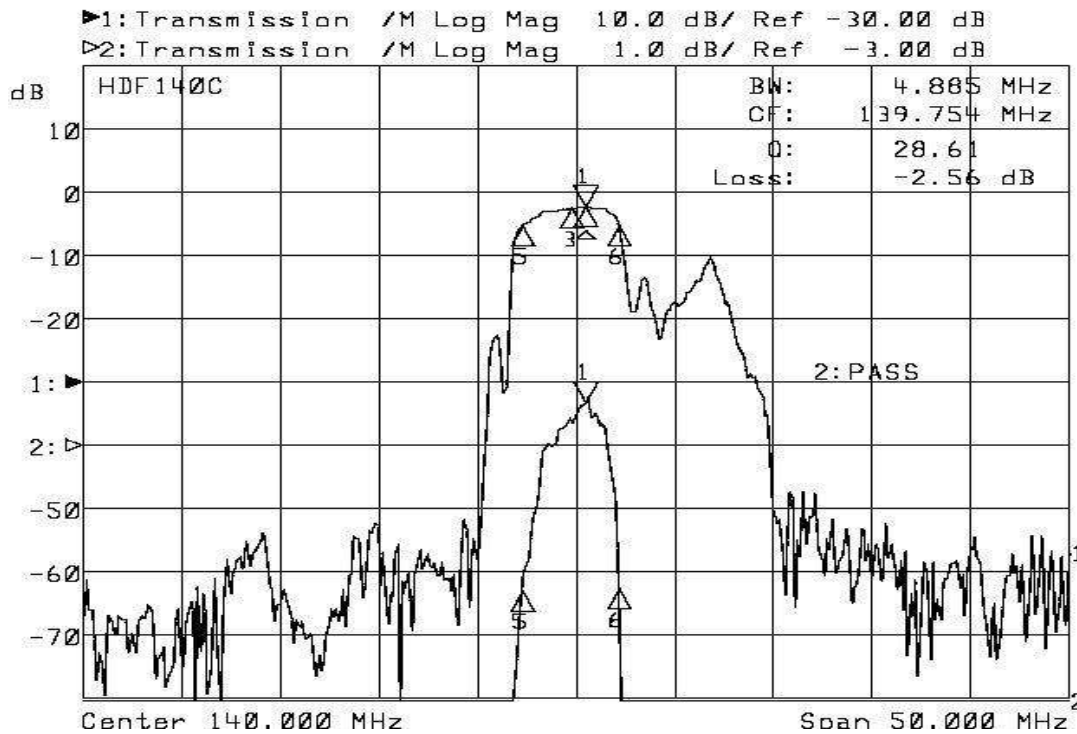
This specification shall cover the characteristics of SAW filter With F140C used for the page system.

2. ELECTRICAL SPECIFICATION

DC Voltage VDC	10V
AC Voltage Vpp	10V50Hz/60Hz
Operation temperature	-20°C to +60°C
Storage temperature	-45°C to +85°C
RF Power Dissipation	0dBm

Electronic Characteristics

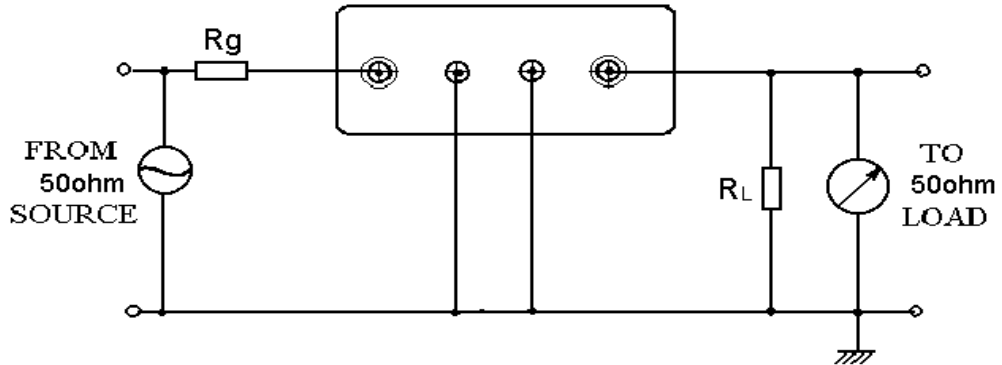
2-1. Typical frequency response



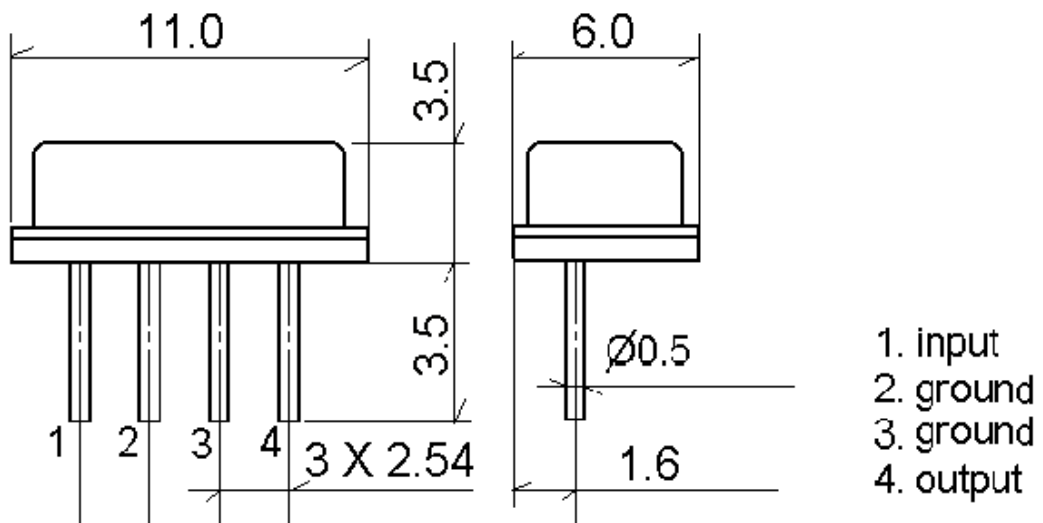
2-2. Electrical characteristics

Part Number	F140C	Unit
Nominal center frequency(Fo)	140.0	MHz
Insertion (Fo)		
1. DC.~Fo-10.7MHz	-40 min	dB
2. Fo	-4.5 min	
3. Fo+10.7MHz~100MHz	-40 min	
Passband width(at -3.0dB	$\geq \pm 2.0$ typ.	MHz
Ripple(within passband)	2.0 min	dB
Input/Output impedance(Nominal)	50//0	Ω //pF

3. TEST CIRCUIT



4. DIMENSION



5. ENVIRONMENTAL CHARACTERISTICS

5-1 High temperature exposure

Subject the filter to $+80^{\circ}\text{C}$ for 96 hours. Then release the filter into the room conditions for 1 to 2 hours prior to the measurement. It shall fulfill the specifications in table 1.

5-2 Moisture

Keep the filter at 40°C and 95% rh for 96 hours, then release the filter into the room conditions for 1 to 2 hours prior to the measurement. It shall fulfill the specifications in table 1.

5-3 Low temperature exposure

Subject the filter to -20°C for 96 hours. Then release the filter into the room conditions for 1 to 2 hours prior to the measurement. It shall fulfill the specifications in table 1.

5-4 Temperature cycling

Subject the filter to a low temperature of -55°C for 30 minutes. Following by a high temperature of $+85^{\circ}\text{C}$ for 30 Minutes. Then release the filter into the room conditions for 1 to 2 hours prior to the measurement. It shall meet the specifications in table 1.

5-5 Resistance to solder heat

Dip the filter terminals no closer than 1.5mm into the solder bath at $270^{\circ}\text{C} \pm 10^{\circ}\text{C}$ for 10 ± 1 sec. Then release the Filter into the room conditions for 1 to 2 hours. The Filter shall meet the specifications in table 1.

5-6 Mechanical shock

Drop the filter randomly onto the concrete floor from the height of 30cm 3 times. the filter shall fulfill the specifications in table 1.

5-7 Vibration

Subject the filter to the vibration for 1 hour each in x,y and z axes with the amplitude of 1.5 mm at 10 to 55 hz. The filter shall fulfill the specifications in table 1.

5-8 Lead fatigue

6-8-1 Pulling test

Weight along with the direction of lead without an shock 3 kg. The filter shall satisfy all the initial Characteristics.

6-8-2 Bending test

Lead shall be subject to withstand against 90°C bending in the direction of thickness. This operation shall be done toward both direction. The filter shall show no evidence of damage and shall satisfy all the initial electrical characteristics.

6. REMARK

6.1 Static voltage

Static voltage between signal load & ground may cause deterioration & destruction of the component. Please avoid static voltage.

6.2 Ultrasonic cleaning

Ultrasonic vibration may cause deterioration & destruction of the component. Please avoid ultrasonic cleaning

6.3 Soldering

Only leads of component may be soldered. Please avoid soldering another part of component.