

Approved by:

Checked by:

Issued by:

SPECIFICATION

PRODUCT: SAW FILTER

MODEL: HDAF38A3D



SHOULDER ELECTRONICS LIMITED

1.SCOPE

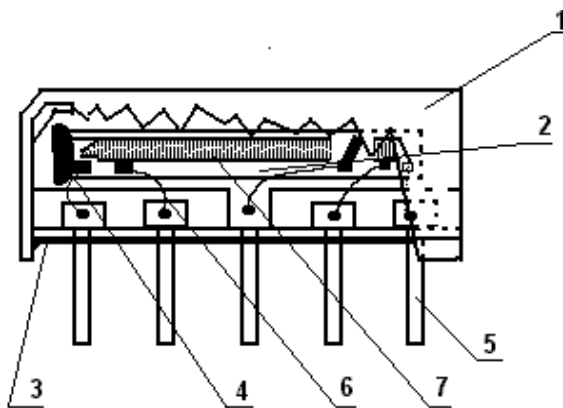
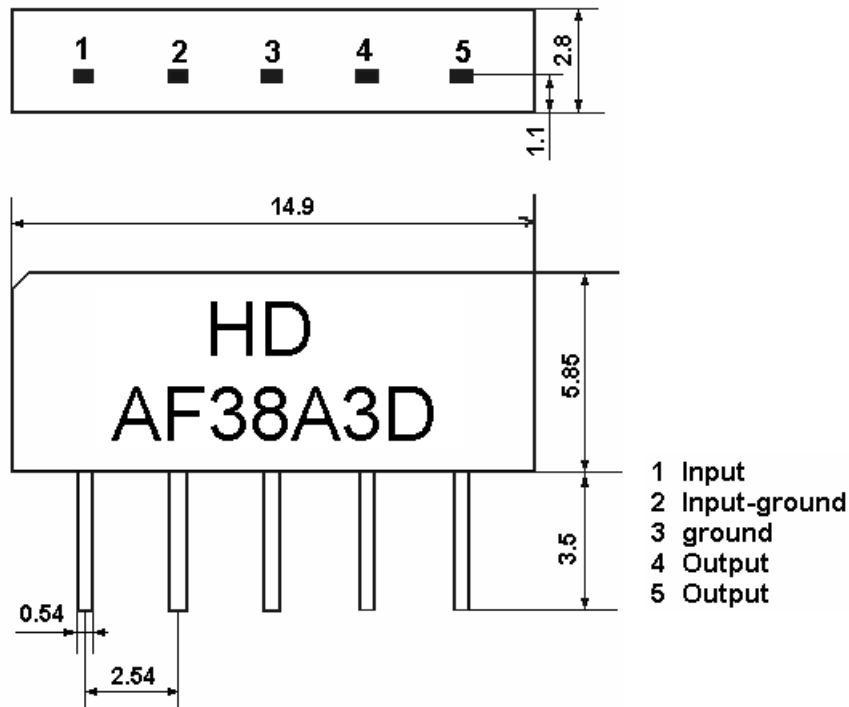
SHOULDER's SAW filter series have broad line up products meeting all broadcast standard including NTSC,PAL and SECAM systems. These filters are composed of two interdigital transducers on a single-crystal, piezoelectrical chip. they are used in electronic equipments such as TV and so on.

2.Construction

2.1 Dimension and materials

Manufacturer's name : SHOULDER ELECTRONICS Co. LTD(CHINA)

Type : AF38A3D



Components	Materials
1.Outer casing	PPS
2.Substrate	Lithium niobate
3.Base	Epoxy resin
4.Absorber	Epoxy resin
5.Lead	Cu alloy+Au plate
6.Bonding wire	AlSi alloy
7.Electrode	Al

3.2 Electrical Characteristics

Source impedance

$Z_S=50\ \Omega$

Load impedance

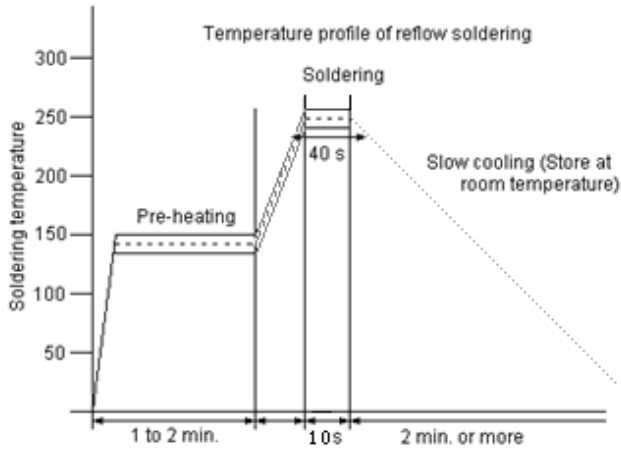
$Z_L=2k\ \Omega //3pF$

$T_A=25^\circ C$

Item	Freq	min	typ	max	
Insertion attenuation Reference level	31.50MHz	10.5	12.0	13.5	dB
Relative attenuation	31.45MHz	-1.0	0.0	1.0	dB
	32.00MHz	-0.9	0.1	1.1	dB
	32.50MHz	0.1	1.1	2.1	dB
	38.00MHz	40.0	48.0	-	dB
	33.57MHz	30.0	37.0	-	dB
	30.00MHz	40.0	52.0	-	dB
	39.50MHz	42.0	58.0	-	dB
	40.00MHz	42.0	62.0	-	dB
Sidelobe	25.00~30.00MHz	37.0	41.0	-	dB
	38.00~45.00MHz	40.0	45.0	-	dB
Temperature coefficient		-72			ppm/k

3.3 Environmental Performance Characteristics

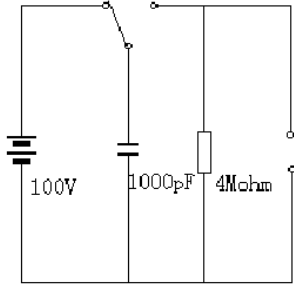
Item	Condition	Specifications	
High temperature	The specimen shall be store at a temperature of $80\pm 2^\circ C$ for $96\pm 4h$. Then it shall be subjected to standard atmospheric conditions for 1h, after which measurement shall be made within 1h.	Mechanical characteristics and specifications in electrical characteristics shall be satisfied. There shall be no excessive change in appearance.	
Low temperature	The specimen shall be store at a temperature of $-20\pm 3^\circ C$ for $96\pm 4h$. Then it shall be subjected to standard atmospheric conditions for 1h, after which measurement shall be made within 1h.		
Humidity	The specimen shall be store at a temperature of $40\pm 2^\circ C$ with relative humidity of 90% to 96% for $96\pm 4h$. Then it shall be subjected to standard atmospheric conditions for 1h, after which measurement shall be made within 1h.		
Thermal shock	The specimen shall be subjected to 8 continuous cycles each as shown below. Then it shall be subjected to standard atmospheric conditions for 1h, after which measurement shall be made within 1h.		
			Temperature
	1	$+25^\circ C \Rightarrow -40^\circ C$	0.5h
	2	$-40^\circ C$	4h
	3	$-40^\circ C \Rightarrow +85^\circ C$	2h
	4	$+85^\circ C$	4h
	5	$+85^\circ C \Rightarrow +25^\circ C$	0.5h
6	$+25^\circ C$	1h	
Resistance to	Reflow soldering method		

<p>Soldering heat</p>	<p>Peak: 255 ± 5 °C, 220 ± 5°C, 40s At electrode temperature of the specimen.</p>  <p>The specimen shall be passed through the reflow furnace with the condition shown in the above profile for 1 time. The specimen shall be stored at standard atmospheric conditions for 1h, after which the measurement shall be made. Test board shall be 1.6 mm thick. Base material shall be glass fabric base epoxy resin.</p>	
<p>Solder ability</p>	<p>Immerse the pins melt solder at $260^{\circ}\text{C} +5/-0^{\circ}\text{C}$ for 5 sec.</p>	<p>More then 95% of total area of the pins should be covered with solder</p>

3.4 Mechanical Test

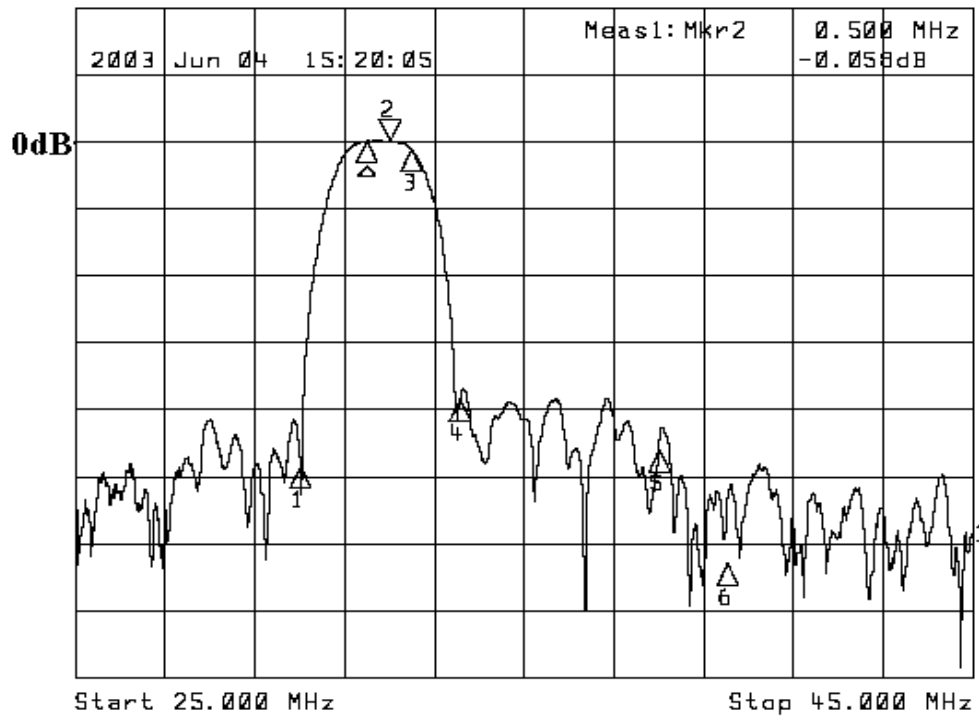
Items	Conditions	Specifications
Vibration	600-3300rpm amplitude 1.5mm 3 directions 2 H each	There shall be no damage.
Drop	On maple plate from 1m high 3 times	
Lead pull	Pull with 1kg force for 30 seconds	
Lead bend	90° bending with 500g weigh 2 times	

3.5 Voltage Discharge Test

Item	Condition	Specifications
Surge	Between any two electrode 	There shall be no damage

3.6 Frequency response

►1: Transmission /M Log Mag 10.0 dB/



1: Mkr (MHz)	dB	2: Mkr (MHz)	dB
1: -1.5000	-48.713		
2: 0.5000	-0.058		
3: 1.0000	-1.273		
4: 2.0700	-38.804		
5: 6.5000	-46.201		
6: 8.0000	-63.179		

