

声表面波滤波器/谐振器

SAW Filter

SAW Resonator

目录

声表面波滤波器-----	1
声表面波谐振器-----	6
封装外型尺寸-----	8

<http://www.siwat.cn>

深圳市星威特电子有限公司

SIWAT
星威特

电话: +86-755-83640421
传真: +86-755-83618105
电子邮箱: sales@siwat.cn
网站: www.siwat.cn

声表面波滤波器 SAW FILTER

电视中频用声表面波滤波器 IF Filter for Intercarrier Applications

图象频率 Picture Carrier (MHz)	型号 Part No.	图-声 间距 PC-SC Distance (MHz)	伴音载频 Sound Carrier (dB)	色度载频 Color Carrier (dB)	制式 Standard	封装 Package
38.00	IF38A1D	4.5	20	1.1	M/N	SIP5D
	IF38B1M	5.5-6.5	17, 19	1.0	D/K, B/G	SIP5K
	IF38B2M	5.5-6.5	16, 16	1.1	D/K, B/G	SIP5K
	IF38B3M	5.5-6.5	15, 16	1.2	D/K, B/G	SIP5K
38.90	IF389A1M	5.5	19	2.7	B/G	SIP5K
	IF389A1D	5.5	19	2.7	B/G	SIP5D
	IF389A2M	5.5	20	3.9	B/G	SIP5K
	IF389A3M	5.5	20	1.0	B/G	SIP5K
	IF389A4M	5.5	20	2.3	B/G	SIP5K
	IF389A5M	4.5	21	1.1	M/N	SIP5K
	IF389B1M	5.5-6.5	21, 20	3.8	B/G, D/K	SIP5K
	IF389B1D	5.5-6.5	21, 20	3.8	B/G, D/K	SIP5D
	IF389B2M	5.5-6.5	19, 19	0.7	B/G, D/K	SIP5K
	IF389B3M	5.5-6.5	19, 20	3.1	B/G, D/K	SIP5K
	IF389B4M	5.5-6.5	15, 15	1.5	B/G, D/K	SIP5K
	IF389B5M	5.5-5.85	14, 14	1.1	B/G, NICAM	SIP5K
	MIF389A1T	5.5-6.5	18, 17	0.3	B/G, D/K	DIP10K
	MIF389A1T	4.5	18	1.9	M/N	DIP10K
IF1044PS	5.5	21	3.0	B/G	SIP5K	
45.75	IF45A1D	4.5	19	1.0	M/N	SIP5D
	IF45A1M	4.5	19	1.0	M/N	SIP5K
	IF45A2M	4.5	20	5.2	M/N	SIP5K
	IF45A2D	4.5	13	0.3	M/N	SIP5D
	IF45A3M	4.5	19	1.3	M/N	SIP5K
	IF45A4M	4.5	17	4.5	M/N	SIP5K
	IF45A5M	4.5	17	1.1	M/N	SIP5K
	IF45A6M	4.5	16	5.1	M/N	W2
SF5241P	4.5	17	1.9	M/N	F12	
58.75	IF58A1M	4.5	18	3.4	M	SIP5K

声表面波滤波器 SAW FILTER

电视伴音声表面波滤波器 IF Filter for Audio Applications

伴音载频 Sound Carrier (MHz)	型号 Part No.	图-声 间距 PC-SC Distance (MHz)	图象载频 Picture Carrier (dB)	制式 Standard	封装 Package
31.50-32.50	AF38A1M	5.5-6.5	-48	D/K, I, B/G	SIP5K
31.50-33.50	AF38A2M	4.5-6.5	-48	D/K, I, B/G, M/N	SIP5K
32.40-32.90	AF389A1D	5.5-6.5	-47	D/K, L, I, B/G	SIP5D
	AF389A1M	5.5-6.5	-46	D/K, L, I, B/G	SIP5K
	AF389A2M	5.5-6.5	-47	D/K, L, I, B/G	SIP5K
	AF389A5M	5.5-6.5	-46	D/K, L, I, B/G	SIP5D
	AF389A6M	5.5-6.5	0	D/K, I, B/G	SIP5K
32.40-34.40	AF389A3M	4.5-6.5	0	D/K, L, I, B/G	SIP5K
33.40	AF389A4M	5.5-5.85	-52	B/G, NICAM	SIP5K
33.50	AF38A1M	4.5	-47	M/N	SIP5K
40.40	AF389A1D	-6.5	-50	L	SIP5D
	AF389A1M	-6.5	-50	L	SIP5K
	AF389A2M	-6.5	-47	L	SIP5K
41.25	AF45A1M	4.5	0	M/N	SIP5K
54.25	AF58A1D	4.5	-50	M	SIP5D

电视视频声表面波滤波器 IF Filter for Video Applications

图象载频 Picture Carrier (MHz)	品名 Part No.	图-声 间距 PC-SC Distance (MHz)	伴音载频 Sound Carrier (dB)	色度载频 Color Carrier (dB)	制式 Standard	封装 Package
38.00	MVF38A1T	5.5-6.5	45,47	2.5	B/G, D/K	DIP10K
	MVF38A1T	4.5	28	3.0	M/N	DIP10K
38.90	VF389A1D	5.5-6.5	24,50	1.0	B/G, D/K, L, I	SIP5D
	VF389A1M	5.5-6.5	24, 50	1.0	B/G, D/K, L, I	SIP5K
	VF389A2M	5.5	52	3.0	B/G	SIP5K
	MVF389A1T	5.5	44	1.3	B/G	DIP10K
	MVF389A1T	6.0-6.5	50, 56	0.8	D/K, L, I	DIP10K
	MVF389A2M	5.5-6.5	41, 56	0.5	B/G, D/K, L	SIP5K
	MVF389A2M	4.5	37	2.6	M/N	SIP5K
	MVF389A2D	5.5-6.5	41, 56	0.5	B/G, D/K, L	SIP5D
45.75	VF45A1M	4.5	32	2.2	M/N	SIP5K
	VF45A2M	4.5	25	0.1	M/N	SIP5K

声表面波滤波器 SAW FILTER

数字电视机、机顶盒用声表面波滤波器

IF Filter Intercarrier/Multistandard Application

中心频率 Center Frequency (MHz)	型号 Part No.	3dB 带宽 3dB Bandwidth (KHz)	制式 Standard	封装 Package
23.40	BF23A1D	1.8	DAB	SIP5D
36.00	BF36A2D	8.1	Dig. terrestrial TV	SIP5D
	BF36A4M	8.0	Dig. CATV	SIP5K
36.125	BF36A1D	8.0	Dig. CATV	SIP5D
	BF36A1M	8.0	Dig. CATV	SIP5K
	BF36A2M	7.0	Dig. CATV	SIP5K
	BF36A3M	6.0	Dig. CATV	SIP5K
37.00	BF37A1M	6.0	Dig. CATV	SIP5K
37.70	BF37A2M	1.4	DAB	F18
38.912	BF389A1M	1.5	DAB	SIP5K
41.25	BF41A1M	0.9	DCR	SIP5K
42.00	BF42A1M	6.0	Dig. CATV	SIP5K
43.00	BF43A4M	6.0	Dig. CATV	SIP5K
43.75	BF43A1D	6.2	Dig. CATV	SIP5D
	BF43A1M	6.0	Dig. CATV	SIP5K
	BF43A2D	6.0	Dig. CATV	SIP5D
	BF43A2M	7.0	Dig. CATV	SIP5K
	BF43A3M	8.0	Dig. CATV	SIP5K
44.00	BF44A1D	6.0	Dig. CATV	SIP5D
	BF44A1M	6.0	Dig. CATV	SIP5K
	BF44A2D	6.2	Dig. CATV	SIP5D
	BF44A3M	1.8, 1.1	DVB-DAVIC	SIP5K
	BF44A4M	7.0	Dig. CATV	SIP5K
	BF44A5M	1.7	Interactive TV	SIP5K
	BF44A6M	8.0	Dig. CATV	SIP5K
46.59	BF46A1M	6.0	Dig. CATV	SIP5K
49.125	BF49A1M	0.72	DAB	SIP5K
54.00	BF54A1M	6.0	Dig. CATV	SIP5K
70.00	BF70A1M	1.0	Dig. CATV	SIP5K
	BF70A2M	10.4	Dig. SAT-TV	SIP5K

声表面波滤波器 SAW FILTER

残留边带滤波器 Vestigial Sideband Filter

图象载频 Picture Carrier (MHz)	型号 Part No.	边带 Vestigial Sideband (MHz)	3dB 带宽 3dB Bandwidth (MHz)	制式 Standard	封装 Package
45.75	VSF45A1M	0.75	6.0	M/N	SIP5K
	VSF45A2M	0.75	7.5	D/K	SIP5K
	VSF45A3M	0.75	6.0	M/N	SIP5K

双伴音或分离伴音滤波器 IF Filters for Quasi/Split Sound Applications

图象载频 Picture Carrier (MHz)	品名 Part No.	图-声 间距 PC-SC Distance (MHz)	伴音载频 Sound Carrier (dB)	色度载频 Color Carrier (dB)	制式 Standard	封装 Package
38.90	QSF389A1M	5.5-6.5	45, 32	1.6	B/G, D/K	SIP5K
45.75	QSF45A1T	4.5	29	0.3	M/N	DIP10K

直播卫星系统用带通滤波器 Band pass Filter for DBS system

中心频率 Center Frequency (MHz)	品名 Part No.	插入损耗 Insertion Loss (dB)	带宽 Pass band width (MHz)		寄生响应 Spurious Response(dB)		封装 Package
			Δf -1dB	Δf -3dB	Lower	Upper	
480	SF480-1	17.6	-	17.6	38	38	TO39A
	SF480A1	14.5	-	17.6	38	38	TO39A
	SF480-2	21.0	23.0	27.0	36	34	TO39B
		20.4	13.0	18.0	36	34	TO39A
	SF480-3	20.0	-	26.6	40	38	

遥控报警用声表面波滤波器 SAW Filter for Remote Control

中心频率 Center Frequency (MHz)	品名 Part No.	公差 Tolerance from Nominal (KHz)	3dB 带宽 3dB Bandwidth (KHz)	插入损耗 Insertion Loss (dB)	封装 Package
311.0625	SF311M	± 85	700	3.5 ± 1.5	TO-39, F11
315.00	SF315M	± 85	700	3.5 ± 1.5	TO-39, F11
418.00	SF418M	± 85	700	3.5 ± 1.5	TO-39, F11
420.30	SF420M	± 85	700	1.7 ± 1.3	TO-39, F11
433.920	SF433M	± 85	700	1.7 ± 1.3	TO-39, F11

声表面波滤波器 SAW FILTER

通讯用声表面波滤波器 SAW Filter for Telecommunication

型号 Part No.	中心频率 Center Frequency (MHz)	通带宽度 Pass band Width (MHz)	插入损耗 Insertion Loss (dB)	阻带衰耗 Stop-band Attenuation (dB)		输入/输出阻抗 Input/Output Impedance (Ω)		封装 Package
				Fo-100 ~ Fo-40.8	Fo+40.8 ~ Fo+100	A Type	B Type	
SF_A SF_B	<1000	Fo \pm 2.0	4.5dB max.	55dB min.	55dB min.	55	150	F11
SF_C SF_D	<1000	Fo \pm 5.0	4.0dB max.	Fo-100 ~ Fo-40.8 55dB min.	Fo+39.8 ~ Fo+45.8 55dB min.	55	150	F11

声表面波谐振器 SAW RESONATOR

单端对谐振器 One Port Resonator

中心频率 Center Frequency (MHz)	型号 Part No.	频率精度 Frequency Tolerance (MHz)	插入损耗 Insertion Attenuation (dB)	封装 Package
224.500	SR224M	±100	2.5	TO-39, F11
260.000	SR260M	±100	2.5	TO-39, F11
297.800	SR297M	±100	2.5	TO-39, F11
303.875	SR303K	±100	2.5	TO-39, F11
303.825	SR303M	±100	2.5	TO-39, F11
304.300	SR304M	±100	2.5	TO-39, F11
308.500	SR308M	±100	2.5	TO-39, F11
310.000	SR310M	±100	2.5	TO-39, F11
311.063	SR311M	±100	2.5	TO-39, F11
314.500	SR314M	±100	2.5	TO-39, F11
315.000	SR315M	±100	2.5	TO-39, F11
318.000	SR318M	±100	2.5	TO-39, F11
325.000	SR325M	±100	2.5	TO-39, F11
335.100	SR335.1M	±100	2.5	TO-39, F11
340.000	SR340M	±100	2.5	TO-39, F11
345.000	SR345M	±100	2.5	TO-39, F11
360.000	SR360M	±100	2.5	TO-39, F11
372.500	SR372.5M	±100	2.5	TO-39, F11
395.00	SR395M	±75	2.5	TO-39, F11
403.050	SR403M	±75	2.5	TO-39, F11
418.000	SR418M	±75	2.5	TO-39, F11
423.220	SR423M	±75	2.5	TO-39, F11
426.062	SR426M	±75	2.5	TO-39, F11
433.420	SR433.42M	±75	2.5	TO-39, F11
433.920	SR433M	±75	2.5	TO-39, F11
447.625	SR447M	±100	2.5	TO-39, F11
479.500	SR479M	±150	2.5	TO-39, F11
857.650	SR857.65M	±250	2.5	TO-39, F11
868.00	SR868M	±250	2.5	TO-39, F11
868.350	SR868.35M	±250	2.5	TO-39, F11
868.950	SR868.95M	±250	2.5	TO-39, F11
915.000	SR915M	±250	2.5	TO-39, F11

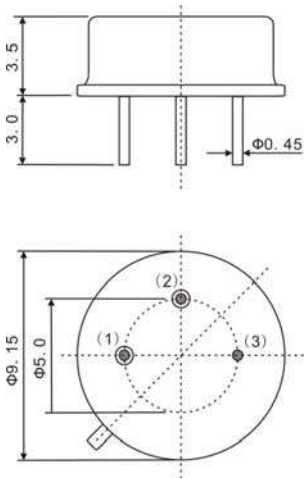
声表面波谐振器 SAW RESONATOR

双端对谐振器 Two Port Resonator

中心频率 Center Frequency (MHz)	型号 Part No.	频率精度 Frequency Tolerance (MHz)	插入损耗 Insertion Attenuation (dB)	封装 Package
224.500	SR224D	±50	7.5	TO-39, F11
303.285	SR303D	±100	7.5	TO-39, F11
307.300	SR307D	±100	7.5	TO-39, F11
335.100	SR335.1D	±100	7.5	TO-39, F11
315.000	SR315D	±100	7.5	TO-39, F11
380.000	SR380D	±100	7.5	TO-39, F11
384.050	SR384D	±100	7.5	TO-39, F11
391.850	SR391D	±100	7.5	TO-39, F11
402.550	SR402D	±100	7.5	TO-39, F11
403.550	SR403D	±100	7.5	TO-39, F11
414.250	SR414D	±100	7.5	TO-39, F11
418.000	SR418D	±75	7.5	TO-39, F11
423.220	SR423D	±75	7.5	TO-39, F11
433.920	SR433D	±75	7.5	TO-39, F11
434.020	SR434D	±75	7.5	TO-39, F11
437.030	SR437D	±75	7.5	TO-39, F11
447.730	SR447D	±75	7.5	TO-39, F11
479.500	SR479D	±75	7.5	TO-39, F11
824.250	SR824.25D	±250	7.5	TO-39, F11
868.500	SR868.50D	±250	7.5	TO-39, F11

声表产品封装外型尺寸 SAW Components Package Dimensions

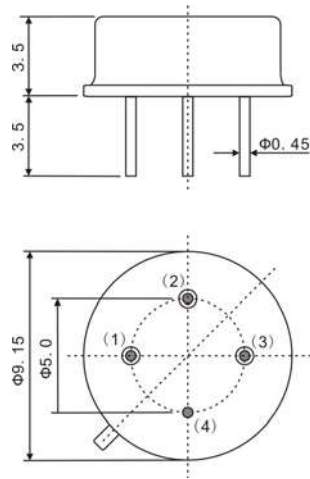
TO39A



- (1) : Input/Output
- (2) : Output/Input
- (3) : Case Ground

(In mm)

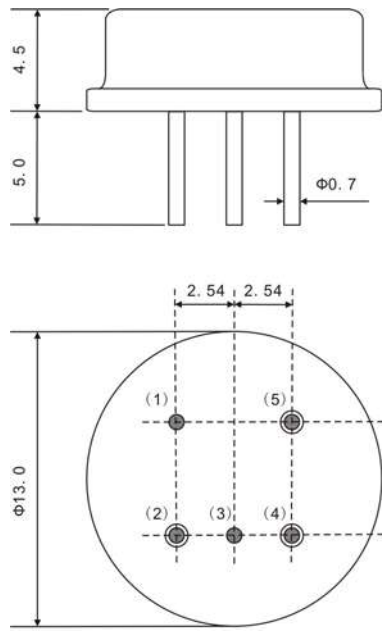
TO39B



- (1) : TX
- (2) : ANT
- (3) : RX
- (4) : Case Ground

(In mm)

W2



- (2) : Input
- (1) (3) : Ground
- (4) (5) : Output

(In mm)